



Beautiful showers with Bohle

# Bath and shower fittings

Shower door hinges · Sliding doors · Accessories



# Bath and shower products

Discover our extensive portfolio of shower door fittings. Regardless of whether you are looking for hinges or swing door hinges, shower sliding doors or the right accessories, the Bohle bathroom range has the right product for you. Because yesterday's bathrooms are tomorrow's wellness oases.

## About us

When it comes to glass products, tools and fittings, we have secured a very specific place for ourselves: the first!

We are Europe's leading manufacturer and supplier of glass products. We not only support glass processors, but also trade and industry. Our portfolio includes a full range of first-class products. These include fittings for glass railings, sliding doors and showers, handling devices and tools as well as processing materials and industrial products.

Our extensive portfolio includes solutions for bathrooms and showers, interior and exterior fittings and glass railings. One key factor in our success is that we develop and produce many of our products at our headquarters in Haan.

## Your benefits

- Comprehensive range - the right product for every application and every budget
- Extensive range of accessories from a single source
- Quick measurements thanks to digital measurement sheets
- Short delivery times and high stock availability
- Technical support with tender texts and planning documents, as well as technical advice, e.g. for major projects worldwide
- Convenient online ordering via the Bohle online shop

## Our contribution to sustainability

A sustainable approach to the environment and resources is very important to us. That is why we have produced this catalogue as sustainably as possible. We also operate according to strict environmental standards for our products, production and logistics and not only rely on sustainable processes in our developments, but also on materials of the highest raw material quality.



# UV Bonding Training

## Over 30 years of experience

With over 30 years' experience in glass bonding, Bohle is the perfect partner to help you expand into UV bonding or develop your existing portfolio. Bohle adhesives possess extremely high bond strength, very short processing times, and have a demonstrable track record of success. Add to that low investment requirements and virtually unlimited design possibilities and UV bonding offers a genuine, low-risk growth opportunity for every business with glass at its heart.

## UV Bonding programme

Participants in a one day UV Bonding programme will gain a complete understanding and knowledge of the correct method for UV bonding glass to glass and glass to metal, as well as gaining competency and confidence to pursue this complex yet highly lucrative glass furniture process.



### Who is it for?

Those who have never been trained. Those who have never bonded. Those who are interested in seeing what it's all about.



### Content

½ practical, ½ theory Group work, Simulation, Demonstration, Product construction.



### How long is the course?

Each training course is one day, 9.30 am – 4.00 pm. Participants will take part in the construction of bonded items using a wide range of specialist tools, bonding materials, pre-treatments and adhesives.

More informations to the seminars in UK:



Or send us an email via our contact form:





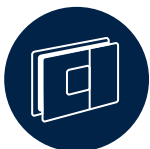
# Customer Service

## We are here for you

Bohle's customer service team is your reliable partner when it comes to planning, specifying and project support. Our experienced team of product experts is at your side with customised solutions. Together we can help to make your orders and projects a success so that your customer is ultimately satisfied.

If you have a question, we will do our best to find the answer. You can rely on us!

- Support with technical planning, including CAD drawings
- Advice on the right product selection
- Customised quotations
- Customised product training and seminars for your team
- Installation tips for final realisation



For price or product enquiries, quotations, orders and all other enquiries:  
@ [info@bohle.ltd.uk](mailto:info@bohle.ltd.uk)  
☎ 0800 616151  
F 0161 344 0111

For invoice enquiries, copy paperwork, statements and remittances:  
@ [accounts@bohle.ltd.uk](mailto:accounts@bohle.ltd.uk)  
☎ 0161 342 1109



For requests concerning the range of fittings such as railings, showers, sliding doors and much more:  
@ [hardware@bohle.de](mailto:hardware@bohle.de)  
☎ +49 (0) 2129 5568 951

For optimal support in project planning as well as questions about installation or calculations:  
@ [technical-hardware@bohle.de](mailto:technical-hardware@bohle.de)  
☎ +49 (0) 2129 5568 953

# Online shop

## Convenient shopping experience

Whether from your smartphone, tablet or computer - you can access and order from our online shop easily from any device. You will find a comprehensive range of online products related to our favourite material, glass. All the necessary technical details, tips and tricks for installation, new products and a comprehensive service, e.g. with our digital measurement sheets, are available. Order directly from the website to the building site, with transparent costs and a fast delivery service.



### Note

For items not in stock, or for urgent requirements, please call Customer Services for lead times on 0800 616151.

## Quick order in your customer account

You can use the upload function to upload your order list or enter the desired article numbers directly in the order form. It couldn't be easier. To do this, log in and select the Quick order menu item in your customer account.

The screenshot displays the Bohle online shop interface. At the top, there is a dark blue navigation bar with the Bohle logo on the left, a search bar in the center, and icons for user account, heart, shopping cart, and UK on the right. Below the navigation bar, there are links for 'Product groups', 'Service', and 'Online Shop'. The main content area is titled 'Quick order' and contains an 'Order form' section. The 'Order form' section has a heading 'Order form' and a paragraph explaining the process: 'You know the item number or the name of your desired product? Then simply enter it in the left column, select the appropriate product from the search suggestions and finally add the order quantity. With a click on the green button, all products land directly in your shopping cart.' Below this text, there is a 'CLEAR LIST' button with a trash icon and an 'ADD TO SHOPPING CART' button with a green background. The form itself has two columns: 'Product' and 'Quantity'. The 'Product' column has a text input field with the placeholder 'Enter product number or product name...'. The 'Quantity' column has a numeric input field with a value of '0' and minus/plus buttons. Below the input fields, there is a row of product information: 'B05410344 - Juna® shower door hinge, glass-glass 135° (Colour scheme: Chrome-plated shiny)' with a quantity of '1' and minus/plus buttons. Below the 'Order form' section, there is an 'Order list upload' section with a heading 'Order list upload' and a paragraph: 'If you have already summarised your order in a list, you can now take an order shortcut. Simply move the file into the window provided. For a smooth upload, we recommend a table with two columns. While column 1 contains the exact product number (e.g. B088.01), column 2 contains the order quantity. Click on the green button to add the products to your shopping basket.' Below this text, there is an 'UPLOAD FILE' button with a document icon.

## Digital measurement sheets

Quick, easy and digital. Select your desired shower door hinge range and the planned installation situation and get the right glass dimensions in no time at all. The corresponding article list will help you with your order.

**Shower Door Hinge**  
**Juna**  
Type 315

Height chrome profile  
Stainless steel effect  
Tint  
Shower track with roller (chrome)  
Shower track with roller (chrome)  
Concealed end lock

Tab recess dimension  
 Pushed  Sanded

www.bohle.com

**Seals**

Sealing Solution Opening Side  
Sealing only with magnet profile for 90° swing door  
Sealing only with magnet for 90° swinging door  
Sealing only with rollers

Sealing Solution Door Side  
Shower door seal with roller and/or roller  
Shower door seal with roller and/or roller

Sealing Solution Hinge Side  
Shower door seal with rollers  
Without roller

www.bohle.com

**Glass Order**

The foil was treated with the greatest possible care. Nevertheless, we are not liable for the transparency, accuracy and precision of the measurements of the presented glass dimensions with the help of the foil. A corresponding guarantee or liability is expressly excluded.

Please use the latest version of the foil: www.bohle.com

www.bohle.com

**Hardware order**

Shower door hinge Juna, chrome, 90°  
Hinge Chrome, chrome, shower door  
Download for shower track system  
Shower door seal with magnet 90° for single-action doors  
Shower door seal with rollers  
Shower door seal with roller and/or roller

**Additional Articles**

www.bohle.com

**Search. Find. Download. Fill in. Send off.**

You will find our digital measurement sheets here:



# 100 years of Bohle. 100 years Made in Germany.

## How we stay ahead of the latest developments?

By developing them ourselves!

Our own developments are our trademark. This has been the case for around 100 years. From the Silberschnitt glass cutter to the Veribor suction lifter to our glass fitting solutions. The patents from our development department shape the industry.

*"When developing Juna®, we focussed on simple and clever installation."*



Frank, Juna® product developer

## Quality in three steps

By that we mean our team of developers, specialists who set new standards in terms of workmanship and technology. The key to our success is down to three rules: Firstly, we bring high-quality and durable products to the market. Secondly, we simplify processes through innovative techniques. And thirdly, we make no compromises when it comes to safety.



## Strictest quality tests



All our products go through multiple quality controls.



Many products are tested according to DIN standards and have test certificates.



Our quality management system has been regularly certified according to ISO 9001 since 1998.

# Juna® – Innovation from the start

## Sophisticated technology meets first-class design

Developed and designed by Bohle, the Juna shower door hinge combines aesthetics and functionality with quality and “Made in Germany” workmanship. Minimum gap dimensions and concealed screws emphasize the supreme quality of this swinging door hinge. In addition, Juna is manu-factured from the highest quality materials.

- Durability: High-quality brass and stainless steel materials inside the hinge
- Attractive aesthetics: Minimised gap dimensions and precise fit of the cover caps
- Quick and easy installation: Patented zero position adjustment with just one tool



Juna has been successfully tested for 100,000 swing door cycles by the ift Rosenheim. (DIN EN 14428:2005-02, section 5.5)



## Strikingly striking

The new surfaces bring colour into play - and into the bathroom. The desire for individuality in the bathroom is growing. Shapes, colours and furnishings are coordinated and give the room its own style. The new finishes from Juna® now bring even more variety to the shower.



**Colour variation for Juna®**  
from page 31 and for Bilbao  
Select from page 62



# Juna<sup>®</sup> – Innovation from the start

## Perfect zero position

Thanks to the innovative clamping technology, no disturbing notches are produced on the hinge axis – for a precise adjustment of the zero position down to the millimetre. The clamping screws and the zero position fixing screw have uniform screw heads which can be conveniently tightened with just one tool. The centred mounting plate enables the optimum positioning of the cover cap. A stable plug connection guarantees its firm and precise fit.



## Efficient mounting with only one tool

The clamping screws and the zero position fixing screw have uniform TX30 screw heads which can be conveniently tightened using only one tool. The troublesome exchange of screwing tools while working is therefore a thing of the past. In addition, the elongated holes for the wall connection provide increased comfort when adjusting the hinge. Two-part clamping plates also enable deeper threaded holes in the fitting and thus ensure a safe grip. At the same time, the hinge is protected against deformations on the outside.

- Uniform screw heads
- TX 30 screw heads
- Two-part clamping plate
- Hinge is protected against distortion

## Precise fit of cover caps

The high quality design of Juna stands out thanks to its minimum gap dimensions. One of the features is the precise fit of the cover caps. For this purpose, Bohle has developed an 4-point fixing mechanism which fixes the caps precisely in place. This is made possible by four small centring pins and the tailor-made seating in the hinge. In addition, water resistant rubber rings provide additional hold. In this way, the cover caps are maintained in their exact position for years, without slipping.





## Product range

Series overview	14
Installation settings	17

							
surface	chrome-plated, stainless steel coloured, black, brass polished, brass brushed, copper brushed, graphite, white	chrome-plated, stainless steel coloured, black	chrome-plated, stainless steel coloured, black	chrome-plated, stainless steel coloured	chrome-plated, stainless steel coloured	chrome-plated, stainless steel coloured, black, brass polished, brass brushed	chrome-plated, stainless steel coloured
stop							
swing	✓	✓	✓	✓	✓	✓	✓
glass thickness (mm)	6 - 10	6 - 10	6 - 10	6 - 12	6 - 12	6 - 12	6 - 12
max. door weight (kg)	10	32	50	50	40	40	36
max. door width (mm)	1000	800	1000	1000	1000	1000	800
max. door height (mm)	220	200	200	200	200	200	200
cont. sealing tape							
without seal	✓	✓	✓	✓	✓	✓	✓
zero position adjustment	✓	✓	✓	✓	✓	✓	✓
self-closing from approx.	20°	20°	15°		15°	15°	15°
opening angle	90°	90°	90°	90°	90°	90°	90°
coated screws (hinge)	✓	✓	✓				

## Shower door fittings

Swing shower door hinges	28
Stop shower door hinges	124
Vigo walk-in shower	156
MasterTrack® ST sliding shower door system	159



## Reinforcement bars

Round 12	170
Round 19	174
Square 12	182
Square 15	186



## Shower door handles, towel rails and door stops

Shower door knobs and handles	190
Towel rails	200
Door stops	202





---

## Shower door seals and glazing profiles

---

Shower door seals	207
Thresholds	222
Support profiles	224
Glazing profiles	227



---

## Mirror systems

---

Mirror mounting	236
Mirror profiles	250
Mirror demisting	254



---

## Useful helpers

---

Aqua Drill Pro wet drilling machine	256
Veribor® vacuum technology	260
Consumables	265



---

## Cleaning and surface protection

---

Cleaning	272
Surface protection	276

# Shower door fittings

## Swing shower door hinges



	Juna®	Juna® Sauna	Santos	Bilbao Premium HD	Bilbao Premium	Bilbao Select	Bilbao
surface	chrome-plated, stainless steel coloured, black, brass polished, brass brushed, copper brushed, graphite, white	chrome-plated, stainless steel coloured, black	chrome-plated, stainless steel coloured, black	chrome-plated, stainless steel coloured	chrome-plated, stainless steel coloured	chrome-plated, stainless steel coloured, black, brass polished, brass brushed	chrome-plated, stainless steel coloured
stop							
swing	✓	✓	✓	✓	✓	✓	✓
glass thickness ESG (mm)	6 - 10	6 - 10	8 - 10	8 - 12	8 - 12	8 - 12	8 - 12
max. door weight (kg)	50	32	50	50	40	40	36
max. door width (mm)	1000	800	1000	1000	1000	1000	900
max. door height (mm)	2250	2000	2000	2000	2000	2000	2000
cont. sealing tape							
without seal	✓	✓	✓	✓	✓	✓	✓
zero position adjustment	✓	✓	✓	✓	✓	✓	
self-closing from approx.	20°	20°	15°		15°	15°	15°
opening angle	90°	90°	90°	90°	90°	90°	90°
concealed screws (hinge)	✓	✓	✓				
concealed wall fittings (hinge)	✓	✓	✓	✓	✓		
concealed screws (connector)	✓	✓	✓	✓	✓		
concealed wall fittings (connector)	✓	✓	✓	✓	✓		
rise/fall function							
flush							
SDH glass wall 90°	✓	✓	✓	✓	✓	✓	✓
SDH glass wall 180°			✓				
SDH glass-glass 90°	✓		✓		✓*1*2	✓*1	
SDH glass-glass 135°	✓*1 *2 *3		✓			✓*1	
SDH glass-glass 180°	✓	✓	✓	✓	✓*1*2	✓	✓*1*2
AC glass wall 90°	✓		✓	✓	✓*1*2	✓*1	✓
AC glass wall 135°							
AC glass wall 180°			✓				
AC glass wall var. 45-180°			✓				
AC glass-glass 90°	✓		✓			✓*1*2	✓
AC glass-glass 135°	✓*1 *2 *3		✓				
AC glass-glass 180°			✓				✓
AC glass-glass var. 45-180°			✓				
page	30	32	40	51	55	61	73

\*1 = chrome-plated

\*2 = stainless steel colour

\*3 = black

\*4 = aluminium coloured polished shiny

\*5 = aluminium coloured matt

SDH = Shower door hinge

AC = angle connector



## Swing shower door hinges



	Barcelona Select	Barcelona	Granada	Art	Plan Artist FM	Aqua	Aqua light
surface	chrome-plated, stainless steel coloured	chrome-plated, stainless steel coloured	chrome-plated, stainless steel coloured	chrome-plated	chrome-plated	aluminium coloured polished shiny, aluminium coloured matt	aluminium coloured polished shiny, aluminium coloured matt, black
stop							
swing	✓	✓	✓	✓	✓	✓	✓
glass thickness ESG (mm)	8 - 12	8 - 12	8 - 10	6 - 10	8	6 - 8	8
max. door weight (kg)	40	36	35	35	38	37	37
max. door width (mm)	1000	900	900	750	900	900	900
max. door height (mm)	2000	2000	2000	2000	2100	2187	2187
cont. sealing tape					✓		
without seal	✓	✓	✓	✓			
zero position adjustment	✓		✓			✓	✓
self-closing from approx.	15°	15°	15°	15°	60°	60°	60°
opening angle	90°	90°	90°	90°	90°	90°	90°
concealed screws (hinge)					✓		
concealed wall fittings (hinge)				✓	✓	✓	✓
concealed screws (connector)					✓	✓	✓
concealed wall fittings (connector)				✓	✓	✓	✓
rise/fall function					✓	✓	✓
flush					✓		
SDH glass wall 90°	✓	✓	✓	✓	✓	✓	✓
SDH glass wall 180°							
SDH glass-glass 90°	✓*1		✓*1		✓		
SDH glass-glass 135°	✓*1		✓*1		✓		
SDH glass-glass 180°	✓	✓	✓*1	✓	✓	✓	✓*4*5
AC glass wall 90°	✓	✓	✓	✓	✓	✓	✓*4*5
AC glass wall 135°							
AC glass wall 180°							
AC glass wall var. 45-180°							
AC glass-glass 90°	✓	✓	✓*1	✓	✓		
AC glass-glass 135°					✓		
AC glass-glass 180°							
AC glass-glass var. 45-180°							
page	80	88	93	102	108	120	120

\*1 = chrome-plated

\*2 = stainless steel colour

\*3 = black

\*4 = aluminium coloured polished shiny

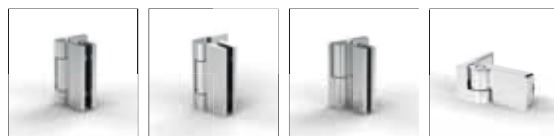
\*5 = aluminium coloured matt

SDH = Shower door hinge

AC = angle connector

# Shower door fittings

## Stop shower door hinges



	Madrid	Avila	Arta	Lugo FM
surface	chrome-plated, stainless steel coloured, black	chrome-plated	chrome-plated, stainless steel coloured, black	chrome-plated
stop	✓	✓	✓	✓
swing				
glass thickness ESG (mm)	6 - 10	6 - 10	6 - 10	6 - 8
max. door weight (kg)	45	45	40	36
max. door width (mm)	1000	1000	1000	900
max. door height (mm)	2250	2250	2000	2000
cont. sealing tape	✓	✓	✓	✓
without seal				
zero position adjustment			✓	
self-closing from approx.			60°	60°
opening angle	90-180°	90-180°	90-180°	90-180°
concealed screws	✓	✓	✓	✓
concealed wall fittings	✓	✓	✓	✓
rise/fall function			✓	✓
flush				✓
SDH glass wall 90° outwards	✓	✓	✓	✓
SDH glass wall 90° inwards	✓	✓		
SDH glass wall 180°	✓			
SDH glass-glass 90°				
SDH glass-glass 135°	✓		✓	
SDH glass-glass 180°	✓	✓	✓	
AC glass wall 90°	✓	✓	✓	✓
AC glass wall 135°				✓
AC glass wall 180°	✓		✓	
AC glass wall var. 45-180°	✓		✓	
AC glass-glass 90°	✓	✓	✓	
AC glass-glass 135°	✓		✓	✓
AC glass-glass 180°	✓		✓	
AC glass-glass var. 45-180°	✓		✓	
page	125	134	140	149

\*1 = chrome-plated

\*2 = stainless steel colour

\*3 = black

\*4 = aluminium coloured polished shiny

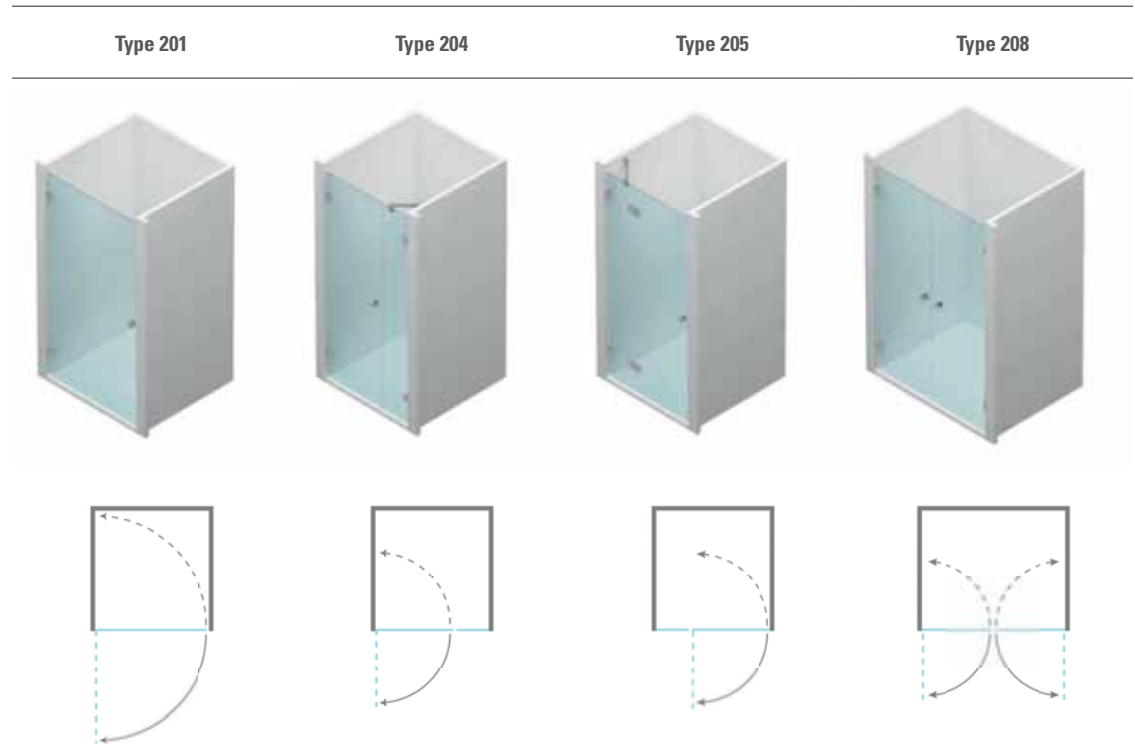
\*5 = aluminium coloured matt

SDH = Shower door hinge

AC = angle connector

# Installation settings

## Recess showers



Juna®	201 (SD)	204 (SD)	205 (SD)	208 (SD)
Santos	201 (SD)	204 (SD)	205 (SD)	208 (SD)
Bilbao Premium HD	201 (SD)	204 (SD)	205 (SD)	208 (SD)
Bilbao Premium	201 (SD)	204 (SD)	205 (SD)	208 (SD)
Bilbao Select	201 (SD)	204 (SD)	205 (SD)	208 (SD)
Bilbao	201 (SD)	204 (SD)	205 (SD)	208 (SD)
Barcelona Select	201 (SD)	204 (SD)	205 (SD)	208 (SD)
Barcelona	201 (SD)	204 (SD)	205 (SD)	208 (SD)
Granada	201 (SD)	204 (SD)	205 (SD)	208 (SD)
Art	201 (SD)	204 (SD)	205 (SD)	208 (SD)
Plan Artist FM	201 (SD)	204 (SD)	205 (SD)	208 (SD)
Aqua	201 (SD)	204 (SD)	205 (SD)	208 (SD)
Aqua light	201 (SD)	204 (SD)	205 (SD)	208 (SD)
Madrid	201 (SAD)	204 (SAD)	205 (SAD)	208 (SAD)
Avila	201 (SAD)	204 (SAD)	205 (SAD)	208 (SAD)
Arta	201 (SAD)	204 (SAD)	205 (SAD)	208 (SAD)
Lugo FM	201 (SAD)	204 (SAD)	205 (SAD)	208 (SAD)

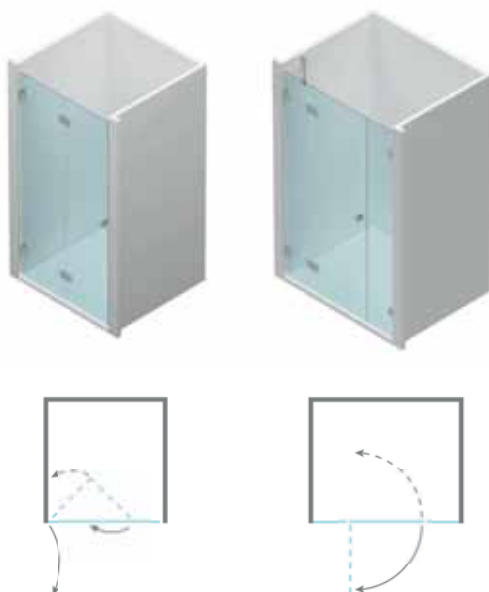
\*1 = Santos with Madrid  
 SAD = single-action door  
 SD = swing door

# Installation settings

## Recess showers

Type 209

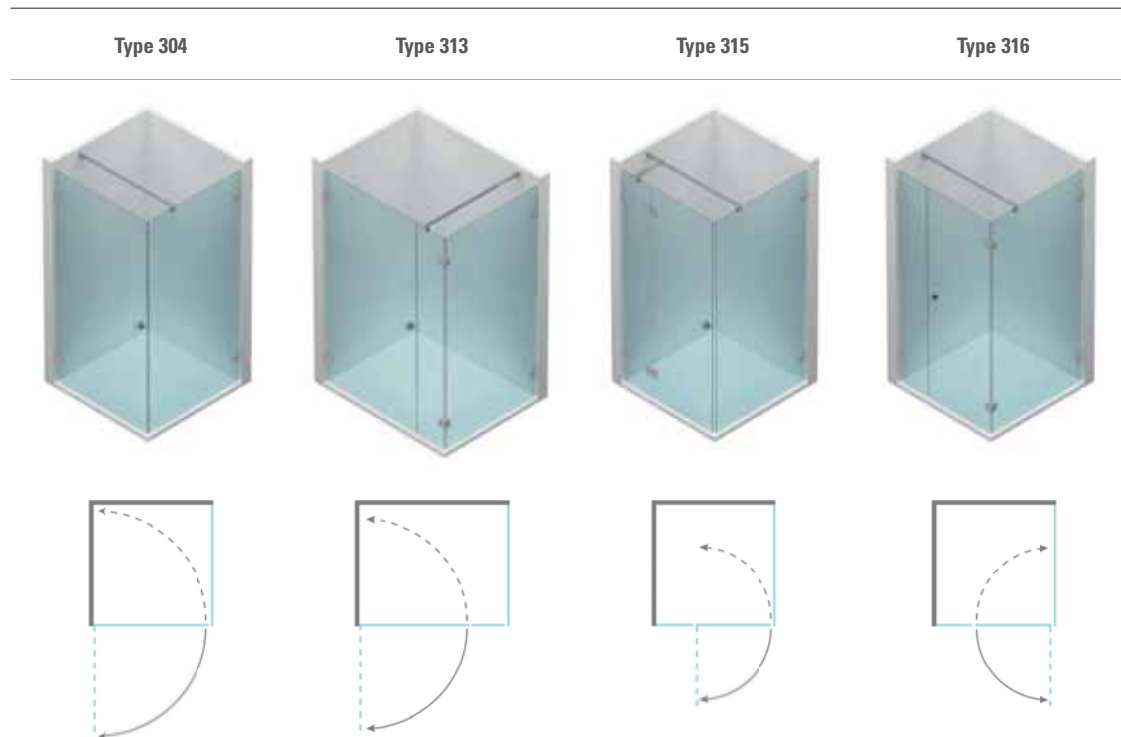
Type 215



Juna®		215 (SD)
Santos	209 (SD) *1	215 (SD)
Bilbao Premium HD		215 (SD)
Bilbao Premium		215 (SD)
Bilbao Select		215 (SD)
Bilbao		215 (SD)
Barcelona Select		215 (SD)
Barcelona		215 (SD)
Granada		215 (SD)
Art		215 (SD)
Plan Artist FM		215 (SD)
Aqua		215 (SD)
Aqua light		215 (SD)
Madrid	209 (SAD) *1	215 (SAD)
Avila	209 (SAD)	215 (SAD)
Arta	209 (SAD)	215 (SAD)
Lugo FM		215 (SAD)

\*1 = Santos with Madrid  
 SAD = single-action door  
 SD = swing door

## Corner showers



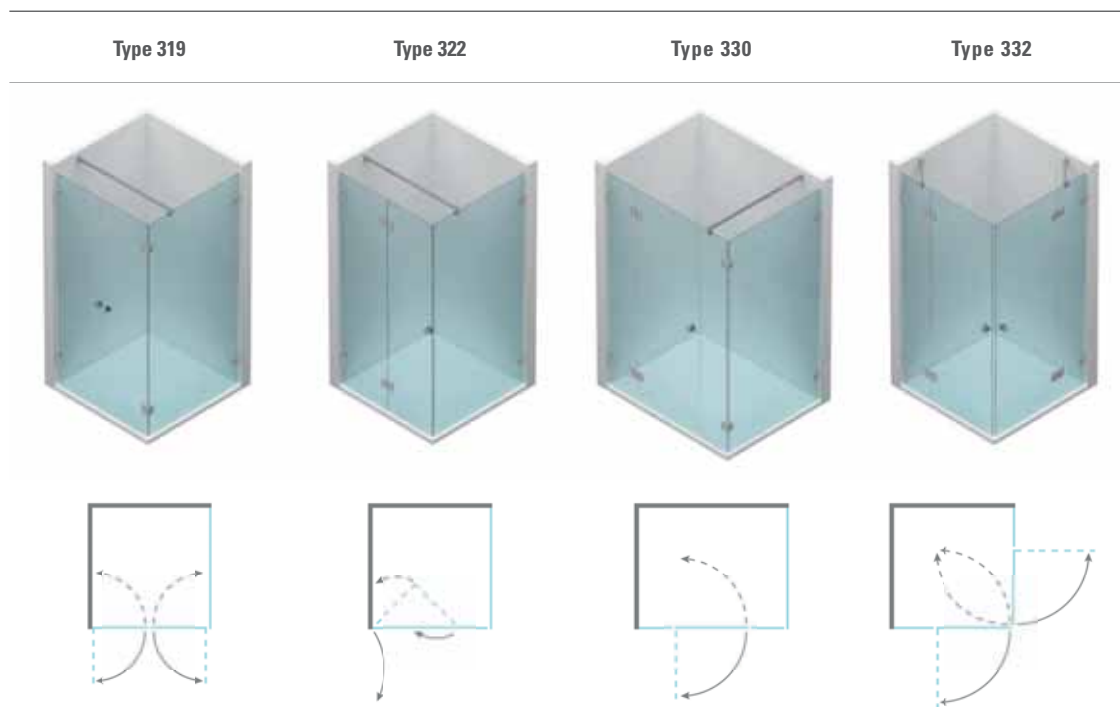
Juna®	304 (SD)	313 (SD)	315 (SD)	316 (SD)
Santos	304 (SD)	313 (SD)	315 (SD)	316 (SD)
Bilbao Premium HD	304 (SD)		315 (SD)	
Bilbao Premium	304 (SD)		315 (SD)	316 (SD)
Bilbao Select	304 (SD)	313 (SD)	315 (SD)	316 (SD)
Bilbao	304 (SD)	313 (SD)	315 (SD)	
Barcelona Select	304 (SD)	313 (SD)	315 (SD)	316 (SD)
Barcelona	304 (SD)	313 (SD)	315 (SD)	
Granada	304 (SD)	313 (SD)	315 (SD)	316 (SD)
Art	304 (SD)	313 (SD)	315 (SD)	
Plan Artist FM	304 (SD)	313 (SD)	315 (SD)	
Aqua	304 (SD)		315 (SD)	
Aqua light	304 (SD)		315 (SD)	
Madrid	304 (SAD)	313 (SAD)	315 (SAD)	
Avila	304 (SAD)	313 (SAD)	315 (SAD)	
Arta	304 (SAD)	313 (SAD)	315 (SAD)	
Lugo FM	304 (SAD)	313 (SAD)	315 (SAD)	

\*1 = Santos with Madrid  
 SAD = single-action door  
 SD = swing door



# Installation settings

## Corner showers



	Type 319	Type 322	Type 330	Type 332
Juna®	319 (SD)		330 (SD)	332 (SD)
Santos	319 (SD)	322 (SD) *1	330 (SD)	332 (SD)
Bilbao Premium HD				332 (SD)
Bilbao Premium	319 (SD)			332 (SD)
Bilbao Select	319 (SD)		330 (SD)	332 (SD)
Bilbao			330 (SD)	332 (SD)
Barcelona Select	319 (SD)		330 (SD)	332 (SD)
Barcelona			330 (SD)	332 (SD)
Granada	319 (SD)		330 (SD)	332 (SD)
Art			330 (SD)	332 (SD)
Plan Artist FM	319 (SD)		330 (SD)	332 (SD)
Aqua				332 (SD)
Aqua light				332 (SD)
Madrid		322 (SAD) *1	330 (SAD)	332 (SAD)
Avila		322 (SAD)	330 (SAD)	332 (SAD)
Arta		322 (SAD)	330 (SAD)	332 (SAD)
Lugo FM			330 (SAD)	332 (SAD)

\*1 = Santos with Madrid  
 SAD = single-action door  
 SD = swing door

## Corner showers

Type 340



## 5-corner showers

Type 515



Type 532



Juna®	
Santos	340 (SD) *1
Bilbao Premium HD	
Bilbao Premium	
Bilbao Select	
Bilbao	
Barcelona Select	
Barcelona	
Granada	
Art	
Plan Artist FM	
Aqua	
Aqua light	
Madrid	340 (SAD) *1
Avila	340 (SAD)
Arta	340 (SAD)
Lugo FM	

Juna®	515 (SD)	532 (SD)
Santos	515 (SD)	532 (SD)
Bilbao Premium HD		
Bilbao Premium		
Bilbao Select	515 (SD)	532 (SD)
Bilbao		
Barcelona Select	515 (SD)	532 (SD)
Barcelona		
Granada	515 (SD)	532 (SD)
Art		
Plan Artist FM		
Aqua		
Aqua light	515 (SD)	532 (SD)
Madrid	515 (SAD)	532 (SAD)
Avila		
Arta	515 (SAD) *2	532 (SAD)
Lugo FM		

\*1 = Santos with Madrid  
SAD = single-action door  
SD = swing door

# Installation settings

## U-shaped showers

Type 233 A

Type 233 B

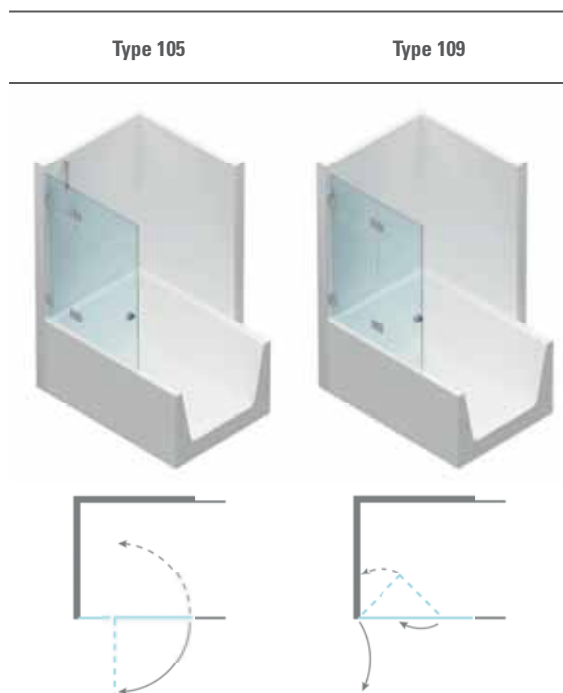
Type 233 C



Juna®	233 A (SD)	233 B (SD)	233 C (SD)
Santos	233 A (SD)	233 B (SD)	233 C (SD)
Bilbao Premium HD			
Bilbao Premium			233 C (SD)
Bilbao Select	233 A (SD)	233 B (SD)	233 C (SD)
Bilbao			
Barcelona Select	233 A (SD)	233 B (SD)	233 C (SD)
Barcelona	233 A (SD)		
Granada	233 A (SD)	233 B (SD)	233 C (SD)
Art	233 A (SD)		
Plan Artist FM	233 A (SD)	233 B (SD)	233 C (SD)
Aqua			
Aqua light			
Madrid	233 A (SAD)		
Avila	233 A (SAD)		
Arta	233 A (SAD)		
Lugo FM	233 A (SAD)		

\*1 = Santos with Madrid  
 SAD = single-action door  
 SD = swing door

## Bath centrepieces



Juna®	105 (SD)	
Santos	105 (SD)	109 (SD) *1
Bilbao Premium HD	105 (SD)	
Bilbao Premium	105 (SD)	
Bilbao Select	105 (SD)	
Bilbao	105 (SD)	
Barcelona Select	105 (SD)	
Barcelona	105 (SD)	
Granada	105 (SD)	
Art	105 (SD)	
Plan Artist FM	105 (SD)	
Aqua		
Aqua light		
Madrid	105 (SAD)	109 (SAD) *1
Avila	105 (SAD)	109 (SAD)
Arta	105 (SAD)	109 (SAD)
Lugo FM	105 (SAD)	

\*1 = Santos with Madrid  
 SAD = single-action door  
 SD = swing door

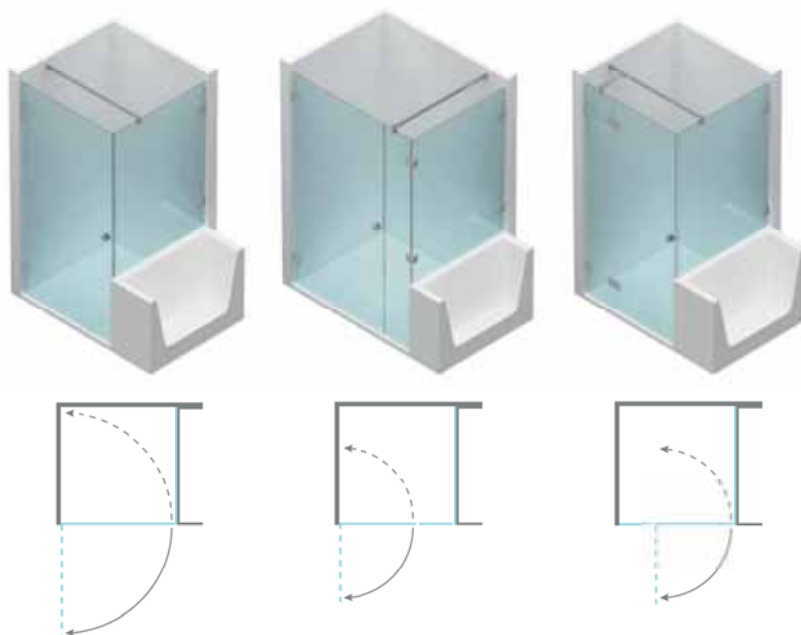
# Installation settings

## Bathtub solution

Type 404

Type 413

Type 415



	404 (SD)	413 (SD)	415 (SD)
Juna®	404 (SD)	413 (SD)	415 (SD)
Santos	404 (SD)	413 (SD)	415 (SD)
Bilbao Premium HD	404 (SD)		415 (SD)
Bilbao Premium	404 (SD)		415 (SD)
Bilbao Select	404 (SD)	413 (SD)	415 (SD)
Bilbao	404 (SD)	413 (SD)	415 (SD)
Barcelona Select	404 (SD)	413 (SD)	415 (SD)
Barcelona	404 (SD)	413 (SD)	415 (SD)
Granada	404 (SD)	413 (SD)	415 (SD)
Art	404 (SD)	413 (SD)	415 (SD)
Plan Artist FM	404 (SD)	413 (SD)	415 (SD)
Aqua	404 (SD)		415 (SD)
Aqua light	404 (SD)		415 (SD)
Madrid	404 (SAD)	413 (SAD)	415 (SAD)
Avila	404 (SAD)	413 (SAD)	415 (SAD)
Arta	404 (SAD)	413 (SAD)	415 (SAD)
Lugo FM	404 (SAD)	413 (SAD)	415 (SAD)

\*1 = Santos with Madrid  
 SAD = single-action door  
 SD = swing door





---

# Shower door fittings

---

<b>Swing shower door hinges</b>	<b>28</b>
· Juna®	30
· Santos	40
· Bilbao Premium HD	51
· Bilbao Premium	55
· Bilbao Select	61
· Bilbao	73
· Barcelona Select	80
· Barcelona	88
· Granada	93
· Art	102
· Plan Artist FM	108
· Aqua / Aqua light	120
<b>Stop shower door hinges</b>	<b>124</b>
· Madrid	125
· Avila	134
· Arta	140
· Lugo FM	149
<b>Vigo walk-in shower</b>	<b>156</b>
<b>MasterTrack® ST sliding shower door system</b>	<b>159</b>



# Shower door fittings

## Swing shower door hinges



	Juna®	Juna® Sauna	Santos	Bilbao Premium HD	Bilbao Premium	Bilbao Select	Bilbao
surface	chrome-plated, stainless steel coloured, black, brass polished, brass brushed, copper brushed, graphite, white	chrome-plated, stainless steel coloured, black	chrome-plated, stainless steel coloured, black	chrome-plated, stainless steel coloured	chrome-plated, stainless steel coloured	chrome-plated, stainless steel coloured, black, brass polished, brass brushed	chrome-plated, stainless steel coloured
stop							
swing	✓	✓	✓	✓	✓	✓	✓
glass thickness ESG (mm)	6 - 10	6 - 10	8 - 10	8 - 12	8 - 12	8 - 12	8 - 12
max. door weight (kg)	50	32	50	50	40	40	36
max. door width (mm)	1000	800	1000	1000	1000	1000	900
max. door height (mm)	2250	2000	2000	2000	2000	2000	2000
cont. sealing tape							
without seal	✓	✓	✓	✓	✓	✓	✓
zero position adjustment	✓	✓	✓	✓	✓	✓	
self-closing from approx.	20°	20°	15°		15°	15°	15°
opening angle	90°	90°	90°	90°	90°	90°	90°
concealed screws (hinge)	✓	✓	✓				
concealed wall fittings (hinge)	✓	✓	✓	✓	✓		
concealed screws (connector)	✓	✓	✓	✓	✓		
concealed wall fittings (connector)	✓	✓	✓	✓	✓		
rise/fall function							
flush							
SDH glass wall 90°	✓	✓	✓	✓	✓	✓	✓
SDH glass wall 180°			✓				
SDH glass-glass 90°	✓		✓		✓*1*2	✓*1	
SDH glass-glass 135°	✓*1 *2 *3		✓			✓*1	
SDH glass-glass 180°	✓	✓	✓	✓	✓*1*2	✓	✓*1*2
AC glass wall 90°	✓		✓	✓	✓*1*2	✓*1	✓
AC glass wall 135°							
AC glass wall 180°			✓				
AC glass wall var. 45-180°			✓				
AC glass-glass 90°	✓		✓			✓*1*2	✓
AC glass-glass 135°	✓*1 *2 *3		✓				
AC glass-glass 180°			✓				✓
AC glass-glass var. 45-180°			✓				
page	30	32	40	51	55	61	73

\*1 = chrome-plated

\*2 = stainless steel colour

\*3 = black

\*4 = aluminium coloured polished shiny

\*5 = aluminium coloured matt

SDH = Shower door hinge

AC = angle connector

## Swing shower door hinges



	Barcelona Select	Barcelona	Granada	Art	Plan Artist FM	Aqua	Aqua light
surface	chrome-plated, stainless steel coloured	chrome-plated, stainless steel coloured	chrome-plated, stainless steel coloured	chrome-plated	chrome-plated	aluminium coloured polished shiny, aluminium coloured matt	aluminium coloured polished shiny, aluminium coloured matt, black
stop							
swing	✓	✓	✓	✓	✓	✓	✓
glass thickness ESG (mm)	8 - 12	8 - 12	8 - 10	6 - 10	8	6 - 8	8
max. door weight (kg)	40	36	35	35	38	37	37
max. door width (mm)	1000	900	900	750	900	900	900
max. door height (mm)	2000	2000	2000	2000	2100	2187	2187
cont. sealing tape					✓		
without seal	✓	✓	✓	✓			
zero position adjustment	✓		✓			✓	✓
self-closing from approx.	15°	15°	15°	15°	60°	60°	60°
opening angle	90°	90°	90°	90°	90°	90°	90°
concealed screws (hinge)					✓		
concealed wall fittings (hinge)				✓	✓	✓	✓
concealed screws (connector)					✓	✓	✓
concealed wall fittings (connector)				✓	✓	✓	✓
rise/fall function					✓	✓	✓
flush					✓		
SDH glass wall 90°	✓	✓	✓	✓	✓	✓	✓
SDH glass wall 180°							
SDH glass-glass 90°	✓*1		✓*1		✓		
SDH glass-glass 135°	✓*1		✓*1		✓		
SDH glass-glass 180°	✓	✓	✓*1	✓	✓	✓	✓*4*5
AC glass wall 90°	✓	✓	✓	✓	✓	✓	✓*4*5
AC glass wall 135°							
AC glass wall 180°							
AC glass wall var. 45-180°							
AC glass-glass 90°	✓	✓	✓*1	✓	✓		
AC glass-glass 135°					✓		
AC glass-glass 180°							
AC glass-glass var. 45-180°							
page	80	88	93	102	108	120	120

\*1 = chrome-plated

\*2 = stainless steel colour

\*3 = black

\*4 = aluminium coloured polished shiny

\*5 = aluminium coloured matt

SDH = Shower door hinge

AC = angle connector



# Juna<sup>®</sup> shower door fittings

Developed and designed by Bohle, the Juna<sup>®</sup> shower door hinge combines aesthetics and functionality with quality and "Made in Germany" manufacturing. The high-quality components inside the hinge guarantee the durability of the product, meaning that Juna<sup>®</sup> can be used not only for showers but also for sauna doors. Extensive tests in accordance with DIN 14428:2015-09, section 5.5 confirm the quality of the shower door hinge with 100,000 test cycles (sauna application: 20,000 cycles).





# JUNA® SHOWER DOOR HINGE, GLASS-WALL 90°

The Juna® glass-wall 90° swing shower door hinge has a load capacity of 50 kg. Doors up to 1 x 2.25 m can be achieved. The hinge is designed for right-angled corner showers and recess showers. It is screwed to the wall using two slotted holes and a securing hole.



## YOUR BENEFITS

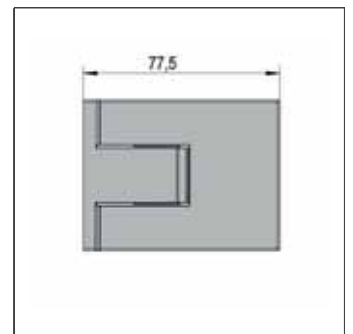
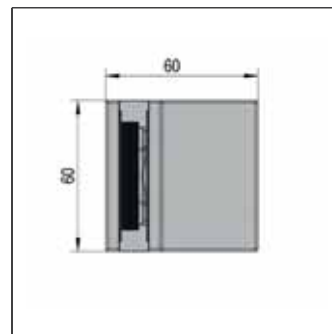
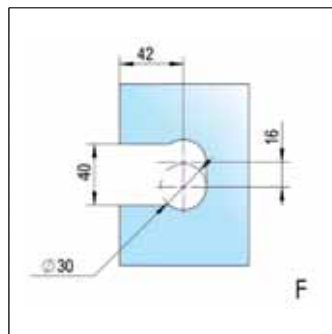
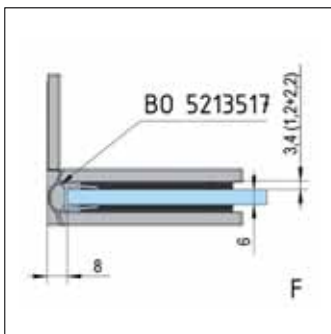
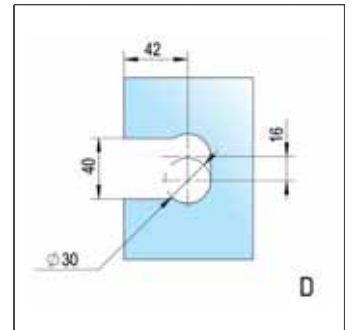
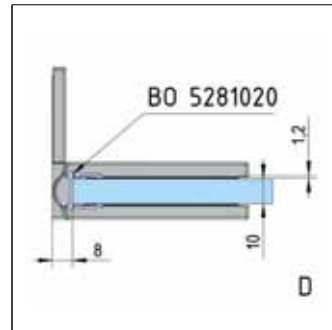
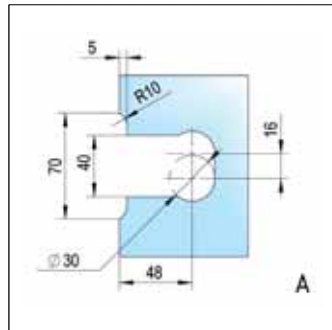
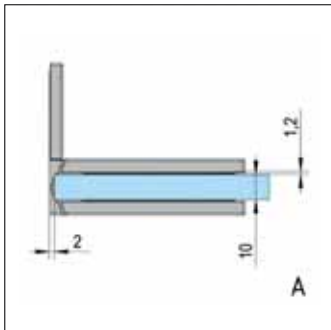
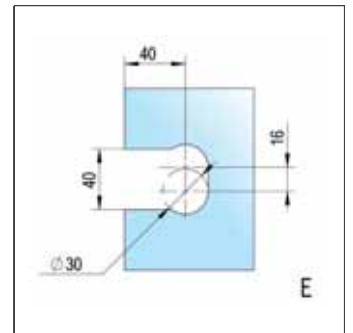
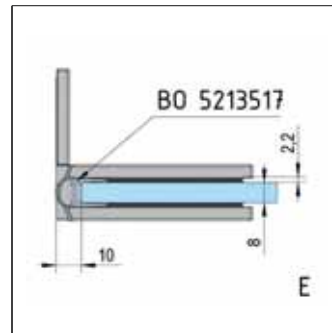
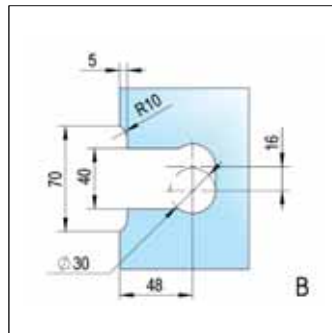
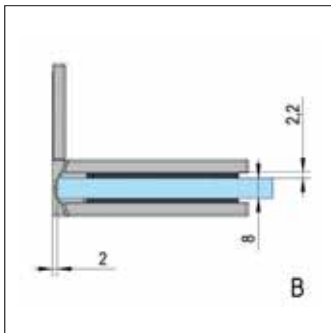
- Perfect zero position adjustment thanks to innovative clamping technology
- High-quality design with minimal gaps and concealed screws
- Efficient mounting with only one tool

## TECHNICAL DETAILS

- Door width: 1,000 mm
- Door height: 2,250 mm
- Max. door weight per pair: 50 kg
- Glass thickness ESG: 6 - 10 mm
- Material: Brass, Stainless steel V2A

ART NO.	COLOUR SCHEME
BO 5410310	Chrome-plated shiny
BO 5410311	Stainless steel colour brushed matt
BO 5410312	Black matt
BO 5410370	Brass polished
BO 5410371	Brass brushed
BO 5410372	Copper pvd coated brushed
BO 5410385	White matt
BO 5410386	Graphite matt

Available from 4th quarter 2024

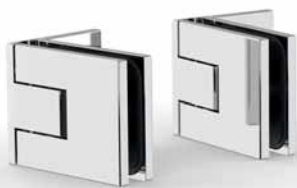


## INCLUDED IN DELIVERY

1 Pair

# JUNA® SHOWER DOOR HINGE, GLASS-WALL 90° FOR SAUNAS

The Juna® glass wall 90° swing door hinge for sauna applications has a load capacity of 32 kg. Doors up to 0.8 x 2 m with 8 mm glass thickness can be realised. It is screwed to the wall using two slotted holes and a locking hole.



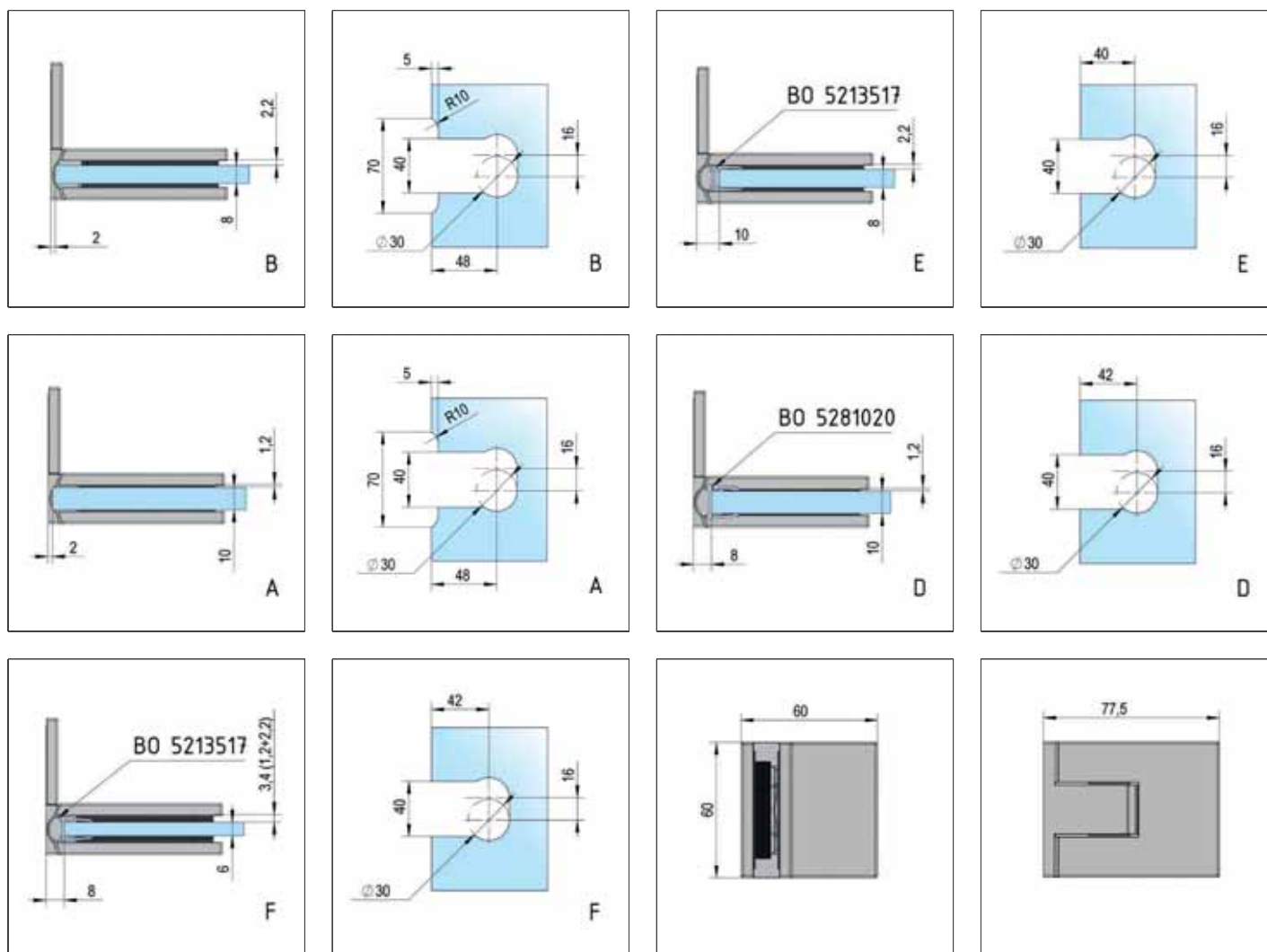
### YOUR BENEFITS

- Perfect zero position adjustment through innovative clamping technology
- High-quality design with minimal gaps and concealed screws
- Efficient assembly with only one tool

ART NO.	COLOUR SCHEME
BO 5410310S	Chrome-plated shiny
BO 5410311S	Stainless steel colour brushed matt
BO 5410312S	Black matt

### TECHNICAL DETAILS

- Door width: 800 mm
- Door height: 2,000 mm
- Max. door weight per pair: 32 kg
- Glass thickness ESG: 6 - 10 mm
- Material: Brass, Stainless steel V2A



### INCLUDED IN DELIVERY

1 Pair

### PLEASE NOTE

Only for private sauna facilities (not steam or swimming pools)

# JUNA® SHOWER DOOR HINGE, GLASS-GLASS 90°

The Juna® glass-glass 90° swing shower door hinge has a load-bearing capacity of 50 kg. Doors up to 1 x 2.25 m can be realised. The hinge for 90° glass-glass installation is designed for attaching a door to a fixed glass side panel.



## YOUR BENEFITS

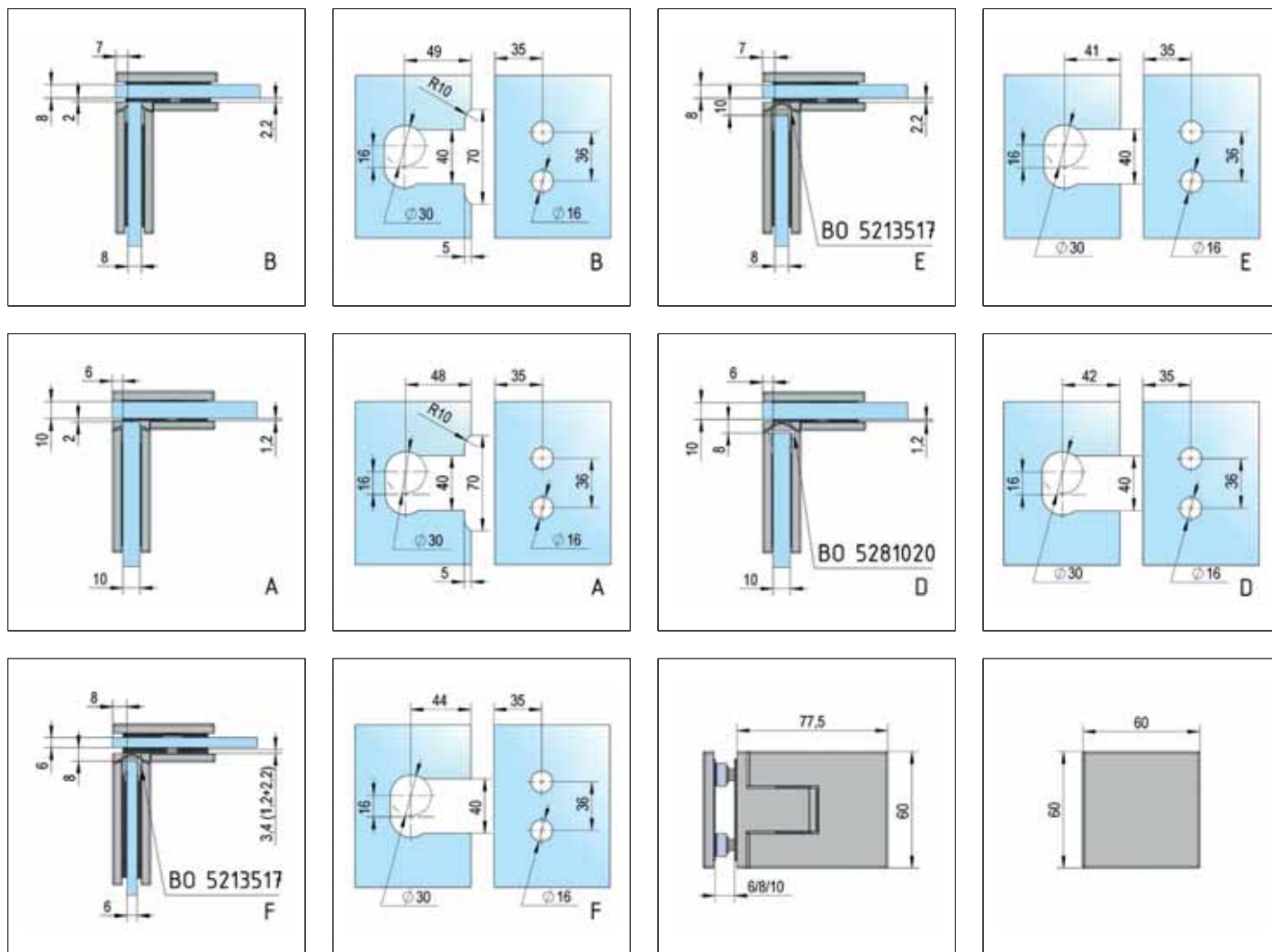
- Perfect zero position adjustment thanks to innovative clamping technology
- High-quality design with minimal gaps and concealed screws
- Efficient assembly with only one tool

## TECHNICAL DETAILS

- Door width: 1,000 mm
- Door height: 2,250 mm
- Max. door weight per pair: 50 kg
- Glass thickness ESG: 6 - 10 mm
- Material: Brass, Stainless steel V2A

ART NO.	COLOUR SCHEME
BO 5410340	Chrome-plated shiny
BO 5410341	Stainless steel colour brushed matt
BO 5410342	Black matt
BO 5410379	Brass polished
BO 5410380	Brass brushed
BO 5410381	Copper brushed
BO 5410391	White matt
BO 5410392	Graphite matt

Available from 4th quarter 2024



## INCLUDED IN DELIVERY

1 Pair

# JUNA® SHOWER DOOR HINGE, GLASS-GLASS 135°

The Juna® glass-glass 135° swing shower door hinge has a load capacity of 50 kg. Doors up to 1 x 2.25 m can be realised. The hinge is designed, for example, for modern and space-saving pentagonal showers. The processing on the side panel only requires a simple glass cut-out.



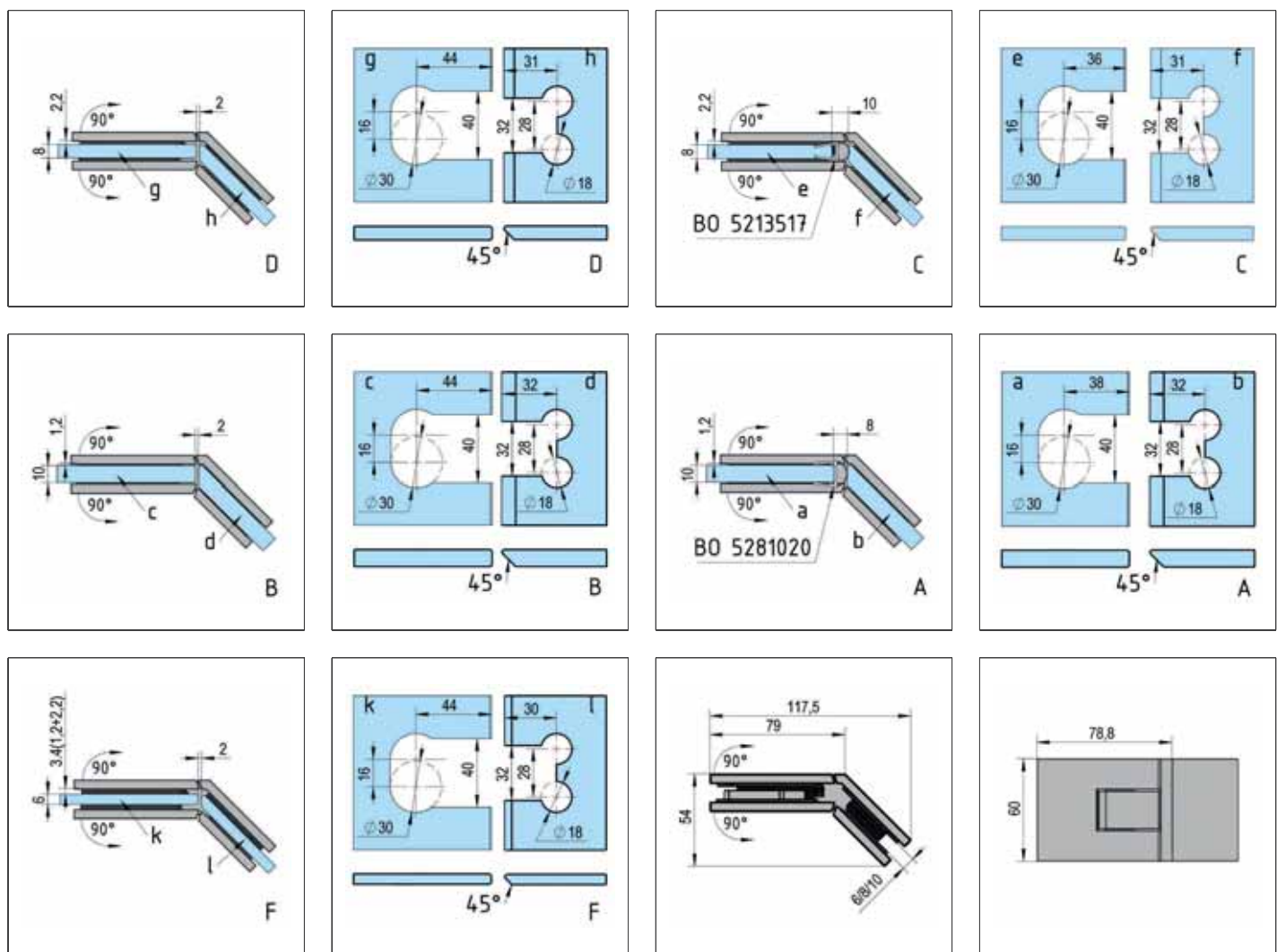
### YOUR BENEFITS

- Perfect zero position adjustment through innovative clamping technology
- High-quality design with minimal gaps and concealed screws
- Efficient assembly with only one tool

ART NO.	COLOUR SCHEME
BO 5410344	Chrome-plated shiny
BO 5410345	Stainless steel colour brushed matt
BO 5410346	Black matt

### TECHNICAL DETAILS

- Door width: 1,000 mm
- Door height: 2,250 mm
- Max. door weight per pair: 50 kg
- Glass thickness ESG: 6 - 10 mm
- Material: Brass, Stainless steel V2A



### INCLUDED IN DELIVERY

1 Pair

# JUNA® SHOWER DOOR HINGE, GLASS-GLASS 180°

The Juna® glass-glass 180° swing shower door hinge has a load capacity of 50 kg. Doors up to 1 x 2.25 m can be achieved. The hinge for 180° glass-glass installation has been developed for modern, large glass showers.



## YOUR BENEFITS

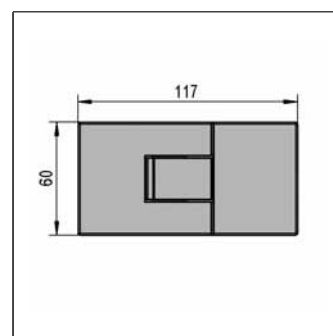
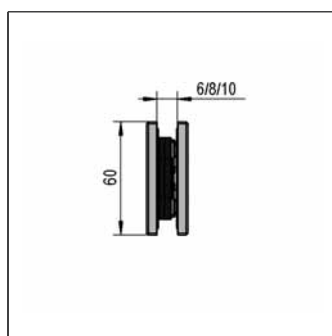
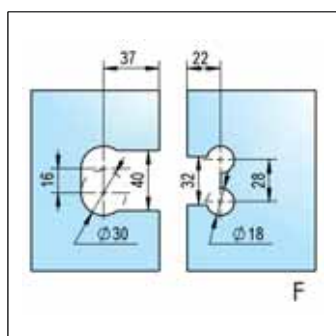
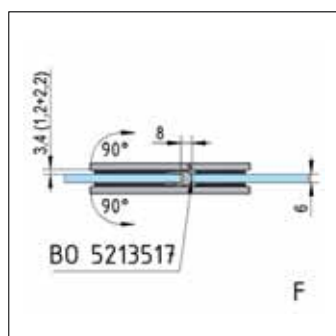
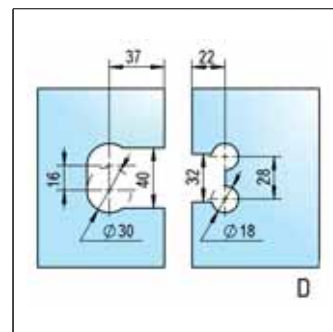
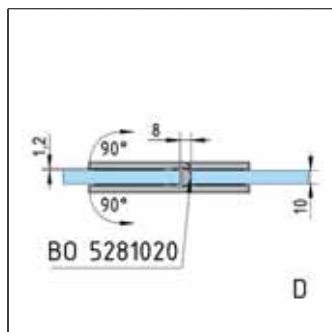
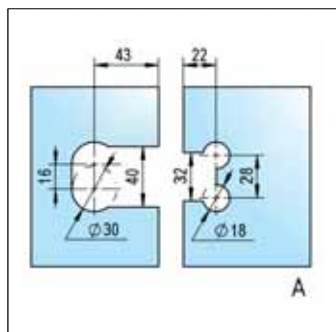
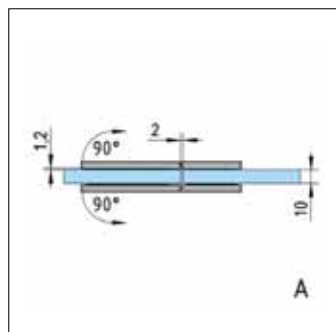
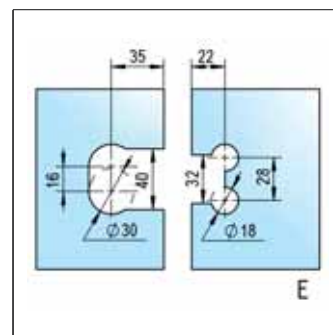
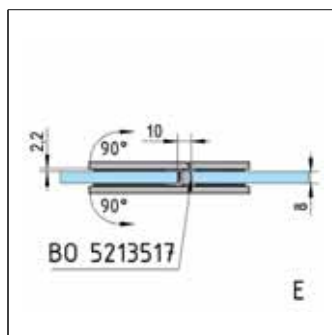
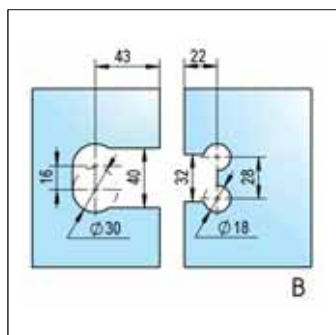
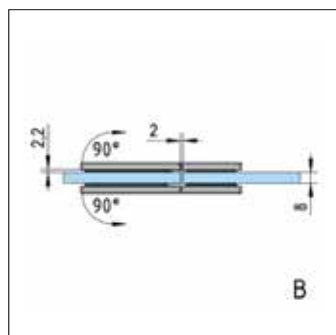
- Perfect zero position adjustment thanks to innovative clamping technology
- High-quality design with minimal gaps and concealed screws
- Efficient assembly with only one tool

## TECHNICAL DETAILS

- Door width: 1,000 mm
- Door height: 2,250 mm
- Max. door weight per pair: 50 kg
- Glass thickness ESG: 6 - 10 mm
- Material: Brass, Stainless steel V2A

ART NO.	COLOUR SCHEME
BO 5410300	Chrome-plated shiny
BO 5410301	Stainless steel colour brushed matt
BO 5410302	Black matt
BO 5410373	Brass polished
BO 5410374	Brass brushed
BO 5410375	Copper brushed
BO 5410387	White matt
BO 5410388	Graphite matt

Available from 4th quarter 2024



## INCLUDED IN DELIVERY

1 Pair



# JUNA® SHOWER DOOR HINGE, GLASS-GLASS 180° FOR SAUNAS

The Juna® glass-glass 180° swing door hinge has a load capacity of 32 kg. Doors up to 0.8 x 2 m with 8 mm glass can be achieved.



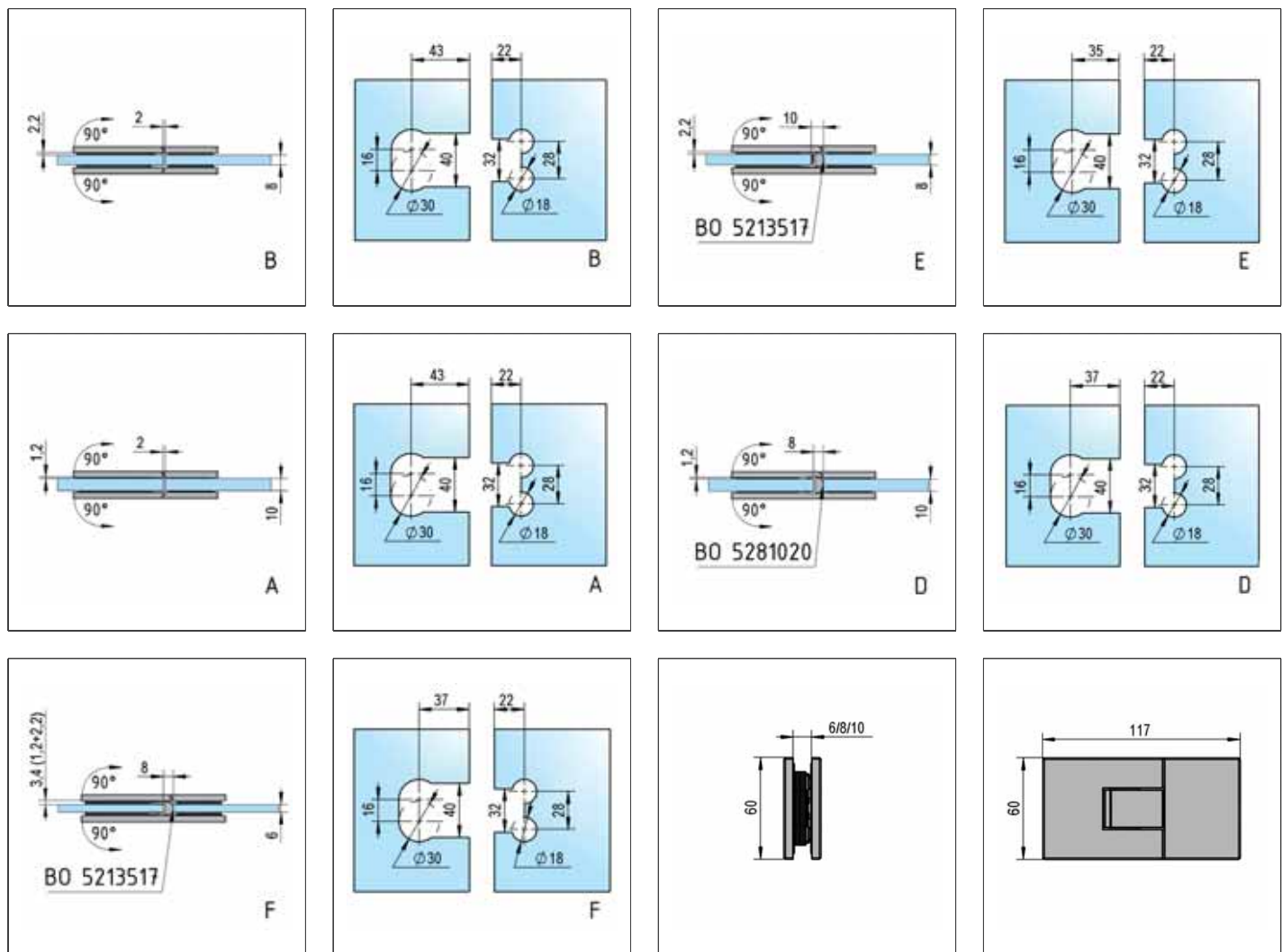
### YOUR BENEFITS

- Perfect zero position adjustment through innovative clamping technology
- High-quality design with minimal gaps and concealed screws
- Efficient assembly with only one tool

ART NO.	COLOUR SCHEME
BO 5410300S	Chrome-plated shiny
BO 5410301S	Stainless steel colour brushed matt
BO 5410302S	Black matt

### TECHNICAL DETAILS

- Door width: 800 mm
- Door height: 2,000 mm
- Max. door weight per pair: 32 kg
- Glass thickness ESG: 6 - 10 mm
- Material: Brass, Stainless steel V2A



### INCLUDED IN DELIVERY

1 Pair

### PLEASE NOTE

Only for private sauna facilities (no steam or swimming pools)

# JUNA® ANGLE CONNECTOR, GLASS WALL 90°

The Juna® 90° glass-wall angle connector for connecting fixed glass side panels to a wall. Simple glass drill holes are required for this.

## YOUR BENEFITS

- Concealed screws
- Only glass drill holes required

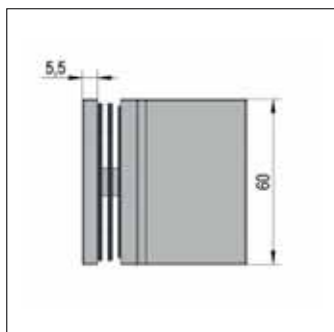
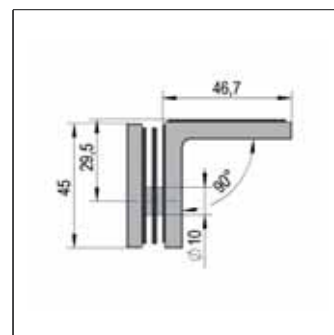
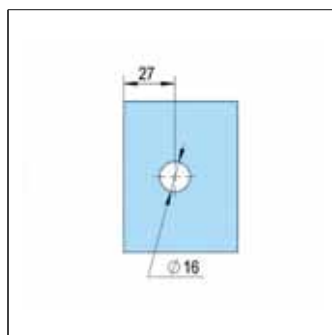
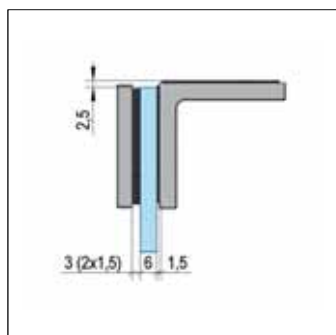
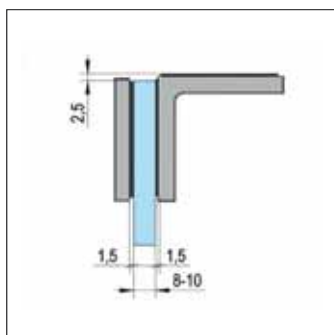


## TECHNICAL DETAILS

- Mounting type: Glass-Wall
- Glass thickness ESG: 6 - 10 mm
- Angle: 90°
- Concealed wall fixings: Yes
- Material: Brass

ART NO.	COLOUR SCHEME
BO 5410333	Chrome-plated shiny
BO 5410334	Stainless steel colour brushed matt
BO 5410335	Black matt
BO 5410376	Brass polished
BO 5410377	Brass brushed
BO 5410378	Copper brushed
BO 5410389	White matt
BO 5410390	Graphite matt

Available from 4th quarter 2024



## INCLUDED IN DELIVERY

1 Pair



# JUNA® ANGLE CONNECTOR, GLASS-GLASS 90°

The 90° glass-glass Juna® angle connector for connecting two fixed glass side panels. Simple glass drill holes are required for this.

### YOUR BENEFITS

- Concealed screws
- Only glass drill holes required

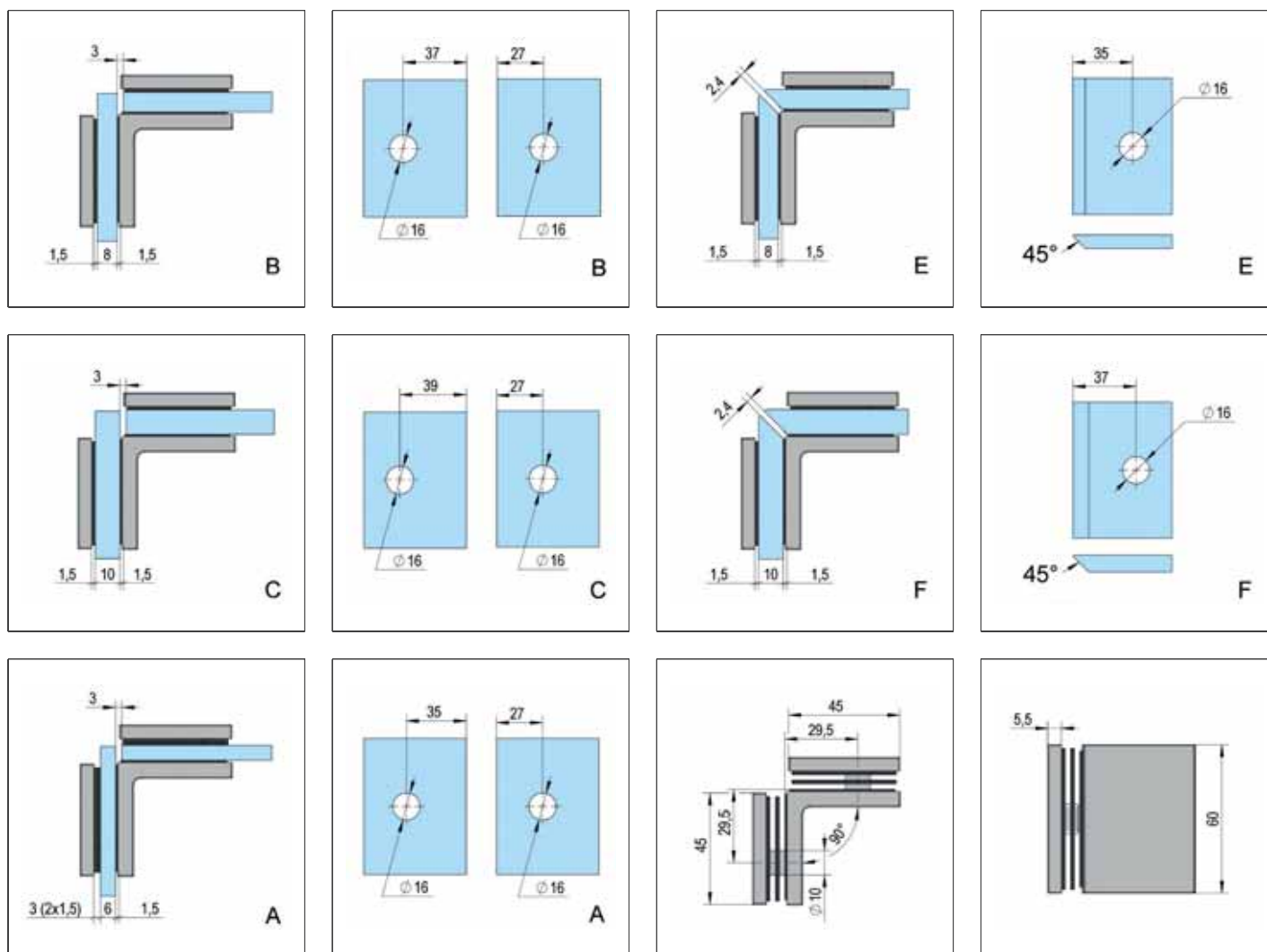


ART NO.	COLOUR SCHEME
BO 5410323	Chrome-plated shiny
BO 5410324	Stainless steel colour brushed matt
BO 5410325	Black matt
BO 5410382	Brass polished
BO 5410383	Brass brushed
BO 5410384	Copper brushed
BO 5410393	White matt
BO 5410394	Graphite matt

Available from 4th quarter 2024

### TECHNICAL DETAILS

- Mounting type: Glass-Glass
- Glass thickness ESG: 6 - 10 mm
- Angle: 90°
- Material: Brass
- Flush: No



### INCLUDED IN DELIVERY

1 Pair

# JUNA® ANGLE CONNECTOR, GLASS-GLASS 135°

The 135° glass-glass Juna® angle connectors enable the creation of a 135° glass corner connection, for example for space-saving pentagonal showers.



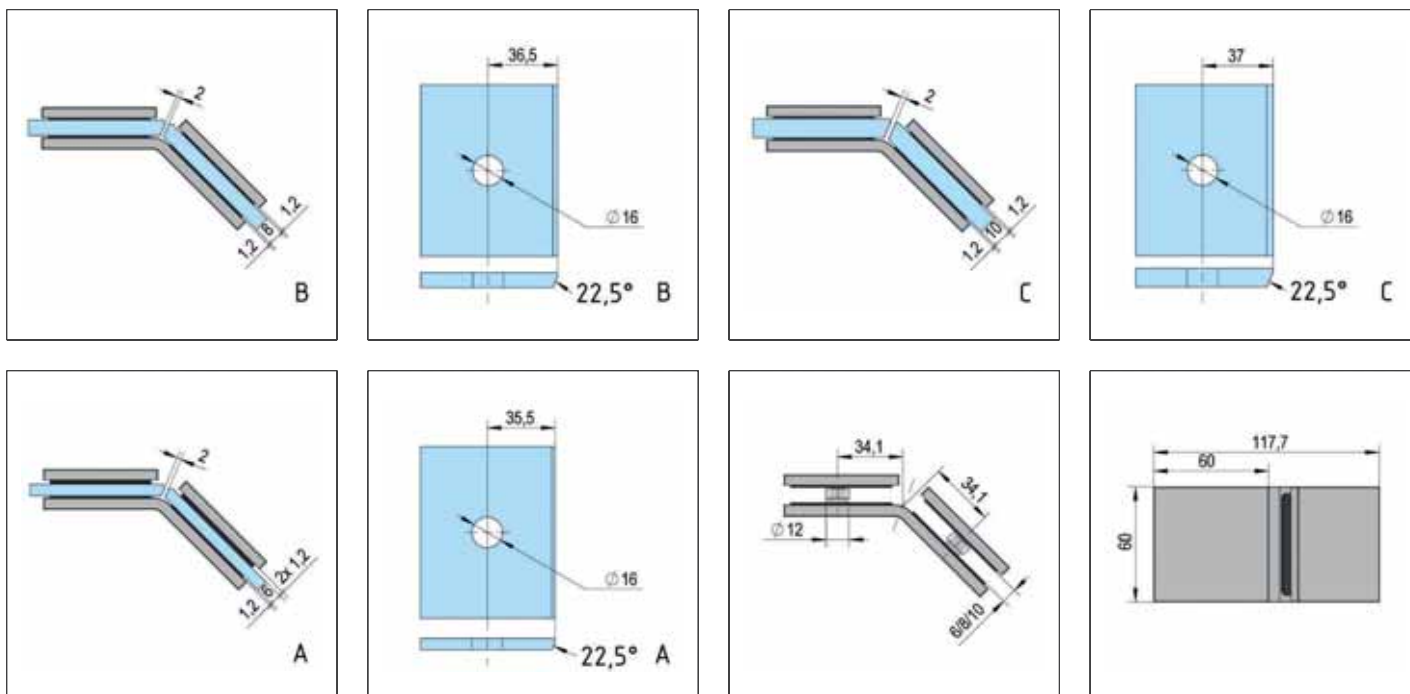
## YOUR BENEFITS

- Concealed screws

ART NO.	COLOUR SCHEME
BO 5410347	Chrome-plated shiny
BO 5410348	Stainless steel colour brushed matt
BO 5410349	Black matt

## TECHNICAL DETAILS

- Mounting type: Glass-Glass
- Glass thickness ESG: 6 - 10 mm
- Angle: 135°
- Material: Brass, Stainless steel V2A
- Flush: No



## INCLUDED IN DELIVERY

1 Pair

---

# Santos shower door fittings

---

If you value elegant looks at a good price-performance ratio, the Santos shower door hinge range is just right for you. Santos combines durable materials and first-class design in a high-quality processed shower door hinge series. It includes three types of shower door hinges and two types of angle connectors. All are available in shiny chrome and black finishes.



# SANTOS SHOWER DOOR HINGE, GLASS-WALL 90°

The Santos swing shower door hinge has a load capacity of 50 kg. Doors up to max. 1 x 2.00 m can be achieved. The 90° glass-wall installation is designed for right-angled corner showers and recess showers.

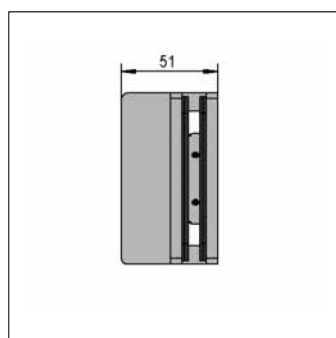
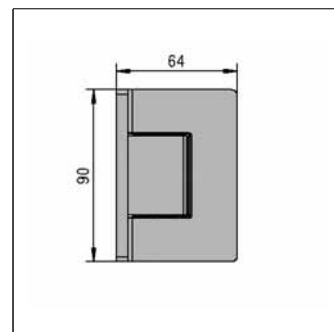
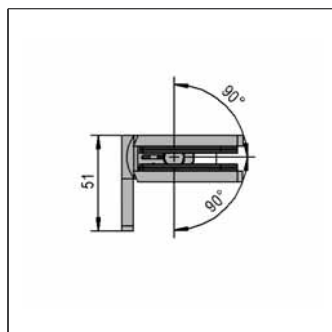
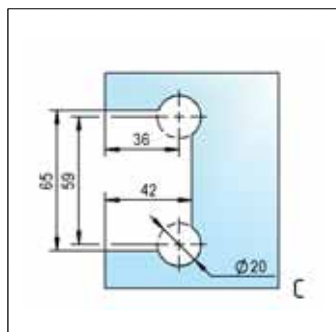
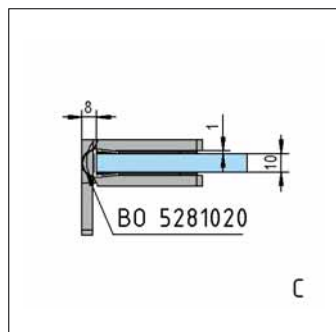
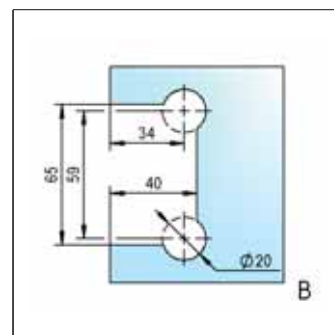
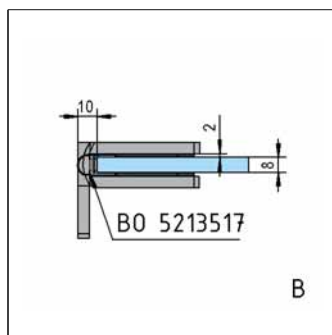
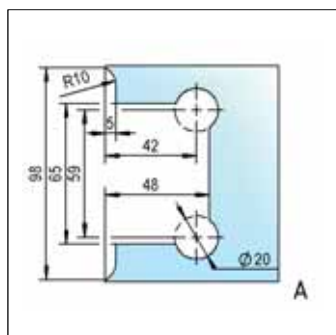
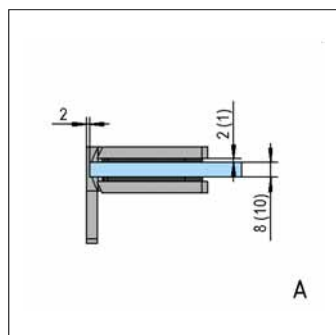
## YOUR BENEFITS

- Concealed screws
- Low gap dimensions
- Infinitely variable zero position adjustment

ART NO.	COLOUR SCHEME
BO 5218434	Chrome-plated shiny
BO 5218452	Stainless steel colour brushed matt
BO 5218434B	Black matt

## TECHNICAL DETAILS

- Door width: 1,000 mm
- Door height: 2,000 mm
- Max. door weight per pair: 50 kg
- Glass thickness ESG: 8 - 10 mm
- Material: Brass



## INCLUDED IN DELIVERY

1 Pair

# SANTOS SHOWER DOOR HINGE, GLASS-WALL 180°

The Santos swing shower door hinge has a load capacity of 50 kg. Doors up to max. 1 x 2.00 m can be achieved. The hinge for 180° glass-wall installation is designed so that the inner walls of the shower remain free of fittings.



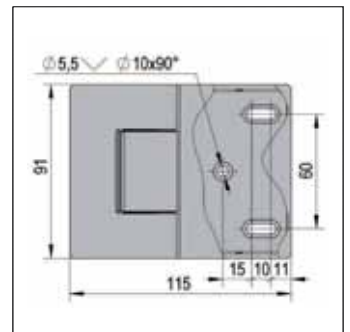
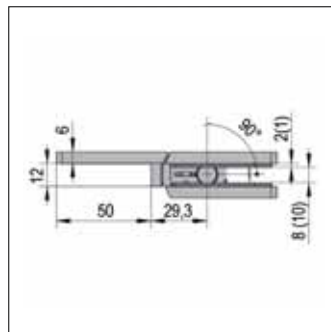
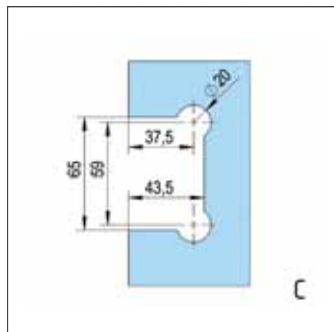
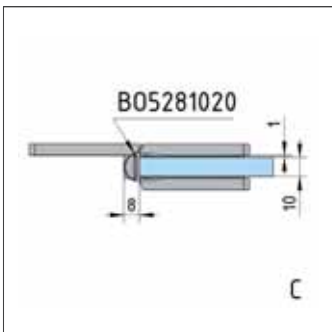
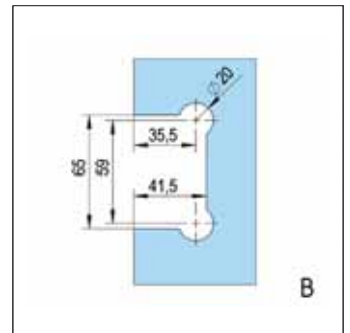
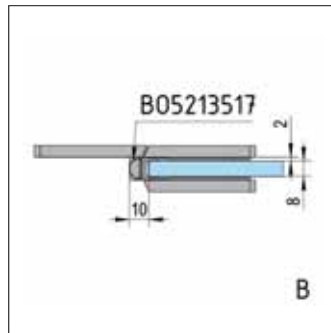
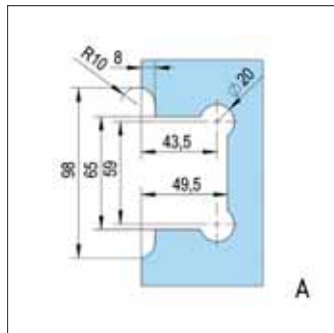
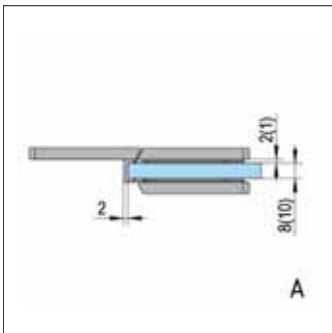
## YOUR BENEFITS

- Concealed screws
- Low gap dimensions
- Infinitely variable zero position adjustment

ART NO.	COLOUR SCHEME
B0 5218471	Chrome-plated shiny
B0 5218472	Stainless steel colour brushed matt
B0 5218473	Black matt

## TECHNICAL DETAILS

- Door width: 1,000 mm
- Door height: 2,000 mm
- Max. door weight per pair: 50 kg
- Glass thickness ESG: 8 - 10 mm
- Material: Brass



## INCLUDED IN DELIVERY

1 Pair

# SANTOS SHOWER DOOR HINGE, GLASS-GLASS 90°

The Santos glass-glass 90° swing shower door hinge has a load-bearing capacity of 50 kg. Doors up to max. 1 x 2 m can be achieved. The hinge is designed for attaching a door to a fixed glass side panel. The glass processing on the side panel requires only two glass drill holes.



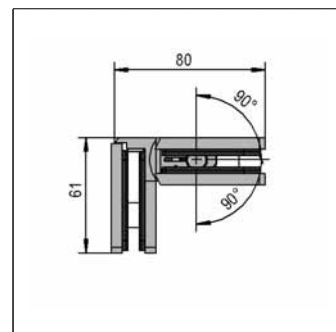
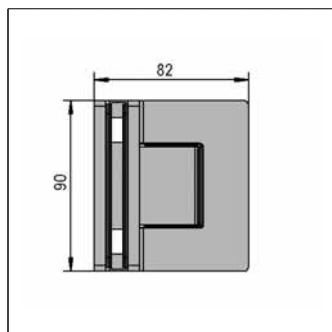
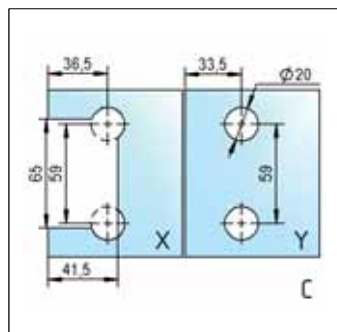
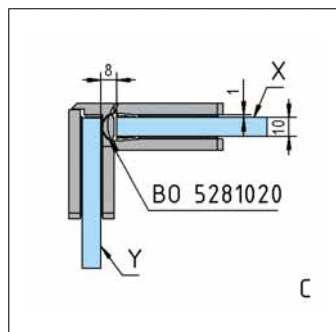
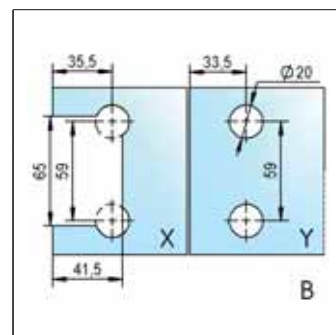
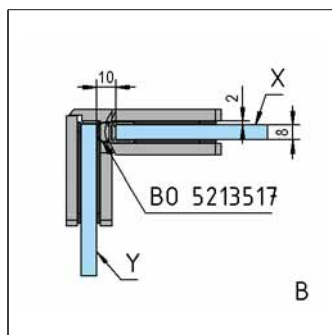
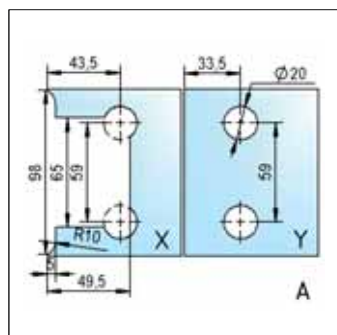
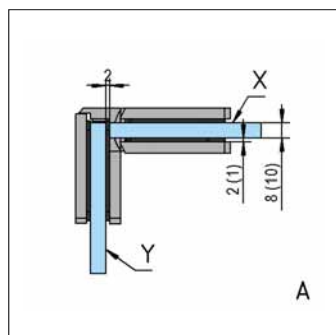
## YOUR BENEFITS

- Concealed screws
- Low gap dimensions
- Infinitely variable zero position adjustment

ART NO.	COLOUR SCHEME
BO 5218442	Chrome-plated shiny
BO 5218451	Stainless steel colour brushed matt
BO 5218453	Black matt

## TECHNICAL DETAILS

- Door width: 1,000 mm
- Door height: 2,000 mm
- Max. door weight per pair: 50 kg
- Glass thickness ESG: 8 - 10 mm
- Material: Brass



## INCLUDED IN DELIVERY

1 Pair

# SANTOS SHOWER DOOR HINGE, GLASS-GLASS 180°

The Santos swing shower door hinge has a load capacity of 50 kg. Doors up to max. 1 x 2.00 m can be achieved. The hinge for 180° glass-to-glass installation has been developed for modern, large glass shower rooms.

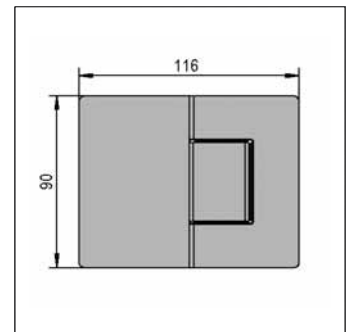
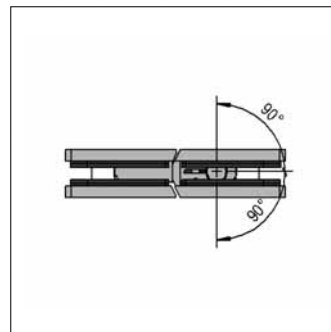
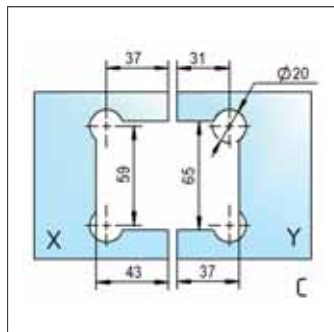
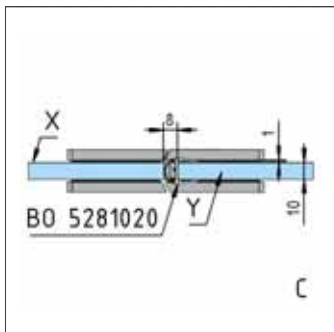
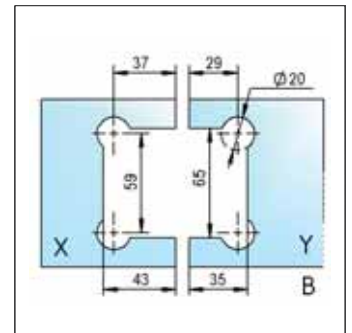
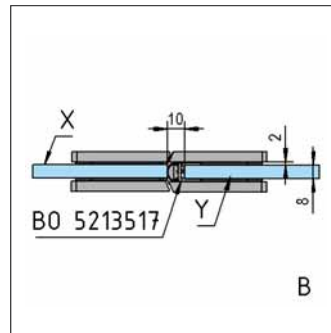
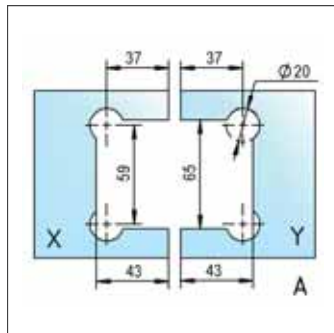
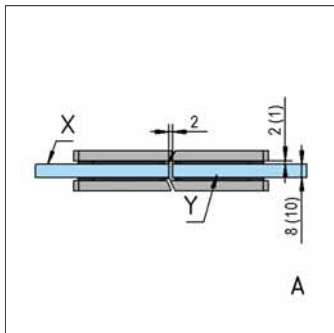
## YOUR BENEFITS

- Concealed screws
- Low gap dimensions
- Infinitely variable zero position adjustment

ART NO.	COLOUR SCHEME
<b>BO 5218433</b>	Chrome-plated shiny
<b>BO 5218456</b>	Stainless steel colour brushed matt
<b>BO 5218433B</b>	Black matt

## TECHNICAL DETAILS

- Door width: 1,000 mm
- Door height: 2,000 mm
- Max. door weight per pair: 50 kg
- Glass thickness ESG: 8 - 10 mm
- Material: Brass



## INCLUDED IN DELIVERY

1 Pair



# SANTOS SHOWER DOOR HINGE, GLASS-GLASS 135°

The Santos glass-glass 135° swing shower door hinge has a load-bearing capacity of 50 kg. Doors up to max. 1 x 2 m can be achieved. The hinge is designed, for example, for the modern and space-saving pentagonal shower. Glass processing on the side panel requires a simple glass cut-out.

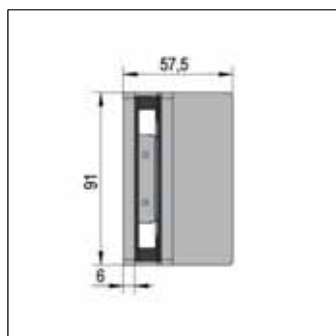
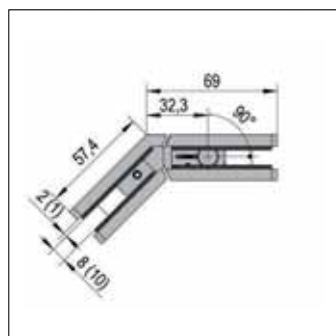
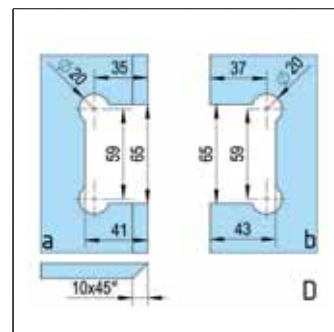
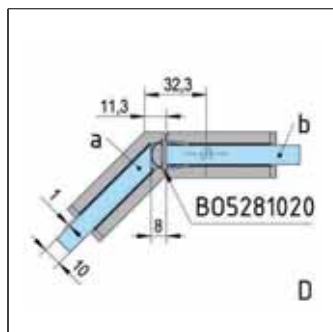
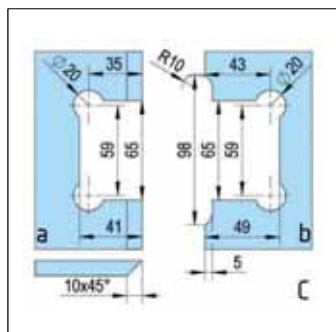
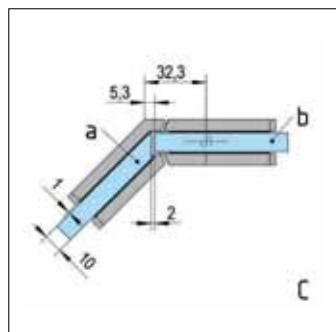
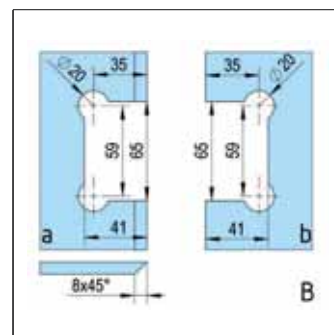
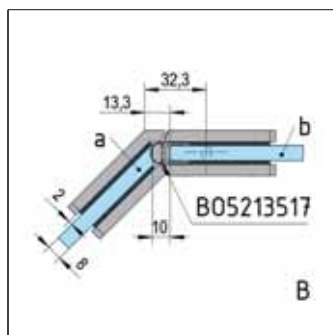
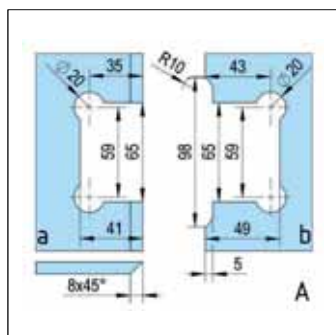
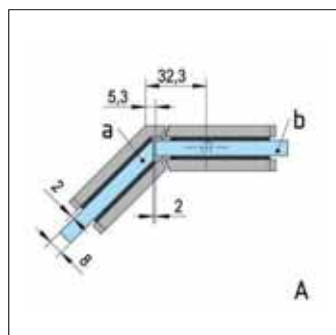
## YOUR BENEFITS

- Concealed screws
- Low gap dimensions
- Stepless zero position adjustment

ART NO.	COLOUR SCHEME
BO 5218450	Chrome-plated shiny
BO 5218446	Stainless steel colour brushed matt
BO 5218445	Black matt

## TECHNICAL DETAILS

- Door width: 1,000 mm
- Door height: 2,000 mm
- Max. door weight per pair: 50 kg
- Glass thickness ESG: 8 - 10 mm
- Material: Brass



## INCLUDED IN DELIVERY

1 Pair

## ADJUSTABLE ANGLE CONNECTOR, GLASS-GLASS/WALL 45-180°



The angle connector can be freely adjusted between 45-180° with just one screw. It can be used for glass-glass or glass-wall applications to connect a wall with a glass side panel or two fixed glass side panels at almost any angle.

### YOUR BENEFITS

- Only glass drilling required
- Can be used across all product ranges, e.g. Madrid, Arta and Santos
- Can be used as a glass-glass and glass-wall connector

ART NO.	COLOUR SCHEME
BO 5218459	Chrome-plated shiny
BO 5218460	Stainless steel colour brushed matt
BO 5218461	Black matt

### TECHNICAL DETAILS

- Mounting type: Glass-Glass, Glass-Wall
- Glass thickness ESG: 6 - 10 mm
- Angle: 45 - 180°
- Concealed wall fixings: Yes
- Material: Brass

### PLEASE NOTE

Please refer to the installation drawings and instructions. Suitable for the Madrid, Arta and Santos product ranges.

### INCLUDED IN DELIVERY

1 Piece

## SANTOS ANGLE CONNECTOR, GLASS-WALL 90°



The 90° glass wall Santos angle connectors connect glass side panels to a fixed wall. Simple glass drill holes are required for this.

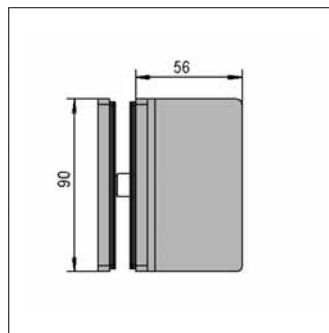
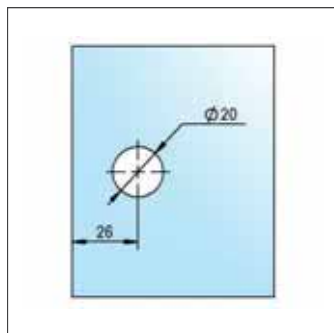
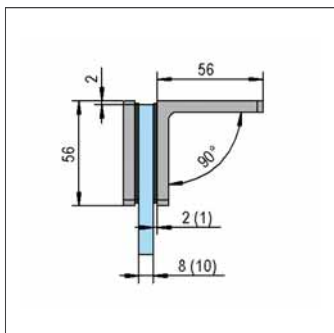
### YOUR BENEFITS

- Only glass drilling required
- Concealed screws
- Cover caps with clip technology

ART NO.	COLOUR SCHEME
BO 5218435	Chrome-plated shiny
BO 5218454	Stainless steel colour brushed matt
BO 5218435B	Black matt

### TECHNICAL DETAILS

- Mounting type: Glass-Wall
- Glass thickness ESG: 8 - 10 mm
- Angle: 90°
- Concealed wall fixings: Yes
- Material: Brass



### INCLUDED IN DELIVERY

1 Pair

## SANTOS CONNECTOR, GLASS-WALL 90°

Santos connector/clamping bracket glass-wall 90° for connecting a fixed glass side panel to a wall. Due to the design, there is no obtrusive fastening tab on the side.



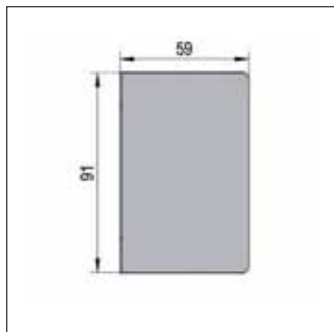
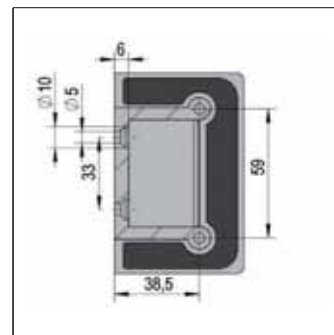
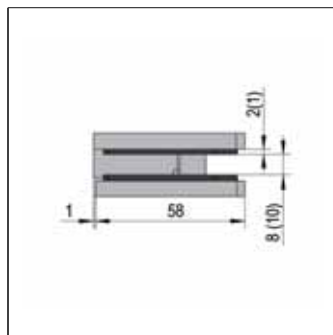
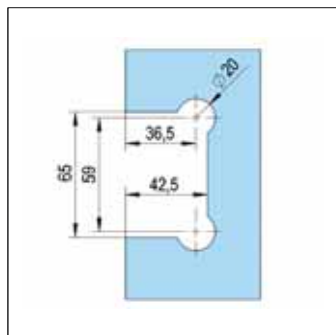
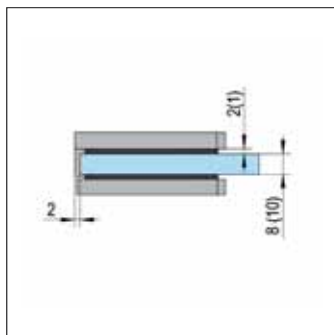
### YOUR BENEFITS

- Concealed screws
- No distracting side fastening tab

ART NO.	COLOUR SCHEME
BO 5218468	Chrome-plated shiny
BO 5218469	Stainless steel colour brushed matt
BO 5218470	Black matt

### TECHNICAL DETAILS

- Mounting type: Glass-Wall
- Glass thickness ESG: 8 - 10 mm
- Angle: 90°
- Concealed wall fixings: Yes
- Material: Brass



### INCLUDED IN DELIVERY

1 Pair

## SANTOS ANGLE CONNECTOR, GLASS-GLASS 90°



The 90° glass-glass Santos angle connectors make it possible to create a 90° glass corner connection, for example for a glass shower in a U-shape. Simple production of the glass as only glass drill holes are required.

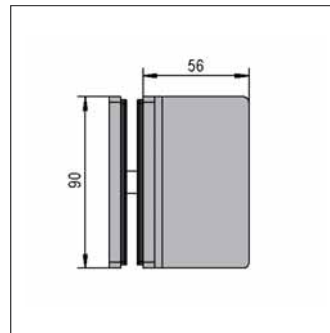
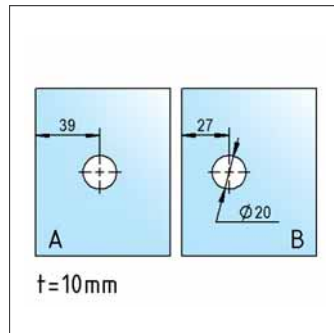
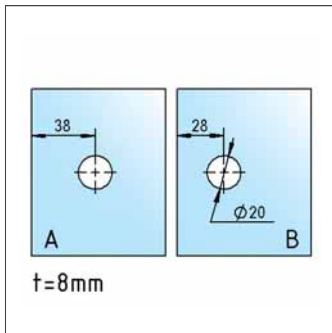
### YOUR BENEFITS

- Concealed screws
- Efficient assembly with only one tool
- Cover caps with clip technology

ART NO.	COLOUR SCHEME
BO 5218432	Chrome-plated shiny
BO 5218455	Stainless steel colour brushed matt
BO 5218474	Black matt

### TECHNICAL DETAILS

- Mounting type: Glass-Glass
- Glass thickness ESG: 8 - 10 mm
- Angle: 90°
- Material: Brass
- Flush: No



### INCLUDED IN DELIVERY

1 Pair

# SANTOS ANGLE CONNECTOR, GLASS-GLASS 135°

The 135° glass-glass Santos angle connectors make it possible to create a 135° glass corner connection, for example for space-saving pentagonal showers.



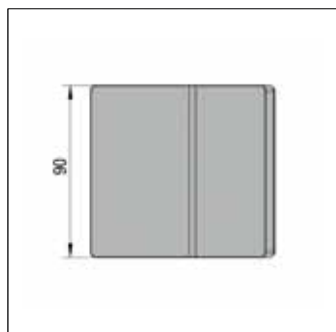
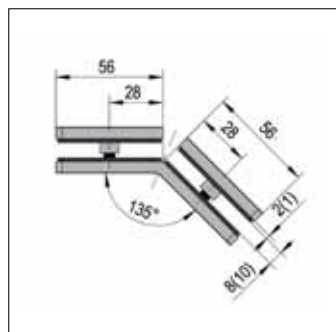
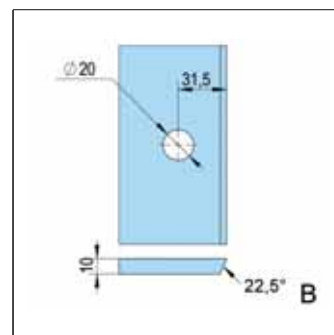
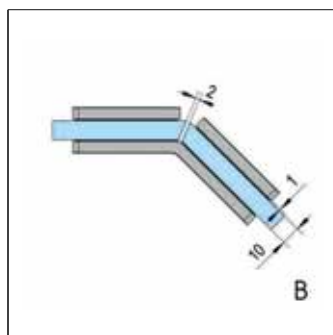
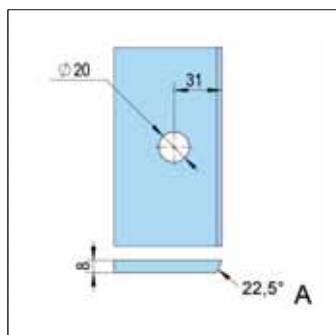
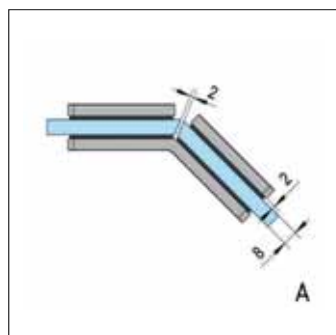
## YOUR BENEFITS

- Concealed screws
- Efficient assembly with just one tool
- Cover caps with clip technology

ART NO.	COLOUR SCHEME
BO 5218447	Chrome-plated shiny
BO 5218448	Stainless steel colour brushed matt
BO 5218449	Black matt

## TECHNICAL DETAILS

- Mounting type: Glass-Glass
- Glass thickness ESG: 8 - 10 mm
- Angle: 135°
- Material: Brass
- Flush: No



## INCLUDED IN DELIVERY

1 Pair

## SANTOS SIDE CONNECTOR, GLASS-GLASS/WALL 180°

The Santos 180° connector can be used either for glass-glass or glass-wall applications to connect a wall with a glass side panel or two fixed glass side panels. It is primarily used for large glass partitions.

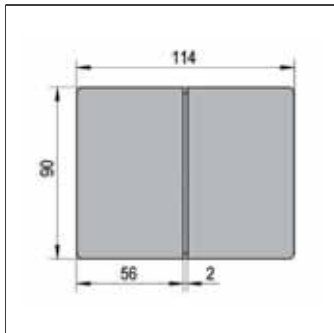
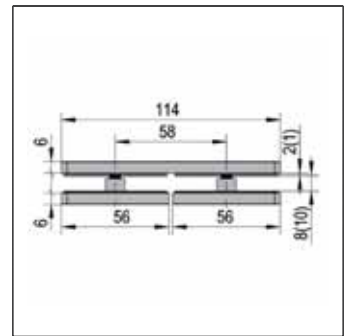
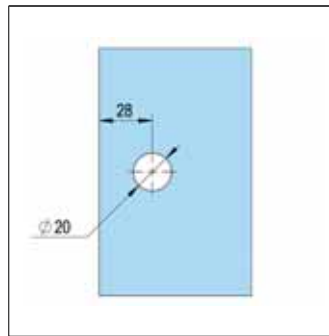
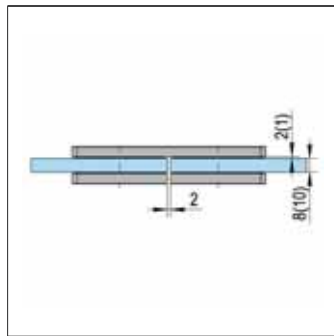
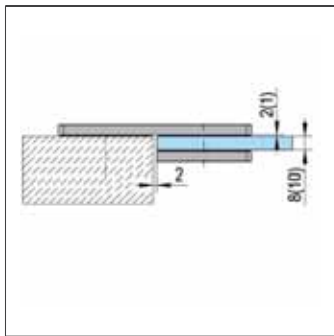
### YOUR BENEFITS

- Concealed screws
- Can be used as a glass-glass and glass-wall connector

ART NO.	COLOUR SCHEME
BO 5218467	Chrome-plated shiny
BO 5218465	Stainless steel colour brushed matt
BO 5218466	Black matt

### TECHNICAL DETAILS

- Mounting type: Glass-Glass, Glass-Wall
- Glass thickness ESG: 8 - 10 mm
- Material: Brass



### INCLUDED IN DELIVERY

1 Pair

---

# Bilbao Premium shower door fittings

---

The Bilbao Premium shower door hinge range combines modern, angular design with practical technical details, and all at an excellent price-performance ratio. The fittings are made of brass and are suitable for glass thicknesses of 8 mm, 10 mm and 12 mm. The zero position is adjustable for all hinges. The automatic return zone of  $\pm 15^\circ$  to the zero position ensures convenient closing of the shower door. Outside this zone, the hinges hold any position.





# BILBAO PREMIUM HD SHOWER DOOR HINGE, GLASS-WALL 90°, BOTH SIDES WALL MOUNTED

The Bilbao Premium HD glass-wall 90° swing shower door hinge has a load-bearing capacity of 50 kg. Doors up to max. 1 x 2 m can be achieved. The hinge enables a glass door to be mounted on a wall, for example for classic recess or 90° corner showers.

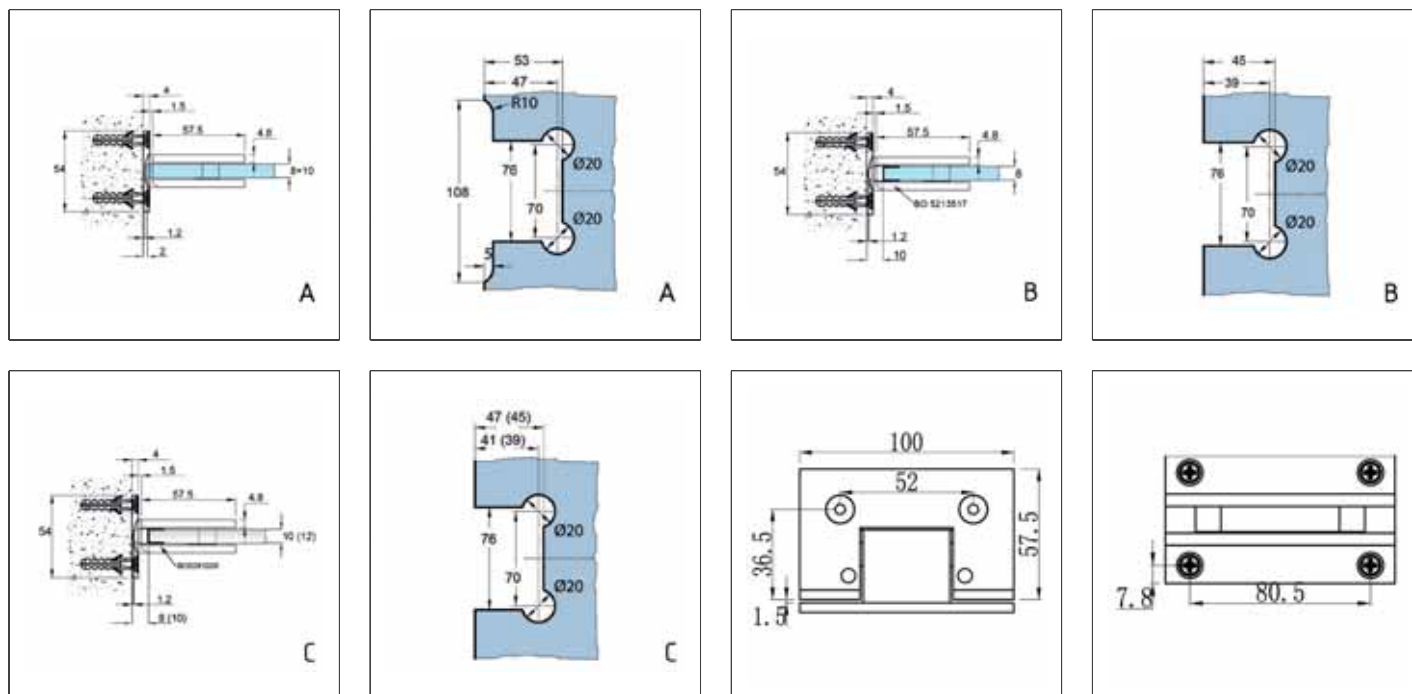
## YOUR BENEFITS

- Stepless zero position adjustment

ART NO.	COLOUR SCHEME	WALL CONNECTION
BO 5211561	Chrome-plated shiny	On both sides
BO 5211562	Stainless steel colour brushed matt	On both sides

## TECHNICAL DETAILS

- Door width: 1,000 mm
- Door height: 2,000 mm
- Max. door weight per pair: 50 kg
- Glass thickness ESG: 8 - 12 mm
- Material: Brass



# BILBAO PREMIUM HD SHOWER DOOR HINGE, GLASS-WALL 90°, ONE SIDE WALL MOUNTED

The Bilbao Premium HD glass-wall 90° swing shower door hinge has a load-bearing capacity of 50 kg. Doors up to max. 1 x 2 m can be achieved. The hinge enables a glass door to be mounted on a wall, for example for classic recess or 90° corner showers.

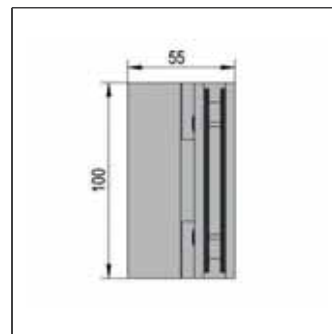
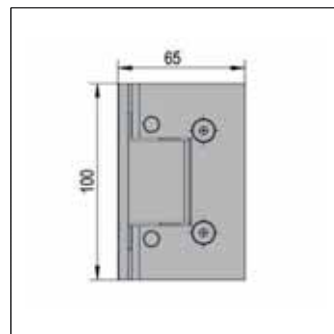
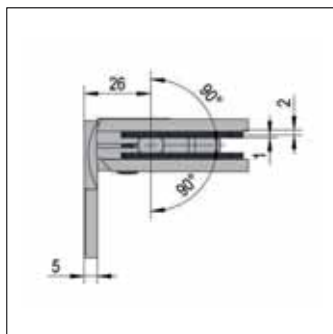
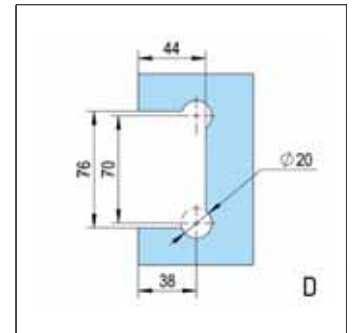
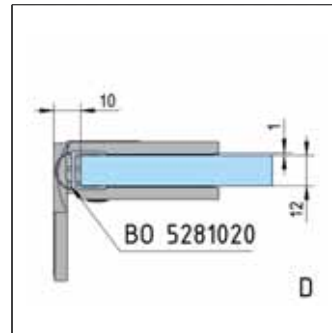
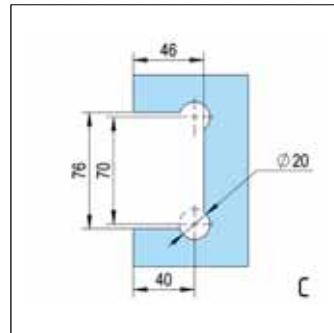
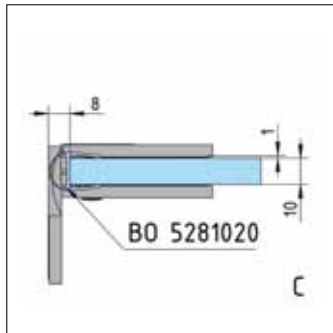
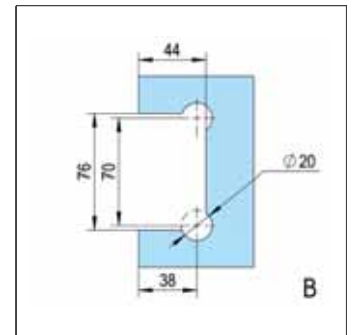
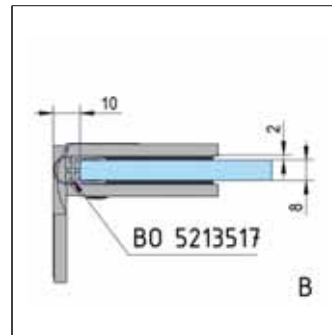
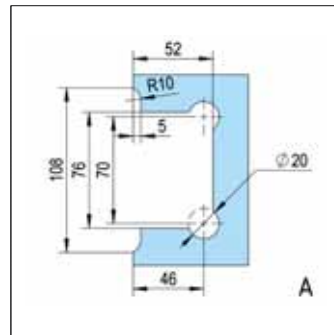
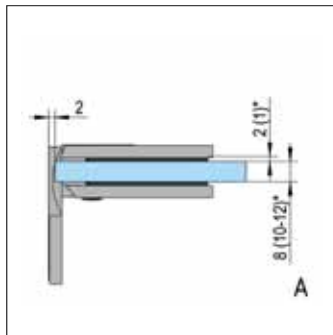
## YOUR BENEFITS

- Stepless zero position adjustment

ART NO.	COLOUR SCHEME	WALL CONNECTION
BO 5211563	Chrome-plated shiny	One-sided
BO 5211564	Stainless steel colour brushed matt	One-sided

## TECHNICAL DETAILS

- Door width: 1,000 mm
- Door height: 2,000 mm
- Max. door weight per pair: 50 kg
- Glass thickness ESG: 8 - 12 mm
- Material: Brass



# BILBAO PREMIUM HD SHOWER DOOR HINGE, GLASS-GLASS 180°

The Bilbao Premium HD glass-glass 180° swing shower door hinge has a load-bearing capacity of 50 kg. Doors up to max. 1 x 2 m can be achieved. The hinge for 180° glass-glass installation has been developed for modern, large glass shower rooms.

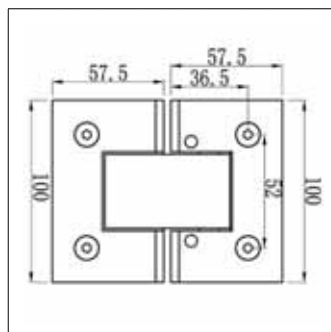
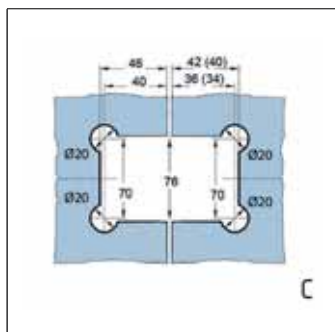
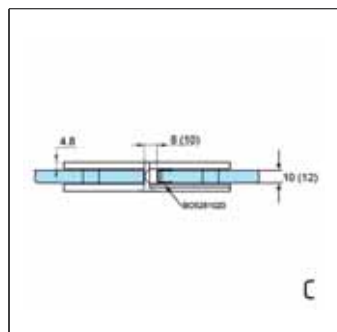
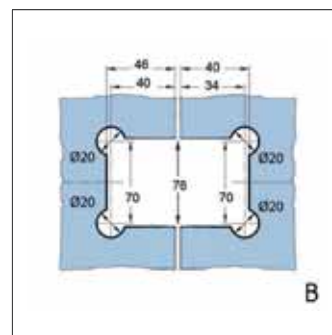
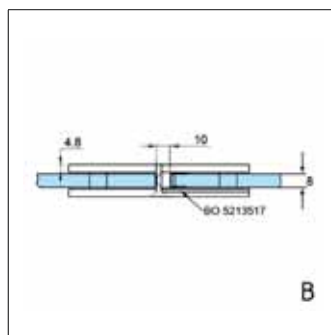
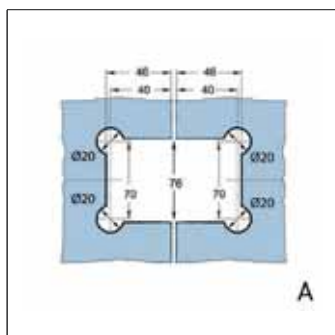
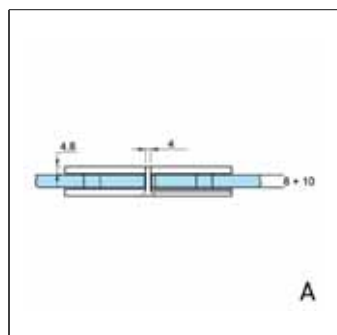
## YOUR BENEFITS

- Stepless zero position adjustment

ART NO.	COLOUR SCHEME
BO 5211565	Chrome-plated shiny
BO 5211566	Stainless steel colour brushed matt

## TECHNICAL DETAILS

- Door width: 1,000 mm
- Door height: 2,000 mm
- Max. door weight per pair: 50 kg
- Glass thickness ESG: 8 - 12 mm
- Material: Brass



# BILBAO PREMIUM SHOWER DOOR HINGE, GLASS-WALL 90°, BOTH SIDES WALL MOUNTED

The Bilbao Premium glass-wall 90° swing shower door hinge has a load-bearing capacity of 40 kg. Doors up to max. 1 x 2 m can be achieved. The hinge enables a glass door to be mounted on a wall, for example for classic recess or 90° corner showers.



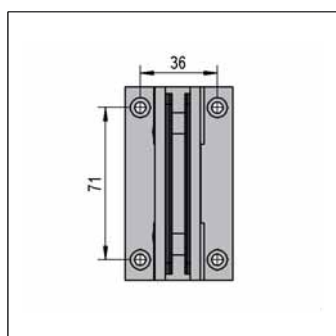
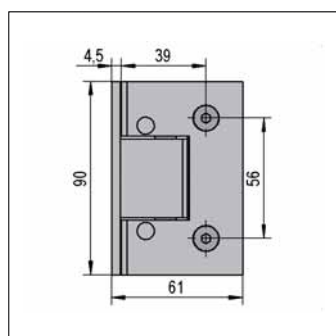
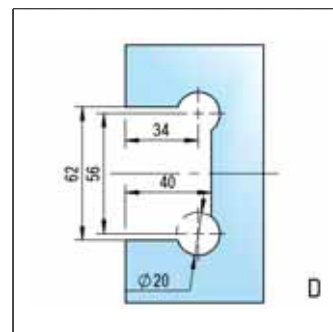
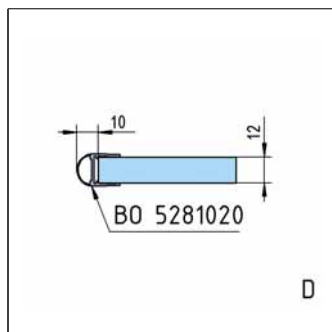
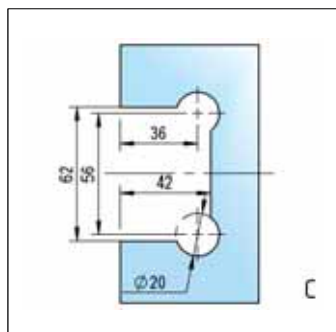
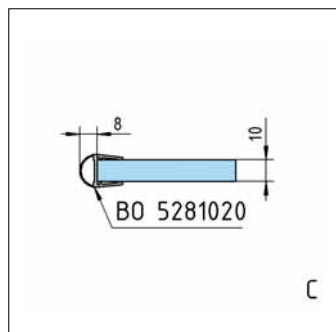
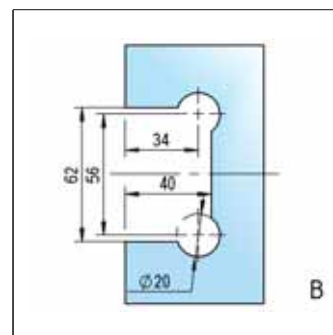
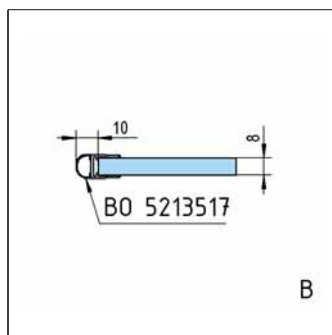
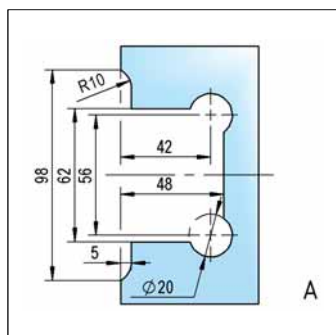
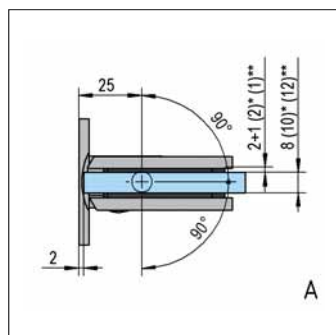
## YOUR BENEFITS

- Stepless zero position adjustment

ART NO.	COLOUR SCHEME	WALL CONNECTION
BO 5211551	Chrome-plated shiny	On both sides
BO 5211552	Stainless steel colour brushed matt	On both sides

## TECHNICAL DETAILS

- Door width: 1,000 mm
- Door height: 2,000 mm
- Max. door weight per pair: 40 kg
- Glass thickness ESG: 8 - 12 mm
- Material: Brass



# BILBAO PREMIUM SHOWER DOOR HINGE, GLASS-WALL 90°, ONE SIDE WALL MOUNTED

The Bilbao Premium glass-wall 90° swing shower door hinge has a load-bearing capacity of 40 kg. Doors up to max. 1 x 2 m can be achieved. The hinge enables a glass door to be mounted on a wall, for example for classic recess or 90° corner showers.

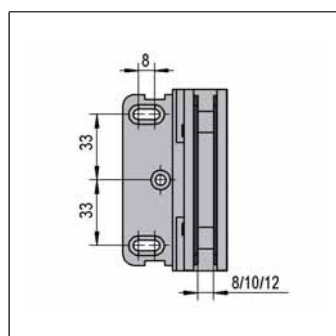
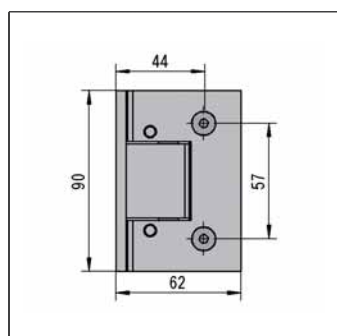
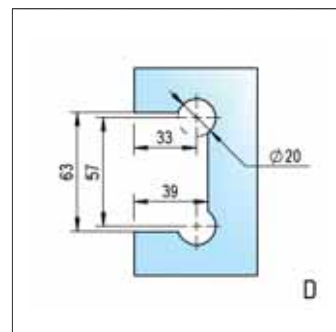
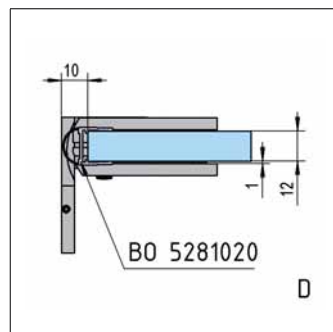
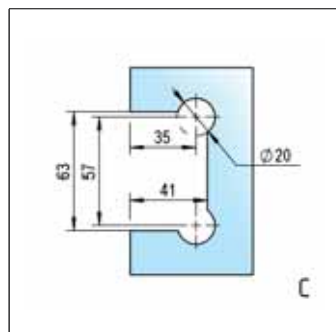
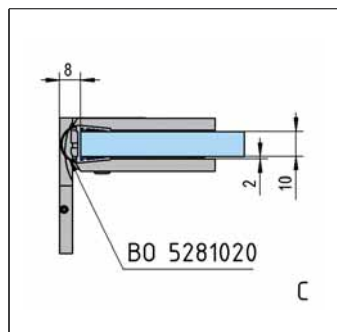
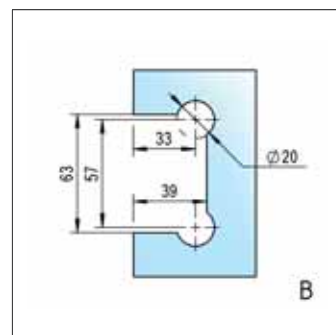
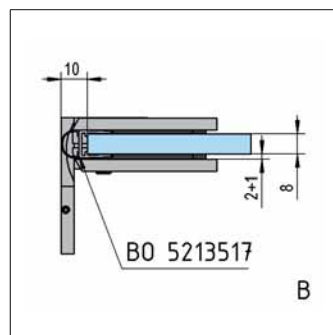
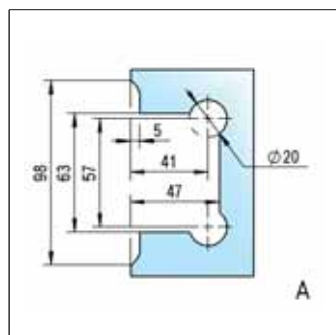
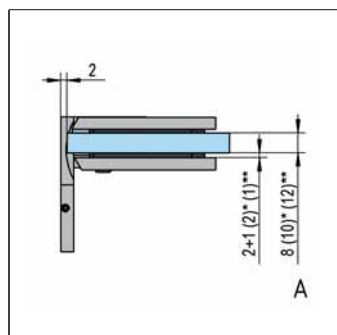
## YOUR BENEFITS

- Stepless zero position adjustment

ART NO.	COLOUR SCHEME	WALL CONNECTION
BO 5211553	Chrome-plated shiny	One-sided
BO 5211554	Stainless steel colour brushed matt	One-sided
BO 5211553B	Black matt	One-sided

## TECHNICAL DETAILS

- Door width: 1,000 mm
- Door height: 2,000 mm
- Max. door weight per pair: 40 kg
- Glass thickness ESG: 8 - 12 mm
- Material: Brass



# BILBAO PREMIUM SHOWER DOOR HINGE, GLASS-GLASS 90°

The Bilbao Premium glass-glass 90° swing shower door hinge has a load-bearing capacity of 40 kg. Doors up to max. 1 x 2 m can be achieved. The hinge for 90° glass-glass installation is designed for attaching a door to a fixed glass side panel.

## YOUR BENEFITS

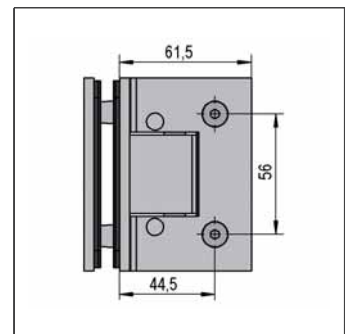
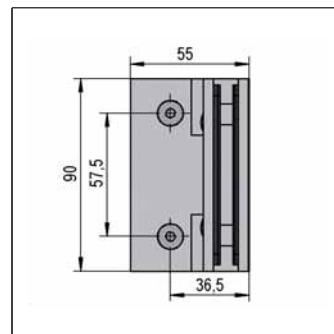
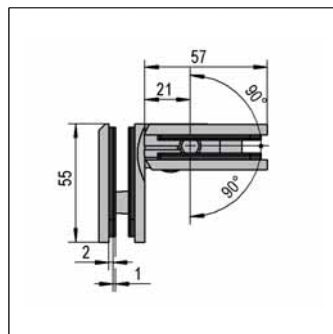
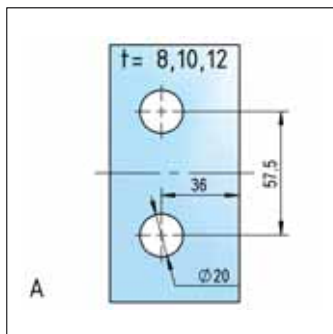
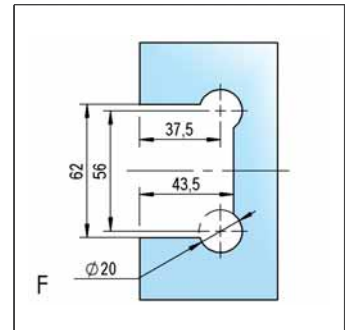
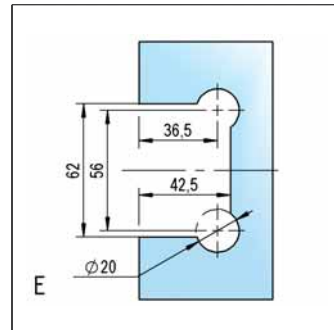
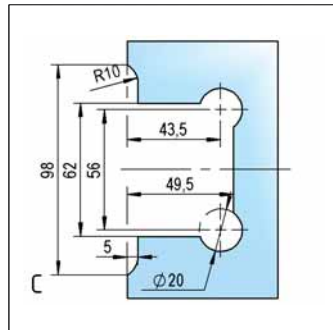
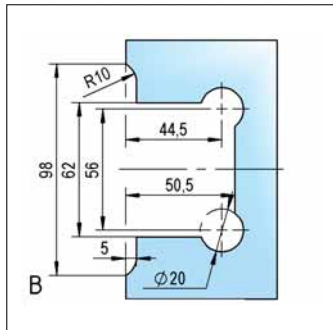
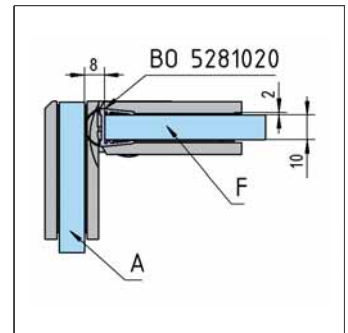
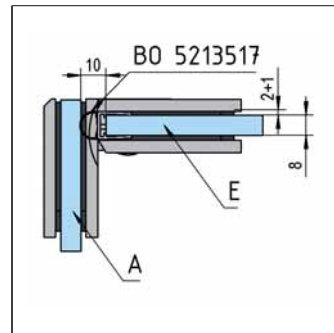
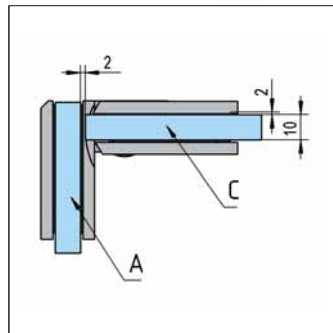
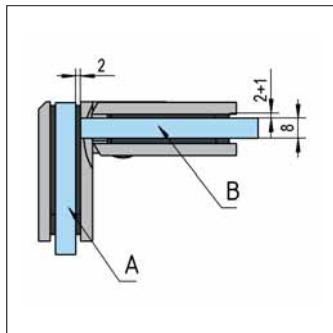
- Stepless zero position adjustment

ART NO.	COLOUR SCHEME
BO 5211557	Chrome-plated shiny
BO 5211558	Stainless steel colour brushed matt



## TECHNICAL DETAILS

- Door width: 1,000 mm
- Door height: 2,000 mm
- Max. door weight per pair: 40 kg
- Glass thickness ESG: 8 - 12 mm
- Material: Brass



# BILBAO PREMIUM SHOWER DOOR HINGE, GLASS-GLASS 180°

The Bilbao Premium glass-glass 180° swing shower door hinge has a load-bearing capacity of 40 kg. Doors up to max. 1 x 2 m can be achieved. The hinge for 180° glass-glass installation has been developed for modern, large glass shower rooms.

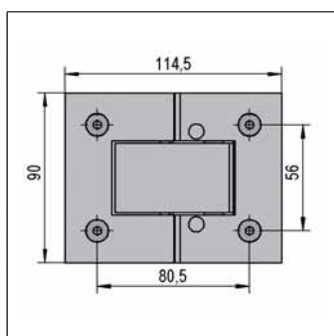
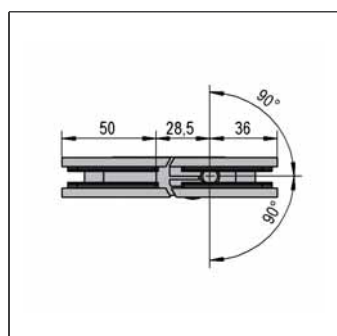
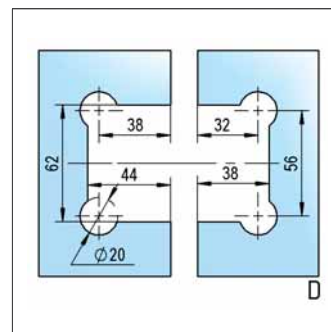
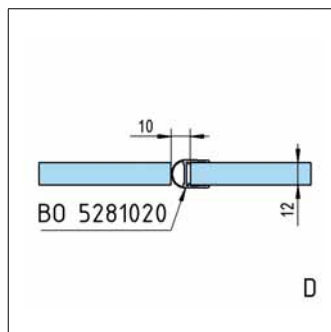
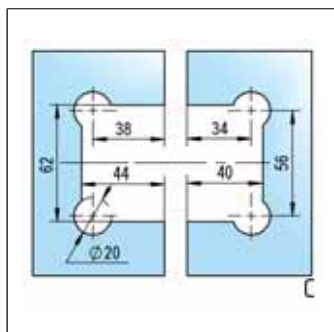
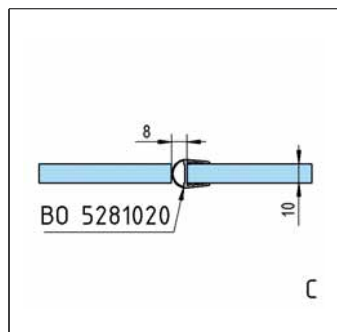
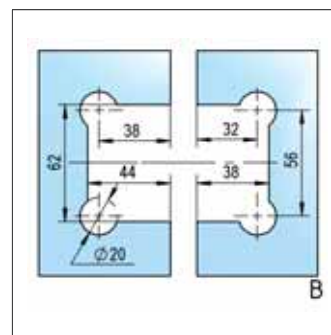
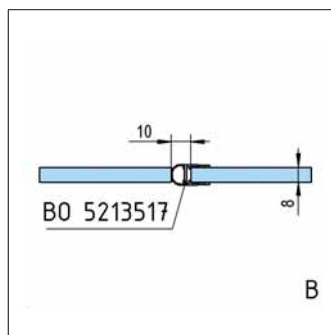
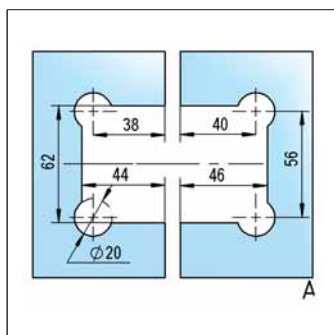
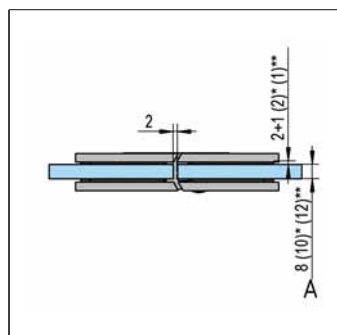
## YOUR BENEFITS

- Stepless zero position adjustment

ART NO.	COLOUR SCHEME
BO 5211555	Chrome-plated shiny
BO 5211556	Stainless steel colour brushed matt

## TECHNICAL DETAILS

- Door width: 1,000 mm
- Door height: 2,000 mm
- Max. door weight per pair: 40 kg
- Glass thickness ESG: 8 - 12 mm
- Material: Brass





## BILBAO PREMIUM HD ANGLE CONNECTOR, GLASS-WALL 90°



Bilbao Premium HD angle connector 90° glass-wall for connecting a fixed glass side panel to a wall. Only simple glass holes in the glass panes are required.

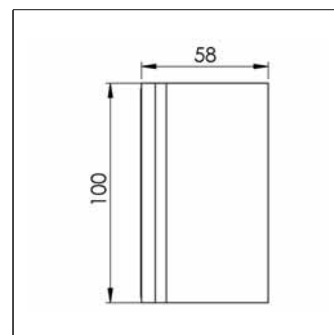
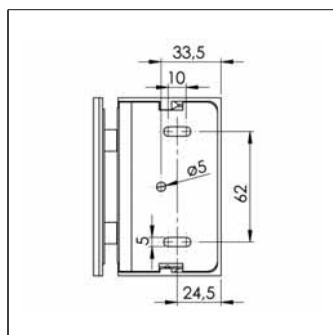
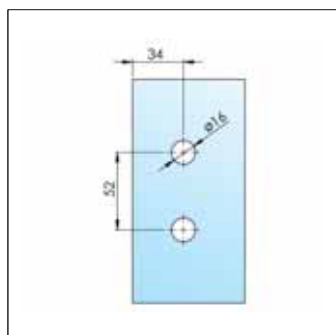
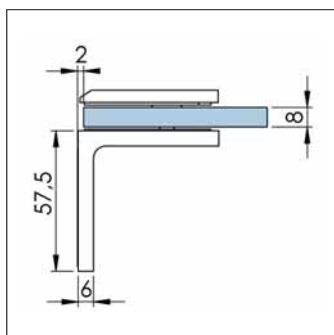
### YOUR BENEFITS

- Only glass drilling required
- Concealed screws

ART NO.	COLOUR SCHEME
BO 5211567N	Chrome-plated shiny
BO 5211568N	Stainless steel colour brushed matt

### TECHNICAL DETAILS

- Mounting type: Glass-Wall
- Angle: 90°
- Concealed wall fixings: Yes
- Material: Brass
- Flush: No



## BILBAO PREMIUM ANGLE CONNECTOR, GLASS-WALL 90°



Bilbao Premium angle connector 90° glass-wall for connecting a fixed glass side panel to a wall. Only simple glass holes in the glass panes are required.

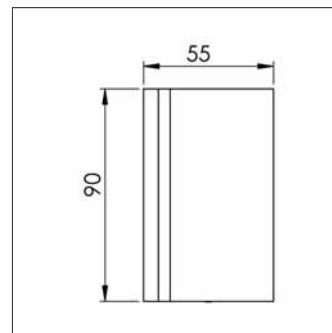
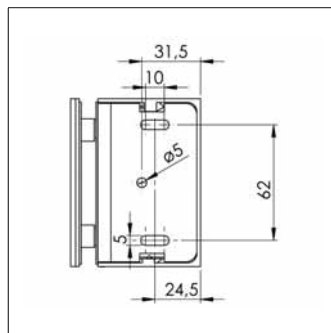
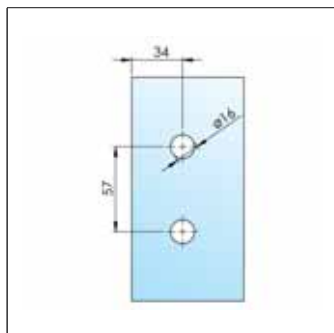
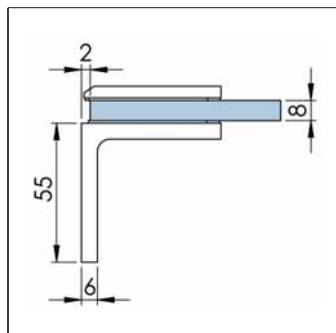
### YOUR BENEFITS

- Only glass drilling required
- Concealed screws

ART NO.	COLOUR SCHEME
BO 5211569N	Chrome-plated shiny
BO 5211570N	Stainless steel colour brushed matt

### TECHNICAL DETAILS

- Mounting type: Glass-Wall
- Angle: 90°
- Concealed wall fixings: Yes
- Material: Brass
- Flush: No



---

# Bilbao Select shower door fittings

---

The Bilbao Select shower door hinge range combines modern, angular design with practical technical details, and all at an excellent price-performance ratio. The fittings are made of brass and are suitable for glass thicknesses of 8 mm, 10 mm and 12 mm. The zero position is adjustable for all hinges. The automatic return zone of  $\pm 15^\circ$  to the zero position ensures convenient closing of the shower door. Outside this zone, the hinges hold any position.



# BILBAO SELECT SHOWER DOOR HINGE, GLASS-WALL 90°, BOTH SIDES WALL MOUNTED

The Bilbao Select glass-wall 90° swing shower door hinge has a load-bearing capacity of 40 kg. Doors up to max. 1 x 2 m can be achieved. The hinge enables a glass door to be mounted on a wall, for example, for classic recess or 90° corner showers.

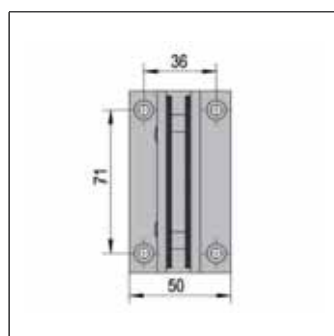
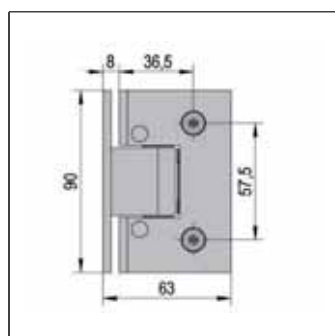
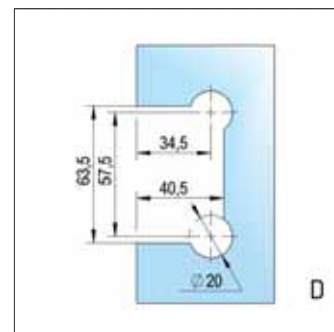
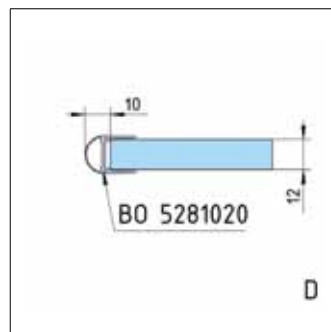
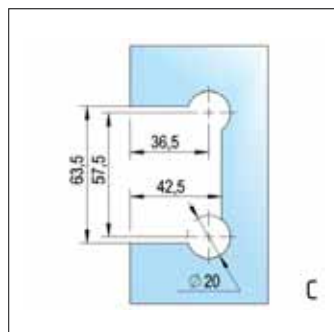
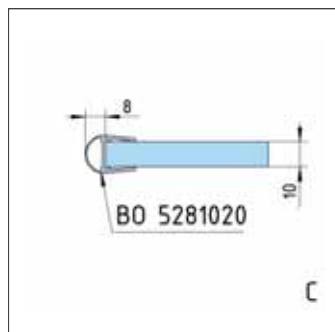
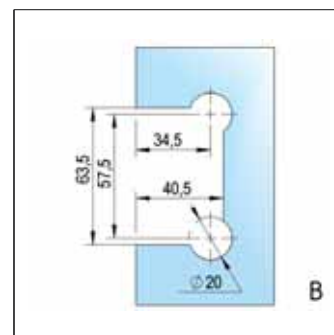
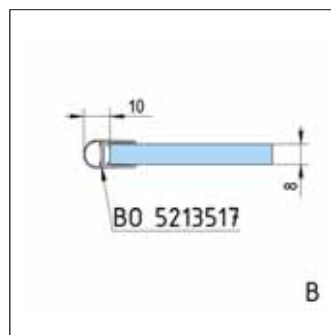
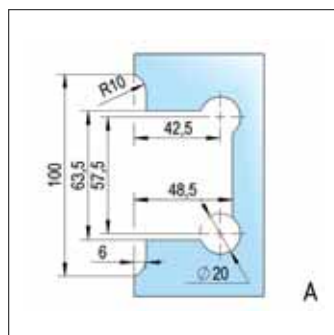
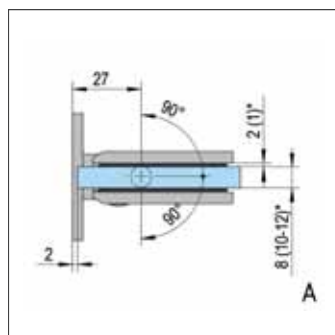
## YOUR BENEFITS

- Stepless zero position adjustment

ART NO.	COLOUR SCHEME	WALL CONNECTION
BO 5211516	Chrome-plated shiny	On both sides
BO 5211517	Stainless steel colour brushed matt	On both sides
BO 5211912	Brass polished	On both sides
BO 5211913	Brass brushed	On both sides

## TECHNICAL DETAILS

- Door width: 1,000 mm
- Door height: 2,000 mm
- Max. door weight per pair: 40 kg
- Glass thickness ESG: 8 - 12 mm
- Material: Brass



# BILBAO SELECT SHOWER DOOR HINGE, GLASS-WALL 90°, ONE SIDE WALL MOUNTED



The Bilbao Select glass-wall 90° swing shower door hinge has a load-bearing capacity of 40 kg. Doors up to max. 1 x 2 m can be achieved. The hinge enables a glass door to be mounted on a wall, for example, for classic recess or 90° corner showers.

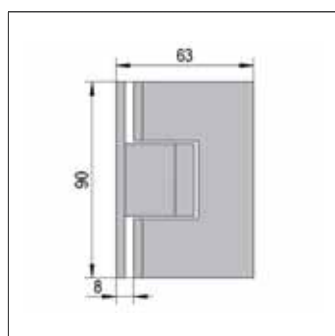
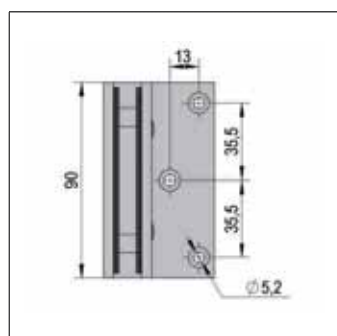
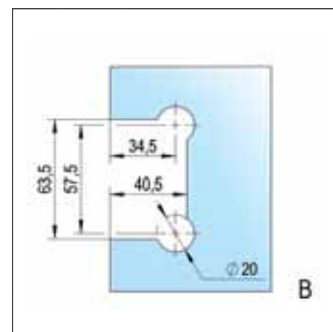
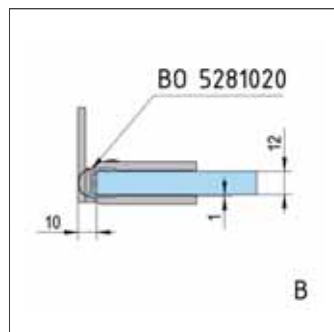
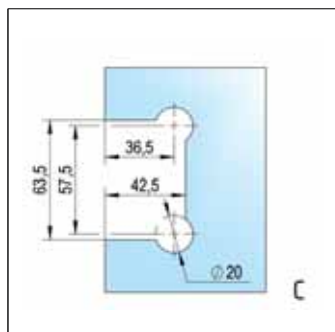
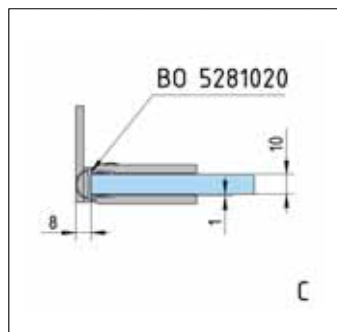
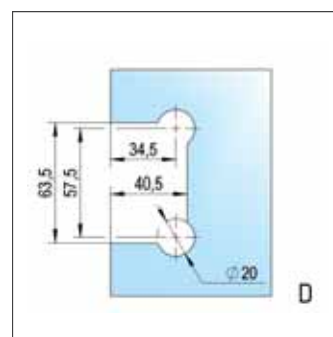
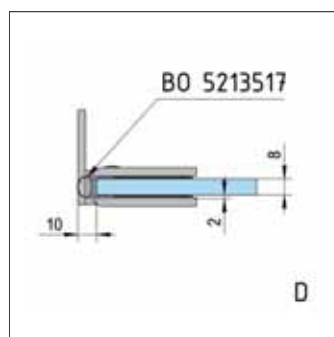
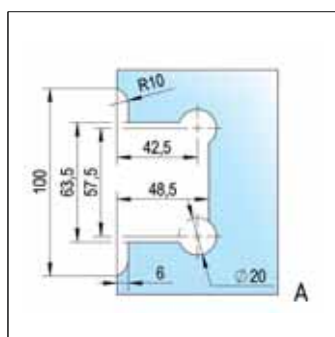
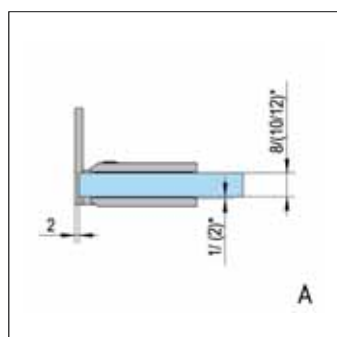
## YOUR BENEFITS

- Stepless zero position adjustment

ART NO.	COLOUR SCHEME	WALL CONNECTION
BO 5211546	Chrome-plated shiny	One-sided
BO 5211547	Stainless steel colour brushed matt	One-sided
BO 5211546B	Black matt	One-sided
BO 5211908	Brass polished	One-sided
BO 5211909	Brass brushed	One-sided

## TECHNICAL DETAILS

- Door width: 1,000 mm
- Door height: 2,000 mm
- Max. door weight per pair: 40 kg
- Glass thickness ESG: 8 - 12 mm
- Material: Brass



# BILBAO SELECT SHOWER DOOR HINGE, GLASS-GLASS 90°

The Bilbao Select glass-glass 90° swing shower door hinge has a load-bearing capacity of 40 kg. Doors up to max. 1 x 2 m can be achieved. The hinge for 90° glass-glass installation is designed for attaching a door to a fixed glass side panel.

## YOUR BENEFITS

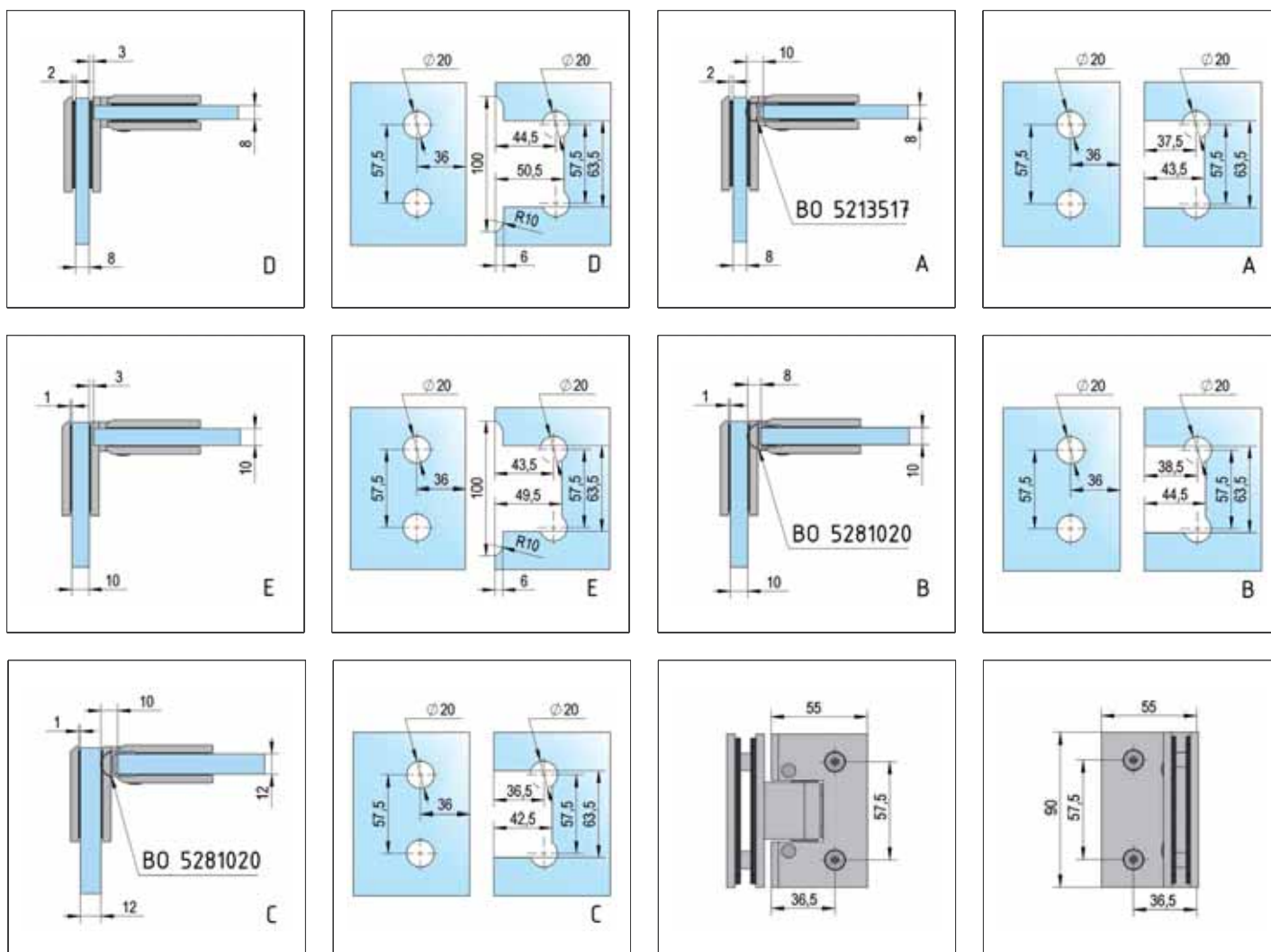
- Stepless zero position adjustment

ART NO.	COLOUR SCHEME
BO 5211806	Chrome-plated shiny



## TECHNICAL DETAILS

- Door width: 1,000 mm
- Door height: 2,000 mm
- Max. door weight per pair: 40 kg
- Glass thickness ESG: 8 - 12 mm
- Material: Brass



# BILBAO SELECT SHOWER DOOR HINGE, GLASS-GLASS 135°

The Bilbao Select glass-glass 135° swing shower door hinge has a load-bearing capacity of 40 kg. Doors up to max. 1 x 2 m can be achieved. The hinge for 135° glass-glass installation is designed, for example, for modern and space-saving pentagonal showers.

## YOUR BENEFITS

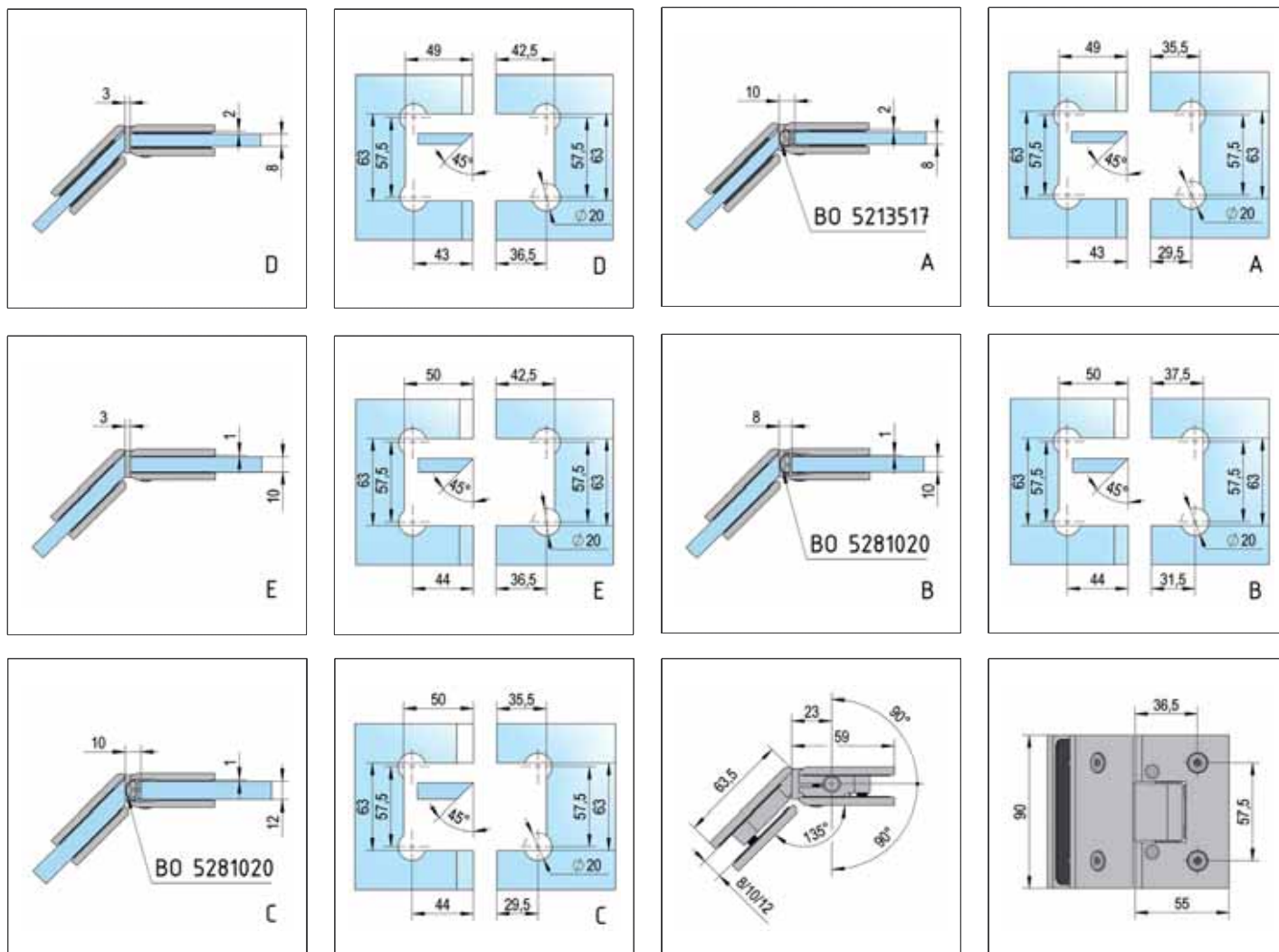
- Stepless zero position adjustment

ART NO.	COLOUR SCHEME
BO 5211906	Chrome-plated shiny



## TECHNICAL DETAILS

- Door width: 1,000 mm
- Door height: 2,000 mm
- Max. door weight per pair: 40 kg
- Glass thickness ESG: 8 - 12 mm
- Material: Brass





# BILBAO SELECT SHOWER DOOR HINGE, GLASS-GLASS 180°

The Bilbao Select glass-glass 180° swing shower door hinge has a load-bearing capacity of 40 kg. Doors up to max. 1 x 2 m can be achieved. The hinge for 180° glass-glass installation has been developed for modern, large glass shower rooms.

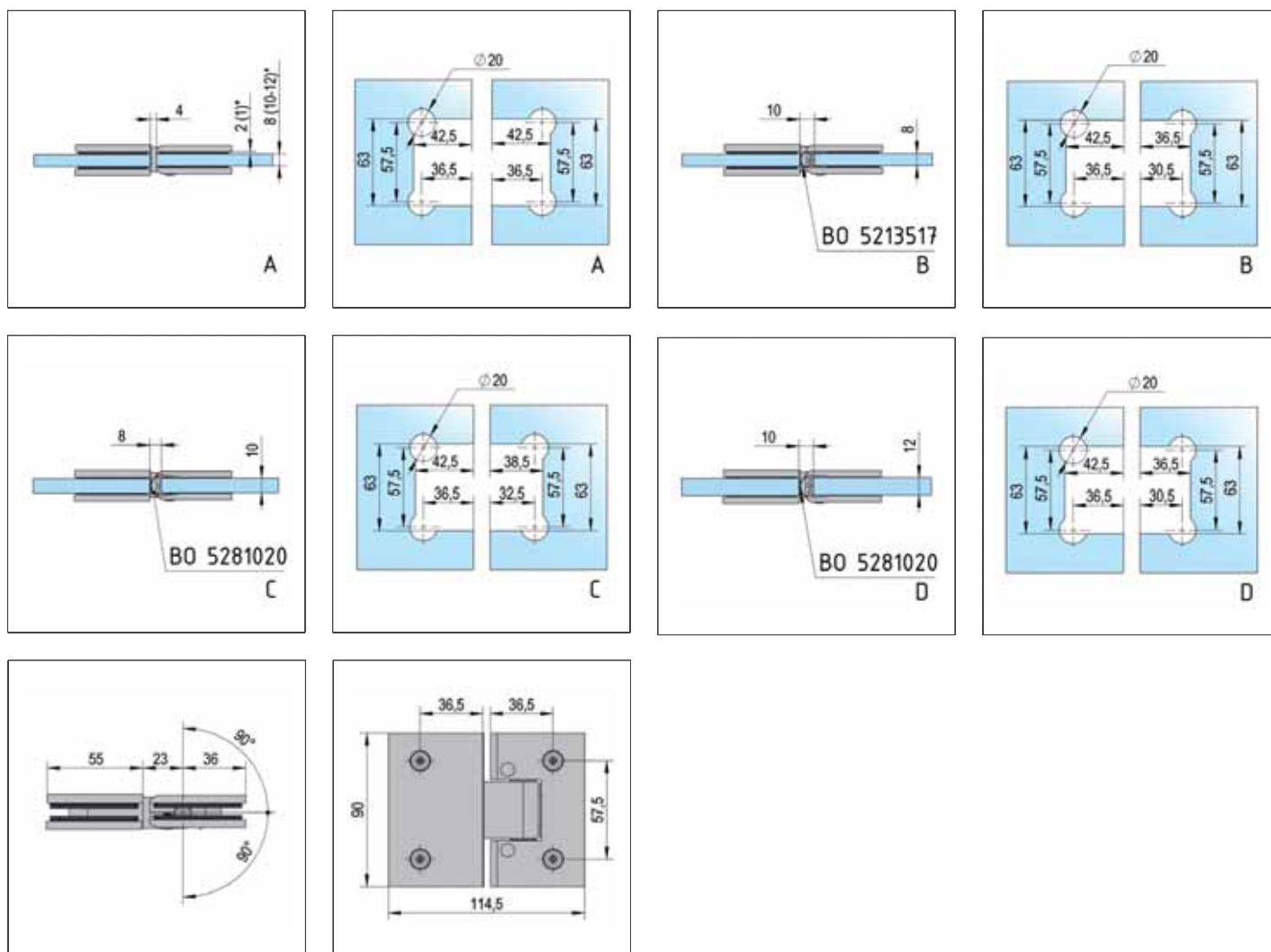
## YOUR BENEFITS

- Stepless zero position adjustment

ART NO.	COLOUR SCHEME
BO 5211716	Chrome-plated shiny
BO 5211717	Stainless steel colour brushed matt
BO 5211716B	Black matt
BO 5211916	Brass polished
BO 5211917	Brass brushed

## TECHNICAL DETAILS

- Door width: 1,000 mm
- Door height: 2,000 mm
- Max. door weight per pair: 40 kg
- Glass thickness ESG: 8 - 12 mm
- Material: Brass



## BILBAO SELECT ANGLE CONNECTOR, GLASS-WALL 90°

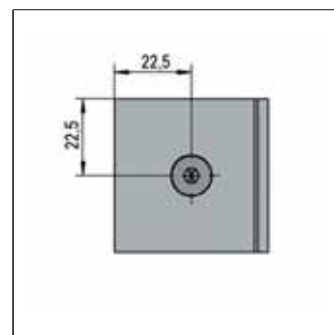
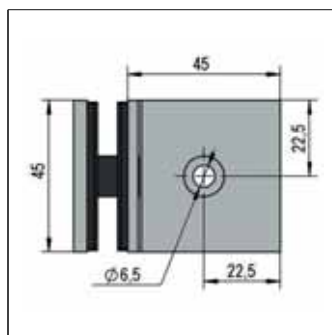
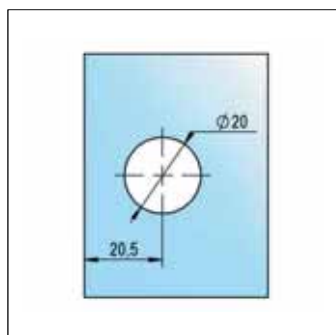
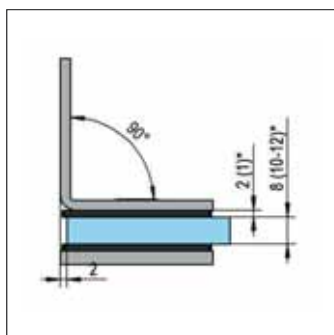
Bilbao Select 90° glass-wall angle connector for connecting a fixed glass side panel to a wall. Only simple glass holes in the glass panes are required.



ART NO.	COLOUR SCHEME
BO 5213140	Chrome-plated shiny

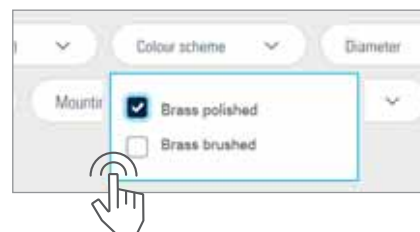
### TECHNICAL DETAILS

- Mounting type: Glass-Wall
- Glass thickness ESG: 8 - 12 mm
- Concealed wall fixings: No
- Material: Stainless steel V2A
- Flush: No



## Matching accessories for BILBAO SELECT now also in polished and brushed brass

You can find suitable stabilisation bars, U-channels and doorknobs in our shop: simply scan the QR code and select the colour scheme.



### Stabilising bars and brackets



### Shower doorknobs



### U-profiles



## BILBAO ANGLE CONNECTOR, GLASS-WALL 90°

Bilbao 90° glass-wall angle connector for connecting a fixed glass side panel to a wall. Only simple glass drill holes are required in the glass panel.

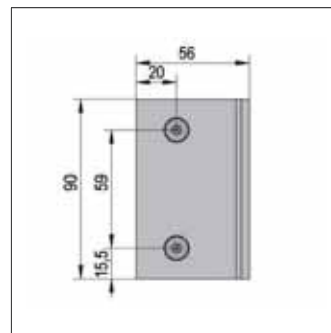
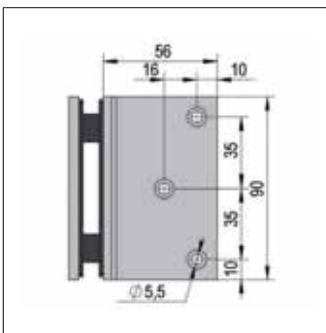
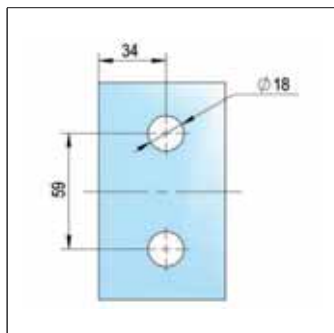
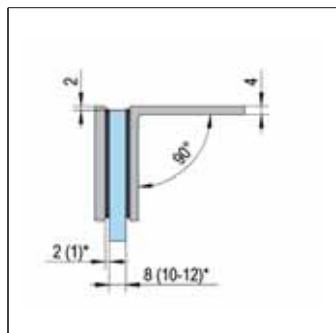
### YOUR BENEFITS

- Only glass drilling required
- Efficient assembly with just one tool

ART NO.	COLOUR SCHEME
<b>BO 5213142</b>	Chrome-plated shiny
<b>BO 5213143</b>	Stainless steel colour brushed matt
<b>BO 5213142B</b>	Black matt

### TECHNICAL DETAILS

- Mounting type: Glass-Wall
- Glass thickness ESG: 8 - 12 mm
- Angle: 90°
- Concealed wall fixings: No
- Material: Brass



## BILBAO CONNECTOR, GLASS-WALL 90°



Bilbao connector / clamping bracket glass-wall 90° for connecting a fixed glass side panel to a wall. Due to the design, there are no obtrusive side fixing brackets.

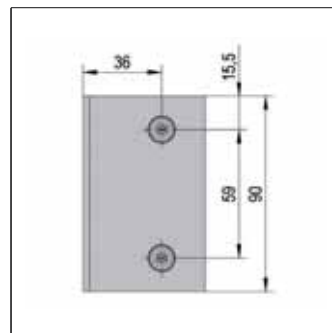
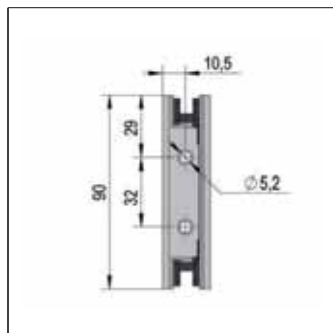
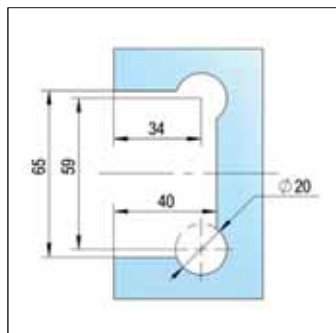
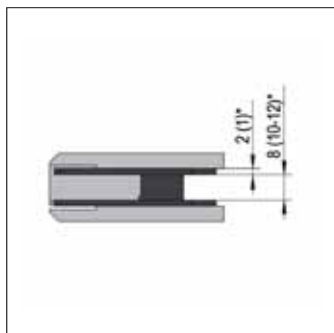
### YOUR BENEFITS

- Efficient assembly with just one tool
- No obtrusive side fixing brackets

ART NO.	COLOUR SCHEME
BO 5218420	Chrome-plated shiny

### TECHNICAL DETAILS

- Mounting type: Glass-Wall
- Glass thickness ESG: 8 - 12 mm
- Angle: 90°
- Concealed wall fixings: Yes
- Material: Brass



## BILBAO SELECT ANGLE CONNECTOR, GLASS-GLASS 90°

Bilbao Select 90° glass-glass angle connector for connecting two glass side panels at right angles to each other. Only simple glass holes in the glass panes are required.



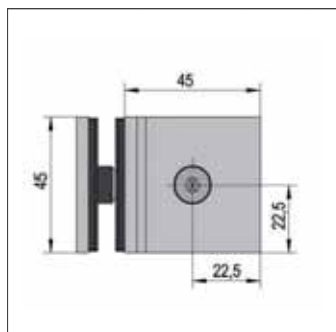
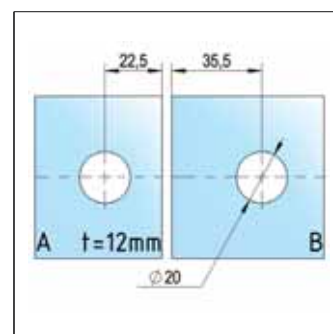
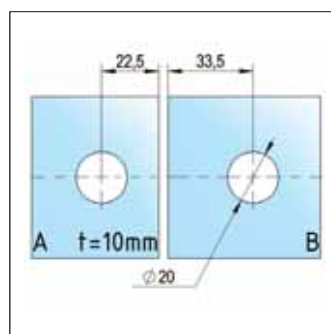
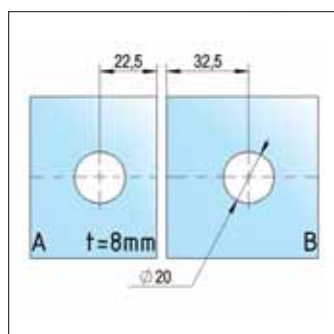
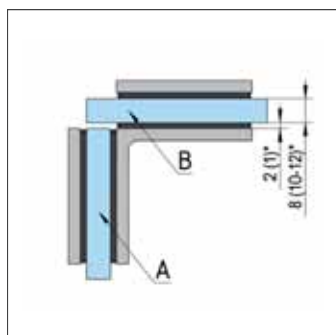
### YOUR BENEFITS

- Only glass drilling required

ART NO.	COLOUR SCHEME
BO 5213150	Chrome-plated shiny
BO 5213151	Stainless steel colour brushed matt

### TECHNICAL DETAILS

- Mounting type: Glass-Glass
- Glass thickness ESG: 8 - 12 mm
- Angle: 90°
- Material: Brass
- Flush: No



# BILBAO ANGLE CONNECTOR, GLASS-GLASS 90°



Bilbao 90° glass-glass angle connector for connecting two fixed glass side panels. Only simple glass drill holes are required in the glass panes.

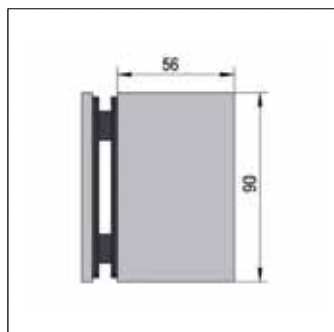
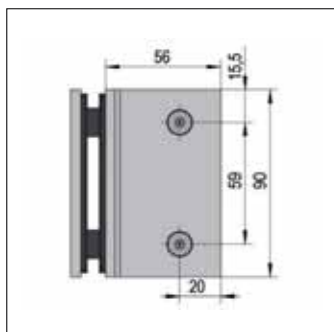
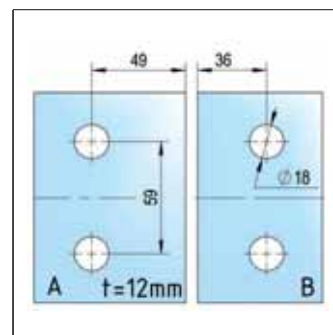
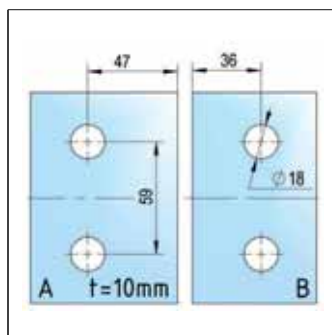
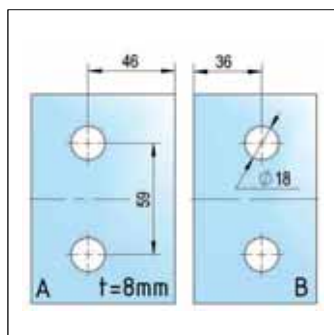
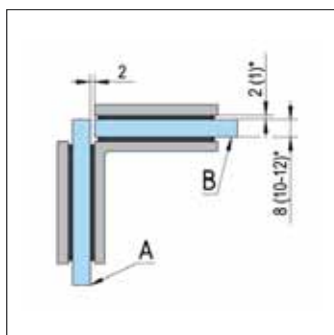
## YOUR BENEFITS

- Only glass drilling required
- Efficient assembly with just one tool

ART NO.	COLOUR SCHEME
BO 5213152	Chrome-plated shiny
BO 5213153	Stainless steel colour brushed matt
BO 5213152B	Black matt

## TECHNICAL DETAILS

- Mounting type: Glass-Glass
- Glass thickness ESG: 8 - 12 mm
- Angle: 90°
- Material: Brass



## BILBAO SIDE CONNECTOR, GLASS-GLASS 180°



The glass-glass 180° Bilbao side connectors enable the installation of wide glass fronts when a one-piece construction is not possible for reasons of space or weight. Only glass drill holes are required.

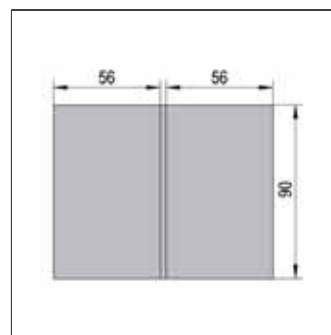
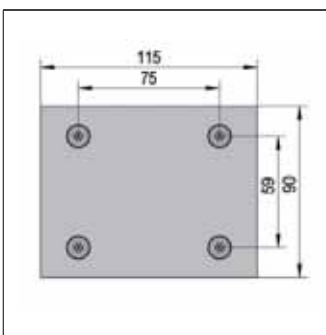
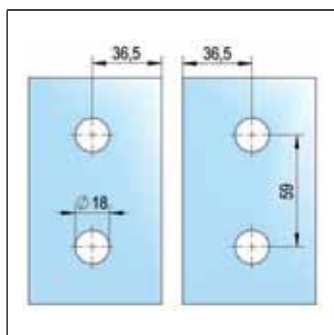
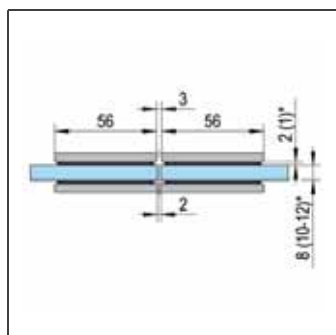
### YOUR BENEFITS

- Only glass drilling required
- Efficient assembly with only one tool

ART NO.	COLOUR SCHEME
BO 5213162	Chrome-plated shiny
BO 5213163	Stainless steel colour brushed matt

### TECHNICAL DETAILS

- Mounting type: Glass-Glass
- Glass thickness ESG: 8 - 12 mm
- Material: Brass





# Bilbao shower door fittings

The Bilbao shower door hinge series combines modern, angular design with useful technical details. Thanks to its versatility and functionality, as well as its excellent price-performance ratio, the range impresses builders, planners and architects alike. Bilbao has a self-closing function up to an opening angle of approx.  $\pm 15^\circ$ . Outside this range, the hinge remains in any position.

## BILBAO SHOWER DOOR HINGE, GLASS-WALL 90°, ONE SIDE WALL MOUNTED

The Bilbao glass-wall 90° swing shower door hinge has a load-bearing capacity of 36 kg. Doors up to 0.9 x 2 m can be achieved. The hinge enables a glass door to be mounted on a wall, for example for classic recess or 90° corner showers.

### YOUR BENEFITS

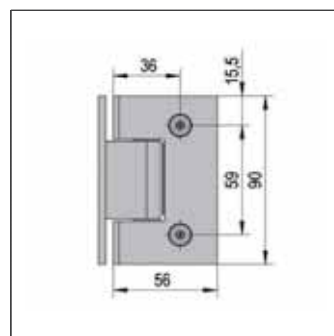
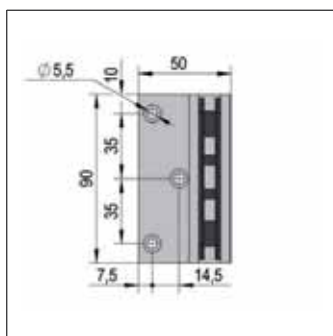
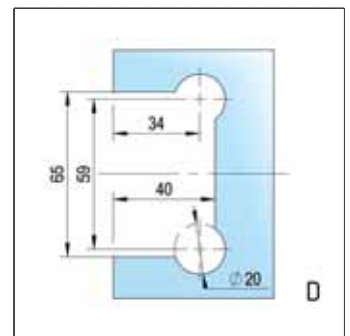
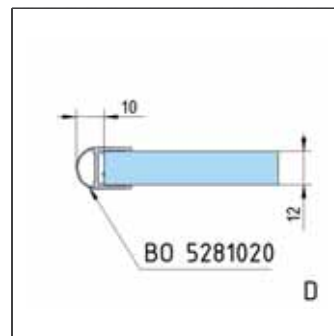
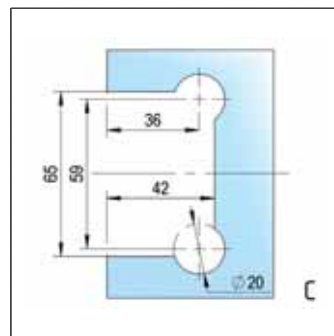
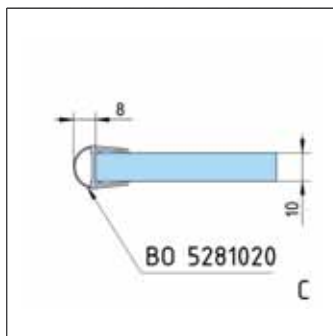
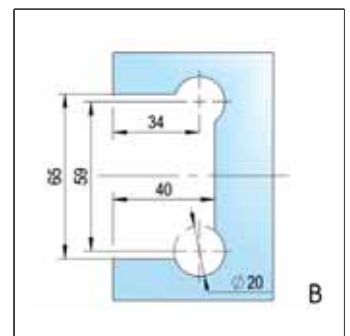
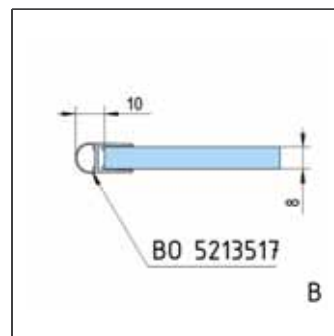
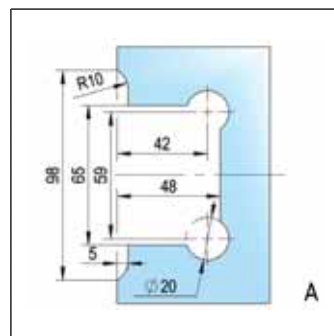
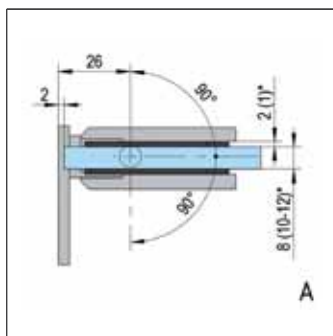
- Efficient assembly with only one tool
- Zero position with hold position



ART NO.	COLOUR SCHEME	WALL CONNECTION
BO 5211549	Chrome-plated shiny	One-sided
BO 5211550	Stainless steel colour brushed matt	One-sided

### TECHNICAL DETAILS

- Door width: 900 mm
- Door height: 2,000 mm
- Max. door weight per pair: 36 kg
- Glass thickness ESG: 8 - 12 mm
- Material: Brass



# BILBAO SHOWER DOOR HINGE, GLASS-WALL 90°, BOTH SIDES WALL MOUNTED

The Bilbao glass-wall 90° swing shower door hinge has a load-bearing capacity of 36 kg. Doors up to 0.9 x 2 m can be achieved. The hinge enables a glass door to be mounted on a wall, for example for classic recess or 90° corner showers.

## YOUR BENEFITS

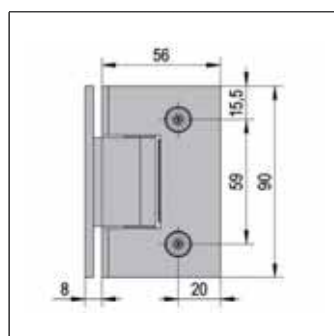
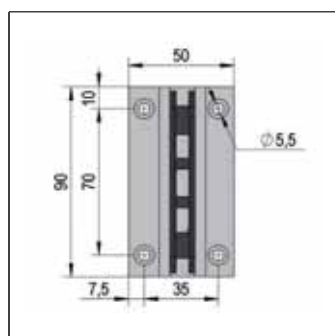
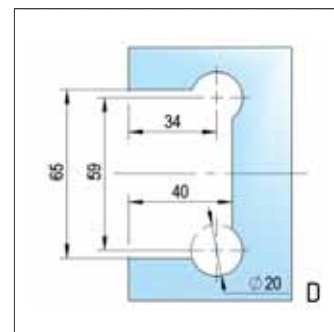
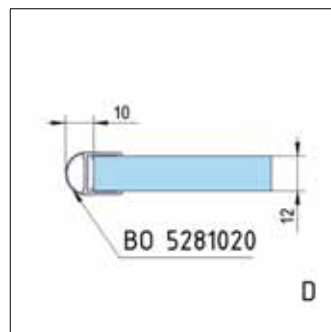
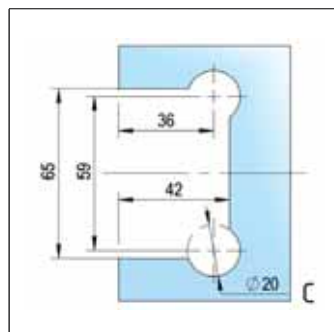
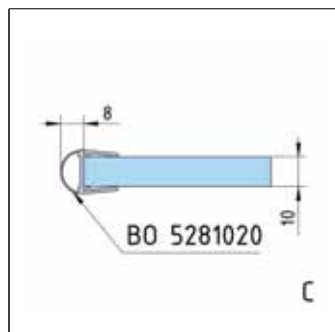
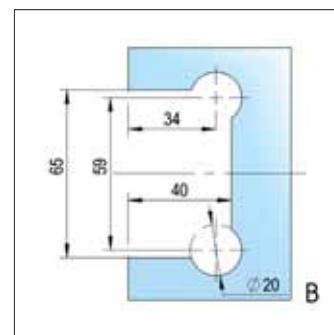
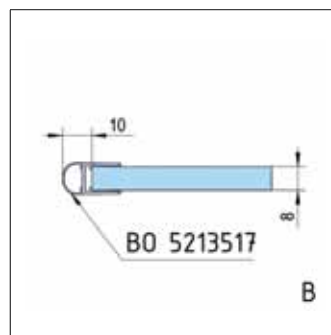
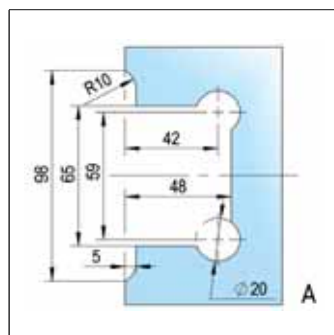
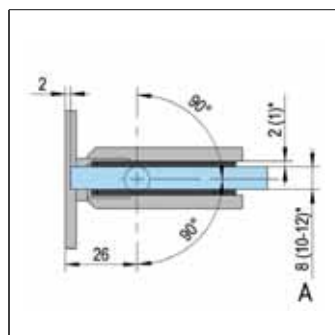
- Efficient assembly with only one tool
- Zero position with hold position



ART NO.	COLOUR SCHEME	WALL CONNECTION
BO 5218010	Chrome-plated shiny	On both sides

## TECHNICAL DETAILS

- Door width: 900 mm
- Door height: 2,000 mm
- Max. door weight per pair: 36 kg
- Glass thickness ESG: 8 - 12 mm
- Material: Brass



# BILBAO SHOWER DOOR HINGE, GLASS-GLASS 180°



The Bilbao glass-glass 180° swing shower door hinge has a load capacity of 36 kg. Doors up to 0.9 x 2 m can be achieved. The hinge for 180° glass-glass installation has been developed for modern, large glass shower rooms.

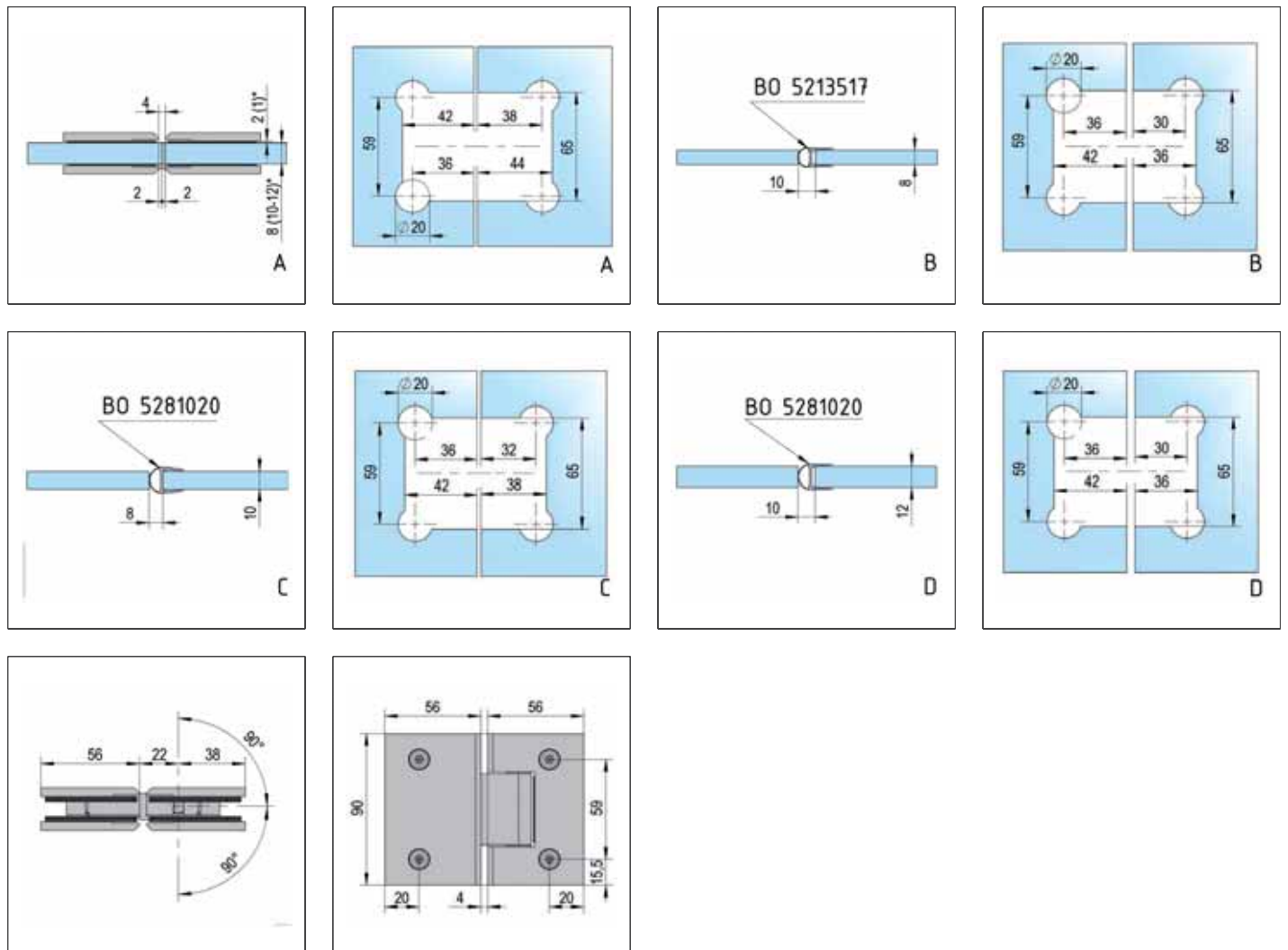
### YOUR BENEFITS

- Efficient assembly with only one tool
- Zero position with catch position

ART NO.	COLOUR SCHEME
BO 5218210	Chrome-plated shiny
BO 5218211	Stainless steel colour brushed matt

### TECHNICAL DETAILS

- Door width: 900 mm
- Door height: 2,000 mm
- Max. door weight per pair: 36 kg
- Glass thickness ESG: 8 - 12 mm
- Material: Brass



## BILBAO ANGLE CONNECTOR, GLASS-WALL 90°

Bilbao 90° glass-wall angle connector for connecting a fixed glass side panel to a wall. Only simple glass drill holes are required in the glass panel.

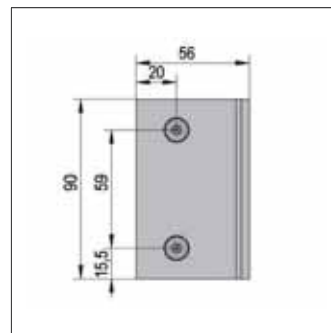
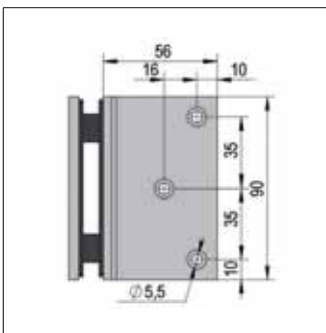
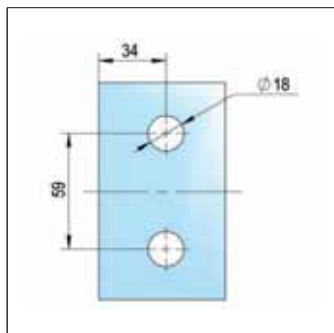
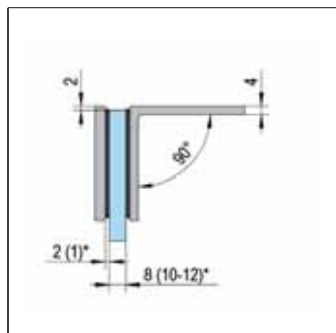
### YOUR BENEFITS

- Only glass drilling required
- Efficient assembly with just one tool

ART NO.	COLOUR SCHEME
<b>BO 5213142</b>	Chrome-plated shiny
<b>BO 5213143</b>	Stainless steel colour brushed matt
<b>BO 5213142B</b>	Black matt

### TECHNICAL DETAILS

- Mounting type: Glass-Wall
- Glass thickness ESG: 8 - 12 mm
- Angle: 90°
- Concealed wall fixings: No
- Material: Brass



## BILBAO CONNECTOR, GLASS-WALL 90°



Bilbao connector / clamping bracket glass-wall 90° for connecting a fixed glass side panel to a wall. Due to the design, there are no obtrusive side fixing brackets.

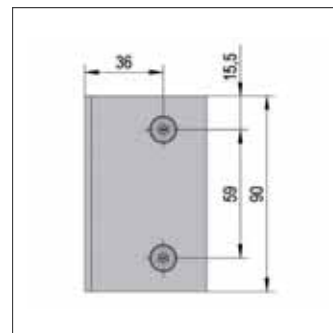
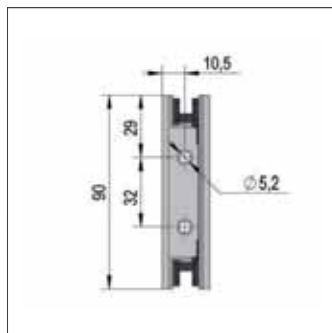
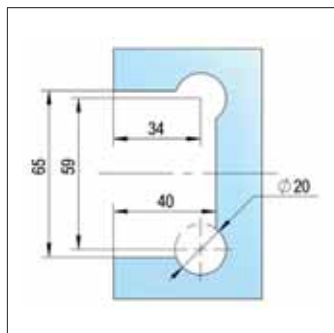
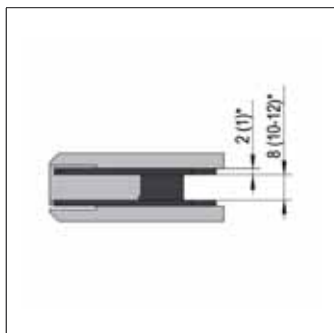
### YOUR BENEFITS

- Efficient assembly with just one tool
- No obtrusive side fixing brackets

ART NO.	COLOUR SCHEME
BO 5218420	Chrome-plated shiny

### TECHNICAL DETAILS

- Mounting type: Glass-Wall
- Glass thickness ESG: 8 - 12 mm
- Angle: 90°
- Concealed wall fixings: Yes
- Material: Brass



# BILBAO ANGLE CONNECTOR, GLASS-GLASS 90°

Bilbao



Bilbao 90° glass-glass angle connector for connecting two fixed glass side panels. Only simple glass drill holes are required in the glass panes.

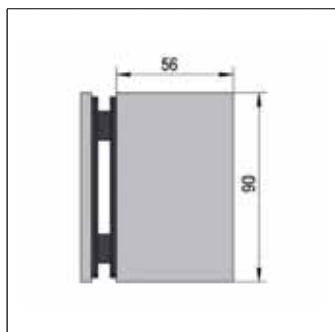
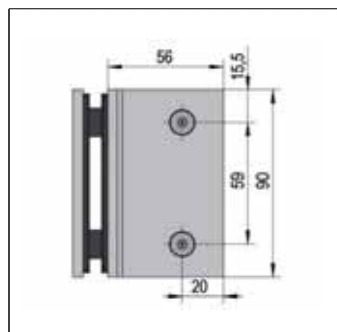
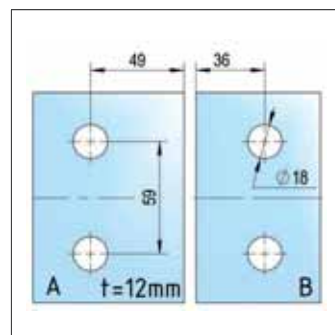
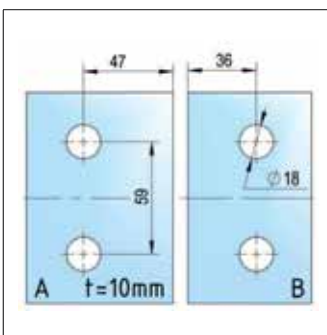
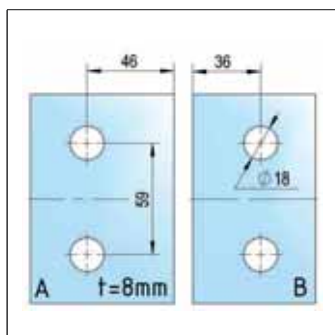
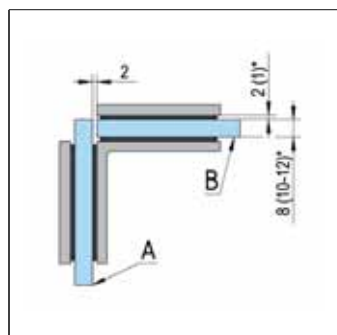
### YOUR BENEFITS

- Only glass drilling required
- Efficient assembly with just one tool

ART NO.	COLOUR SCHEME
BO 5213152	Chrome-plated shiny
BO 5213153	Stainless steel colour brushed matt
BO 5213152B	Black matt

### TECHNICAL DETAILS

- Mounting type: Glass-Glass
- Glass thickness ESG: 8 - 12 mm
- Angle: 90°
- Material: Brass



## BILBAO SIDE CONNECTOR, GLASS-GLASS 180°



The glass-glass 180° Bilbao side connectors enable the installation of wide glass fronts when a one-piece construction is not possible for reasons of space or weight. Only glass drill holes are required.

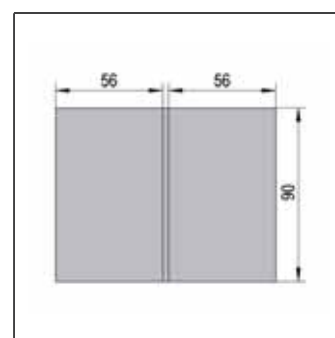
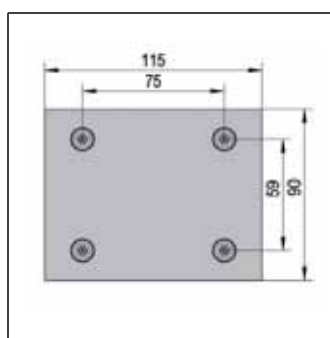
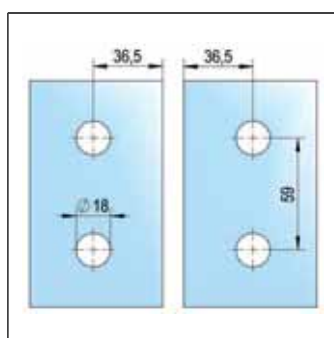
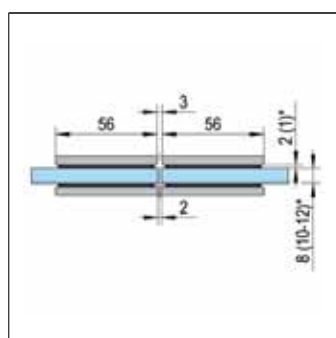
### YOUR BENEFITS

- Only glass drilling required
- Efficient assembly with only one tool

ART NO.	COLOUR SCHEME
BO 5213162	Chrome-plated shiny
BO 5213163	Stainless steel colour brushed matt

### TECHNICAL DETAILS

- Mounting type: Glass-Glass
- Glass thickness ESG: 8 - 12 mm
- Material: Brass





---

# Barcelona Select shower door fittings

---

Barcelona is the perfect shower door hinge series for the comfortable family bathroom. The harmonious design with rounded corners is versatile in its use.



# BARCELONA SELECT SHOWER DOOR HINGE, GLASS-WALL 90°, ONE SIDE WALL MOUNTED



The Barcelona Select glass-wall 90° swing shower door hinge has a load capacity of 40 kg. Doors up to 1 x 2 m can be achieved. The 90° glass-wall mounting allows a glass door to be mounted on a wall.

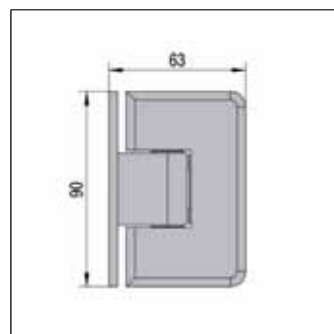
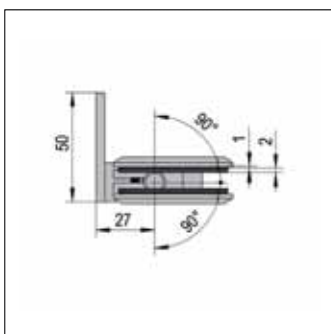
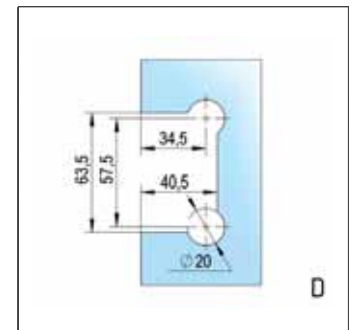
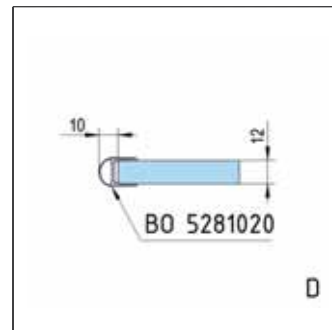
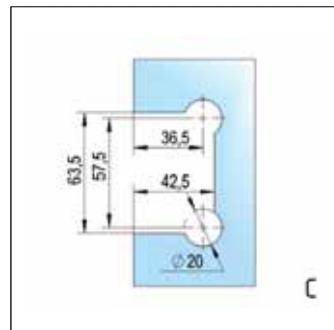
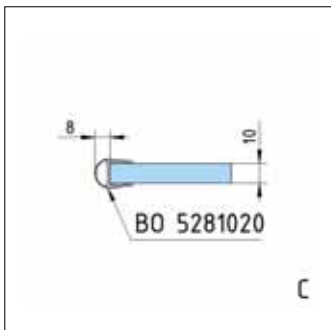
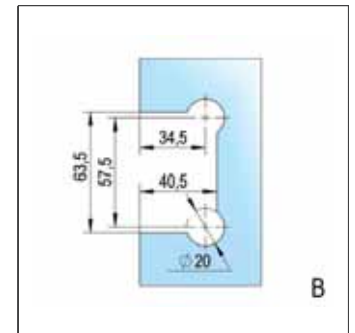
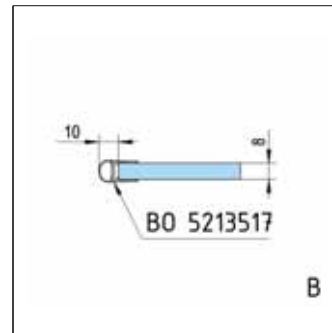
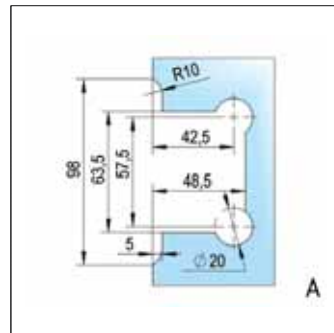
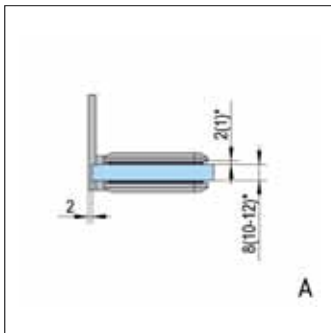
## YOUR BENEFITS

- Self-closing from approx. 15°
- Stepless zero position adjustment

ART NO.	COLOUR SCHEME	WALL CONNECTION
BO 5219110	Chrome-plated shiny	One-sided
BO 5219111	Stainless steel colour brushed matt	One-sided

## TECHNICAL DETAILS

- Door width: 1,000 mm
- Door height: 2,000 mm
- Max. door weight per pair: 40 kg
- Glass thickness ESG: 8 - 12 mm
- Material: Brass



# BARCELONA SELECT SHOWER DOOR HINGE, GLASS-WALL 90°, BOTH SIDES WALL MOUNTED

The Barcelona Select glass-wall 90° swing shower door hinge has a load capacity of 40 kg. Doors up to 1 x 2 m can be achieved. The 90° glass-wall mounting allows a glass door to be mounted on a wall.

## YOUR BENEFITS

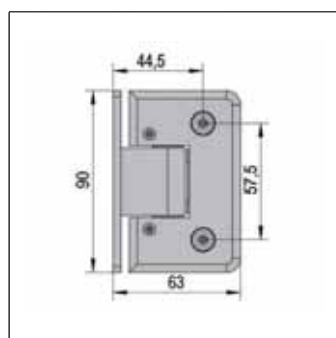
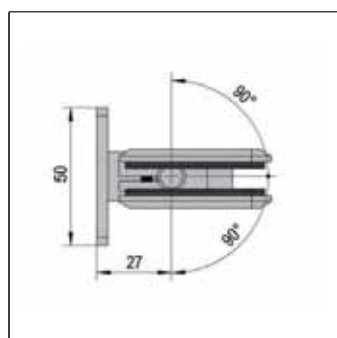
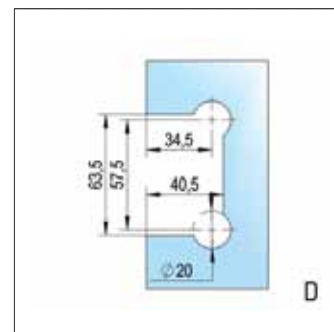
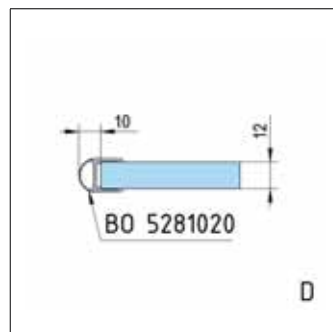
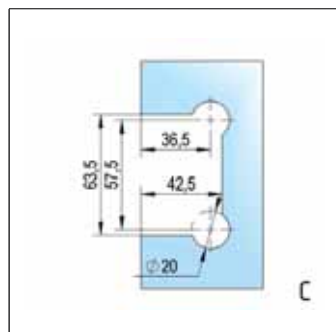
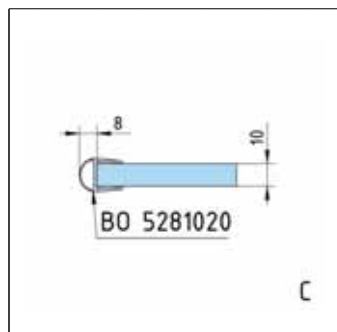
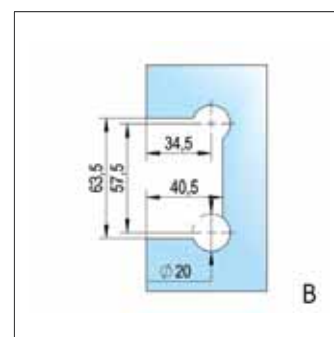
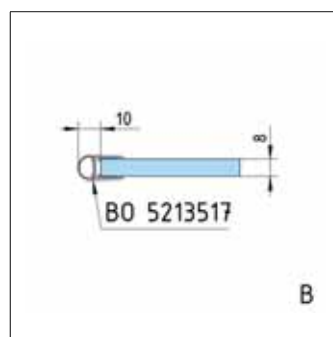
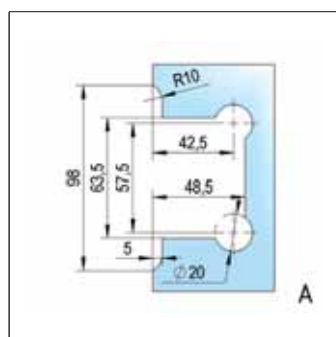
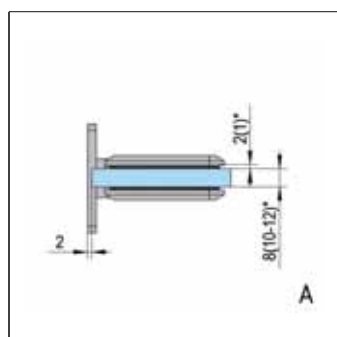
- Self-closing from approx. 15°
- Stepless zero position adjustment

ART NO.	COLOUR SCHEME	WALL CONNECTION
BO 5219114	Chrome-plated shiny	On both sides
BO 5219115	Stainless steel colour brushed matt	On both sides



## TECHNICAL DETAILS

- Door width: 1,000 mm
- Door height: 2,000 mm
- Max. door weight per pair: 40 kg
- Glass thickness ESG: 8 - 12 mm
- Material: Brass



# BARCELONA SELECT SHOWER DOOR HINGE, GLASS-GLASS 90°

The Barcelona Select glass-glass 90° swing shower door hinge has a load-bearing capacity of 40 kg. Doors up to max. 1 x 2 m can be achieved. The hinge for 90° glass-glass installation is designed for attaching a door to a fixed glass side panel.

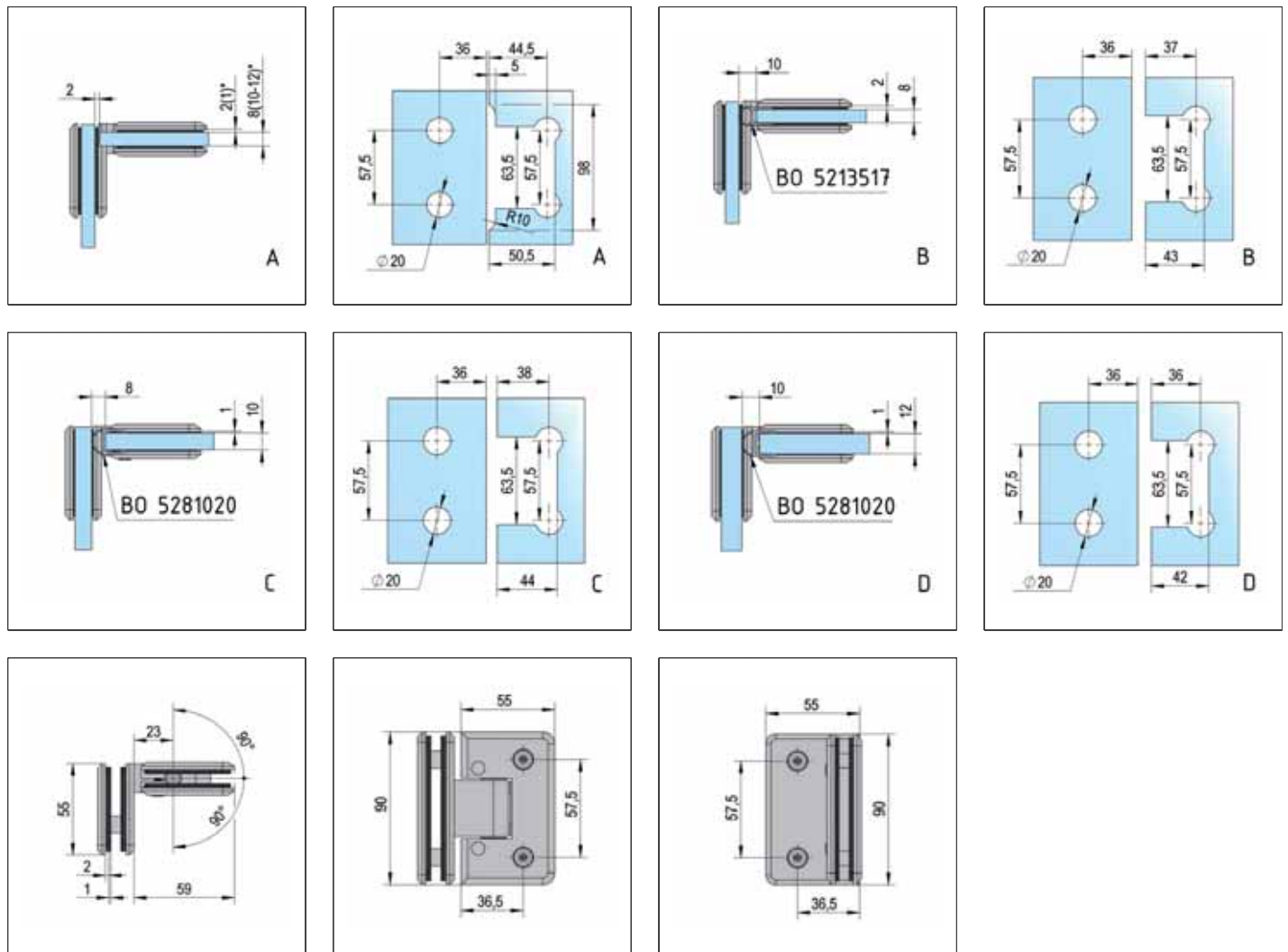
## YOUR BENEFITS

- Self-closing from approx. 15°
- Stepless zero position adjustment

ART NO.	COLOUR SCHEME
BO 5219126	Chrome-plated shiny

## TECHNICAL DETAILS

- Door width: 1,000 mm
- Door height: 2,000 mm
- Max. door weight per pair: 40 kg
- Glass thickness ESG: 8 - 12 mm
- Material: Brass



# BARCELONA SELECT SHOWER DOOR HINGE, GLASS-GLASS 135°

The Barcelona Select glass-glass 135° swing shower door hinge has a load capacity of 40 kg. Doors up to 1 x 2 m can be achieved. The hinge for 135° glass-glass installation is designed for modern and space-saving pentagonal showers, for example.

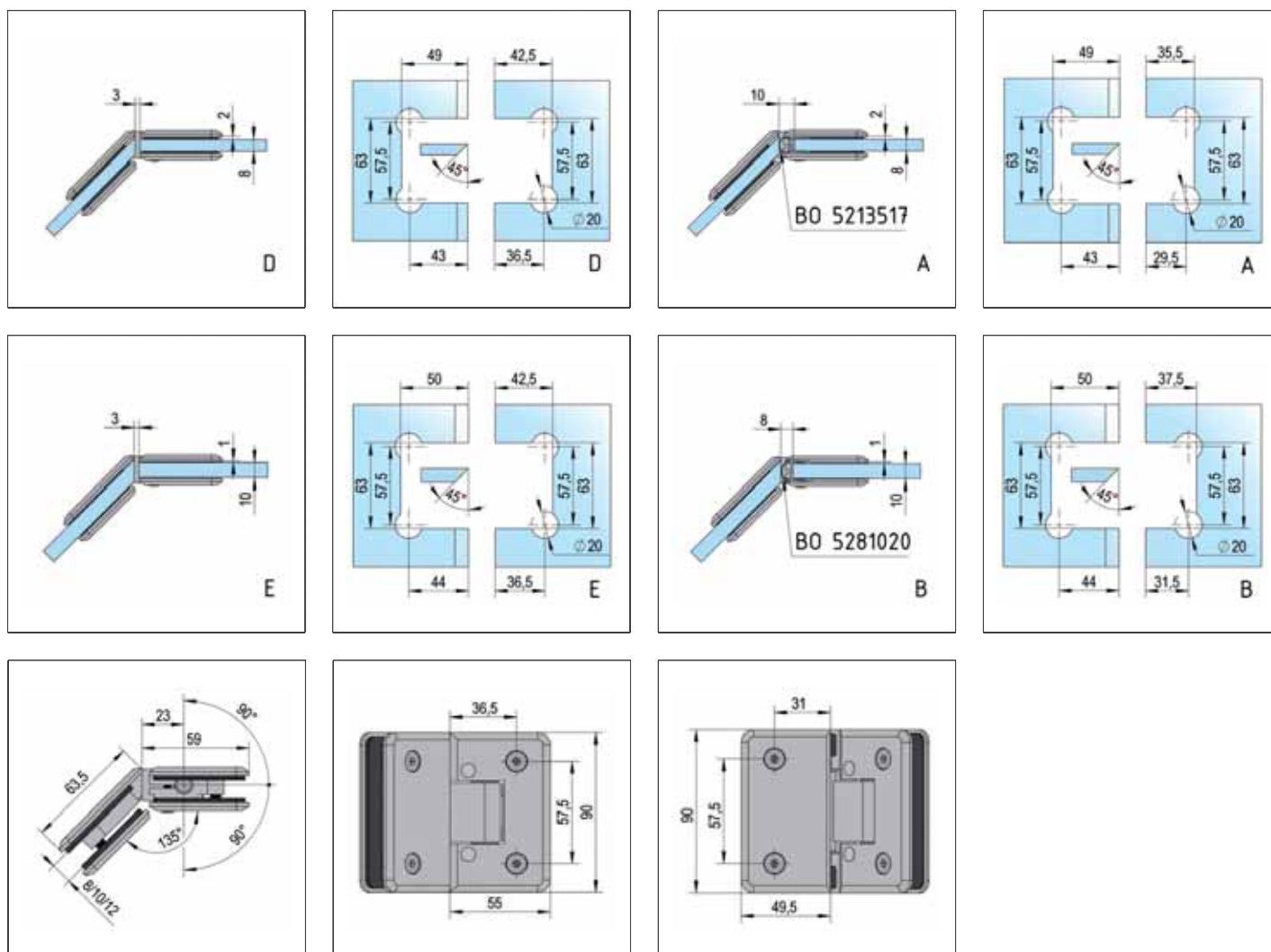
## YOUR BENEFITS

- Self-closing from approx. 15°
- Stepless zero position adjustment

ART NO.	COLOUR SCHEME
BO 5219122	Chrome-plated shiny

## TECHNICAL DETAILS

- Door width: 1,000 mm
- Door height: 2,000 mm
- Max. door weight per pair: 40 kg
- Glass thickness ESG: 8 - 12 mm
- Material: Brass



# BARCELONA SELECT SHOWER DOOR HINGE, GLASS-GLASS 180°

The Barcelona Select glass-glass 180° swing shower door hinge has a load capacity of 40 kg. Doors up to 1 x 2 m can be achieved. The hinge enables a glass door to be installed flush with a fixed glass side panel.

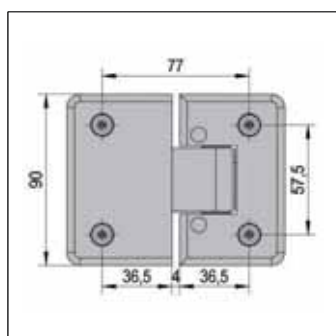
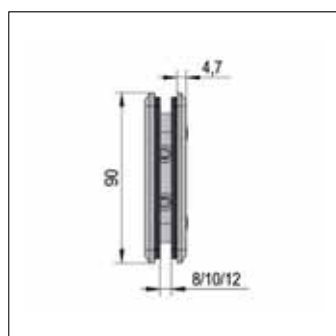
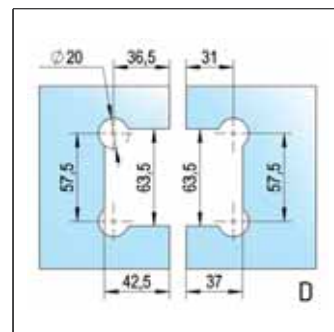
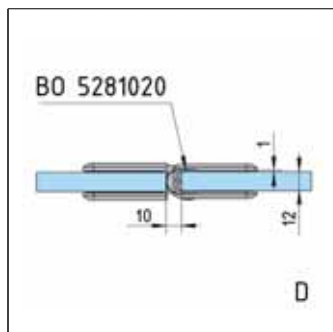
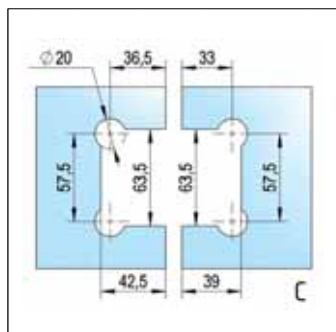
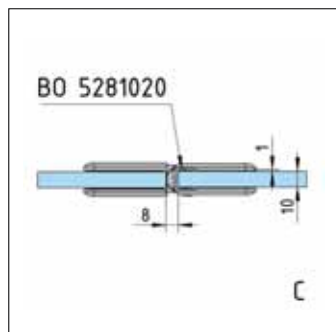
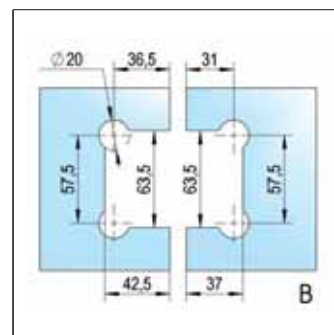
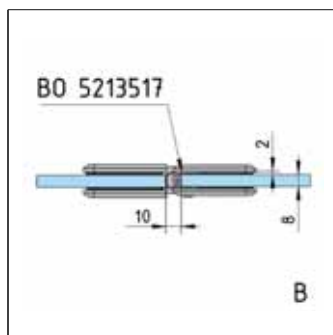
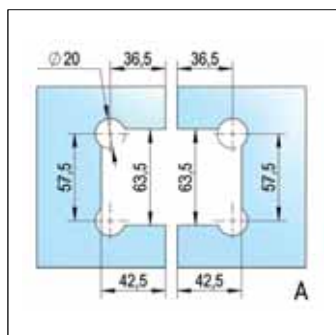
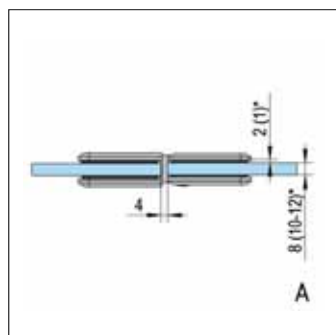
## YOUR BENEFITS

- Self-closing from approx. 15°
- Stepless zero position adjustment

ART NO.	COLOUR SCHEME
BO 5219118	Chrome-plated shiny
BO 5219119	Stainless steel colour brushed matt

## TECHNICAL DETAILS

- Door width: 1,000 mm
- Door height: 2,000 mm
- Max. door weight per pair: 40 kg
- Glass thickness ESG: 8 - 12 mm
- Material: Brass



## BARCELONA ANGLE CONNECTOR, GLASS-WALL 90°



Barcelona angle connector 90° glass-wall for connecting a fixed glass side panel to a wall. Only simple glass drill holes in the glass panes are required.

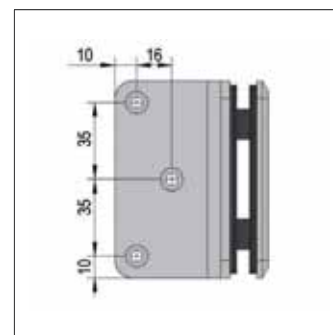
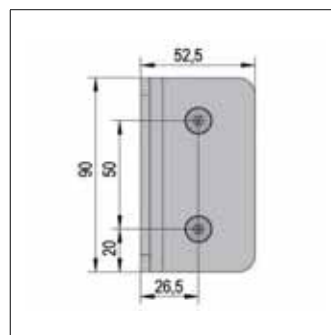
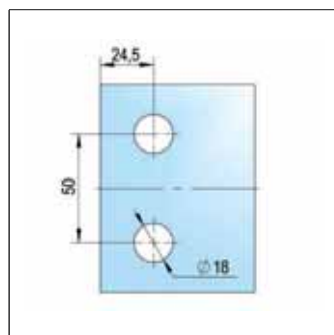
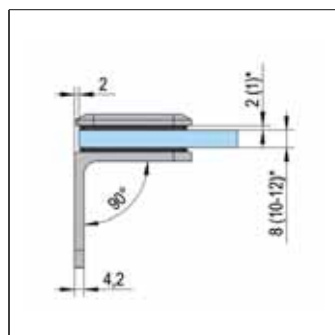
### YOUR BENEFITS

- Only glass drilling required
- Efficient assembly with just one tool

ART NO.	COLOUR SCHEME
BO 5219080	Chrome-plated shiny
BO 5219081	Stainless steel colour brushed matt

### TECHNICAL DETAILS

- Mounting type: Glass-Wall
- Glass thickness ESG: 8 - 12 mm
- Angle: 90°
- Concealed wall fixings: No
- Material: Brass





# BARCELONA ANGLE CONNECTOR , GLASS-GLASS 90°



Barcelona 90° glass-glass angle connector for connecting two fixed glass side panels. Radii and large bevelled edges create an unusual design.

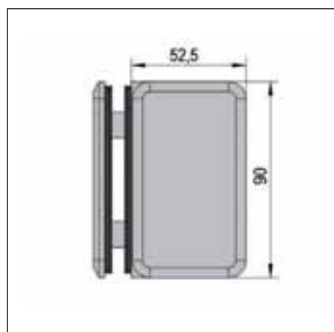
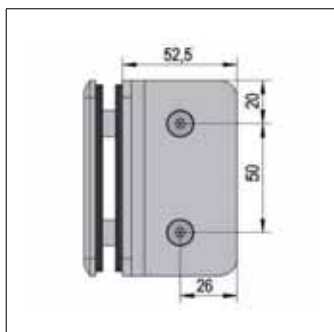
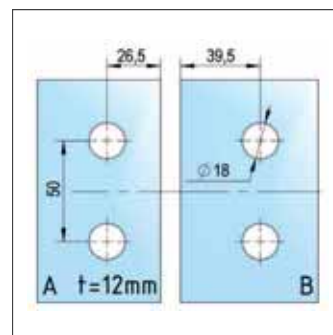
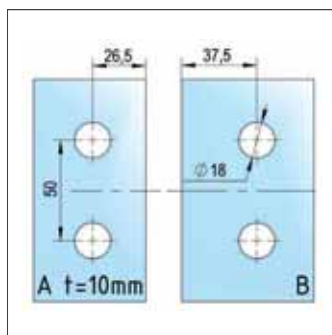
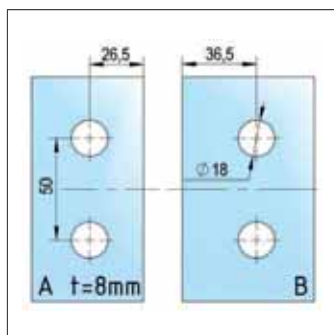
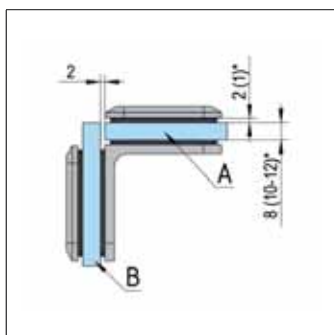
## YOUR BENEFITS

- Only glass drilling required
- Efficient assembly with just one tool

ART NO.	COLOUR SCHEME
BO 5219060	Chrome-plated shiny
BO 5219061	Stainless steel colour brushed matt

## TECHNICAL DETAILS

- Mounting type: Glass-Glass
- Glass thickness ESG: 8 - 12 mm
- Angle: 90°
- Material: Brass
- Flush: No



## BARCELONA SHOWER DOOR HINGE, GLASS-WALL 90°, ONE SIDE WALL MOUNTED

The Barcelona glass - wall 90° swing shower door hinge has a load capacity of 36 kg. Doors up to 0.9 x 2 m can be achieved. The hinges are ideal for right-angled corner showers and recess showers.



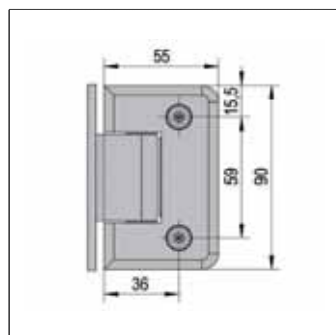
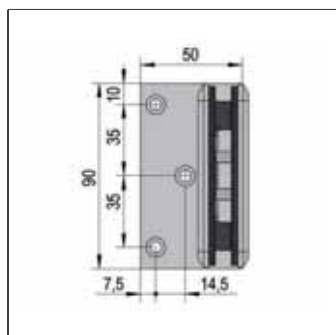
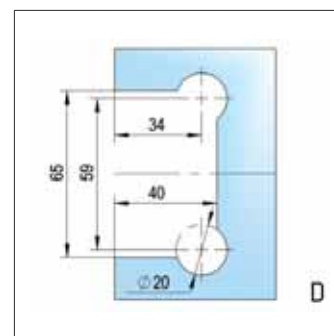
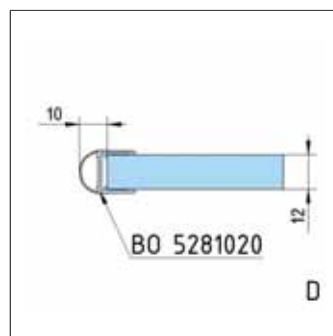
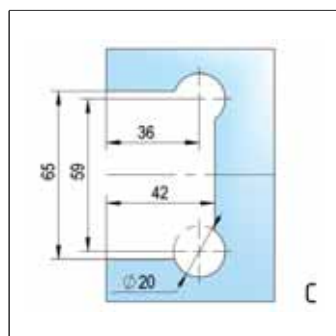
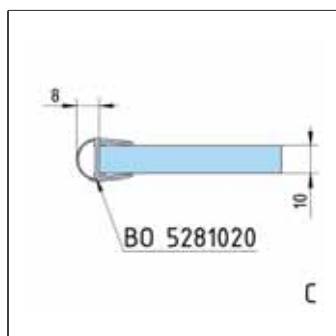
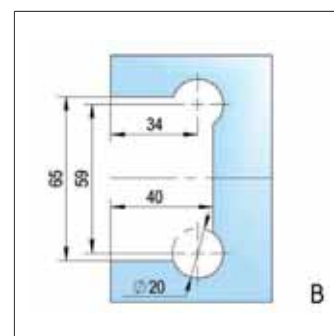
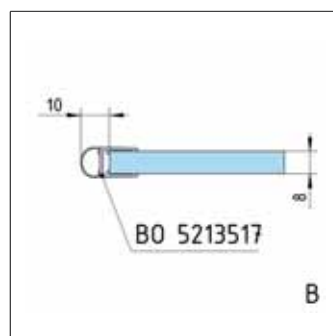
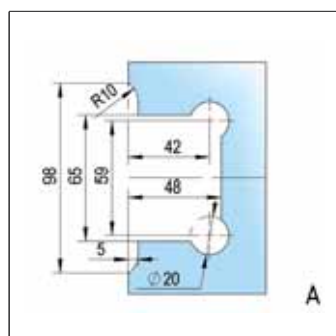
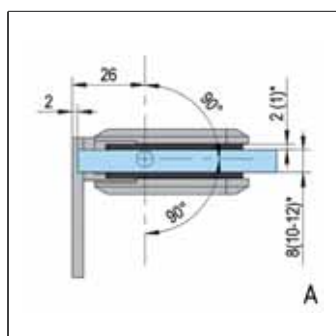
### YOUR BENEFITS

- Efficient assembly with only one tool
- Self-closing from approx. 15°
- Zero position with catch position

ART NO.	COLOUR SCHEME	WALL CONNECTION
BO 5218110	Chrome-plated shiny	One-sided
BO 5218111	Stainless steel colour brushed matt	One-sided

### TECHNICAL DETAILS

- Door width: 900 mm
- Door height: 2,000 mm
- Max. door weight per pair: 36 kg
- Glass thickness ESG: 8 - 12 mm
- Material: Brass



# BARCELONA SHOWER DOOR HINGE, GLASS-WALL 90°, BOTH SIDES WALL MOUNTED

The Barcelona glass - wall 90° swing shower door hinge has a load capacity of 36 kg. Doors up to 0.9 x 2 m can be achieved. The hinges are ideal for right-angled corner showers and recess showers.



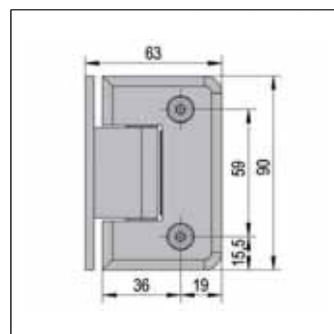
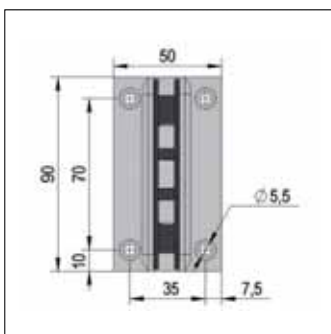
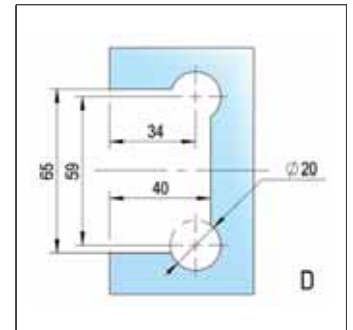
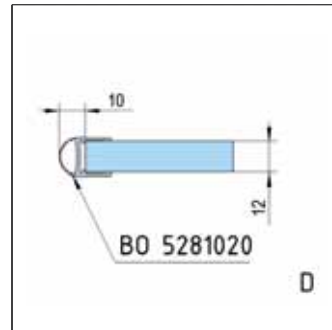
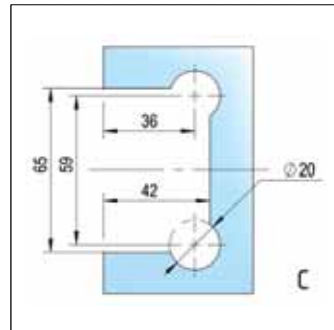
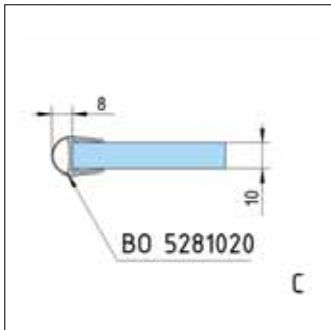
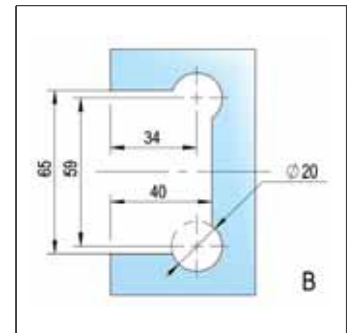
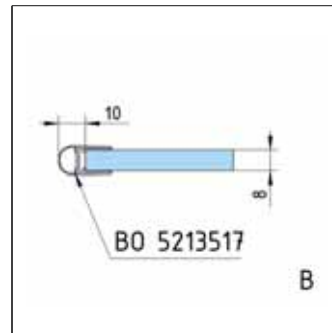
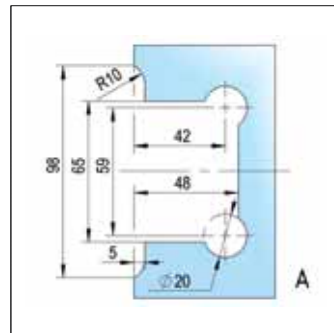
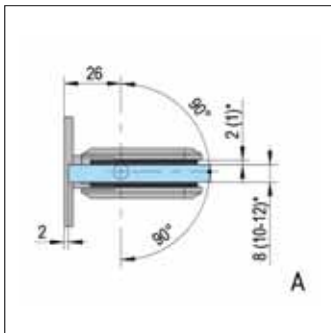
## YOUR BENEFITS

- Efficient assembly with only one tool
- Self-closing from approx. 15°
- Zero position with catch position

ART NO.	COLOUR SCHEME	WALL CONNECTION
BO 5219010	Chrome-plated shiny	On both sides
BO 5219011	Stainless steel colour brushed matt	On both sides

## TECHNICAL DETAILS

- Door width: 900 mm
- Door height: 2,000 mm
- Max. door weight per pair: 36 kg
- Glass thickness ESG: 8 - 12 mm
- Material: Brass



# BARCELONA SHOWER DOOR HINGE, GLASS-GLASS 180°

The Barcelona glass-glass 180° swing shower door hinge has a load capacity of 36 kg. Doors up to 0.9 x 2 m can be achieved. The hinge is suitable for aligning a glass door to a fixed glass side panel.

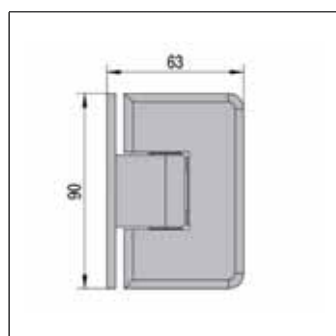
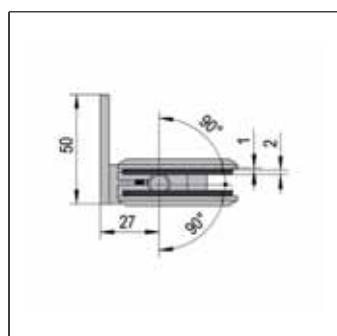
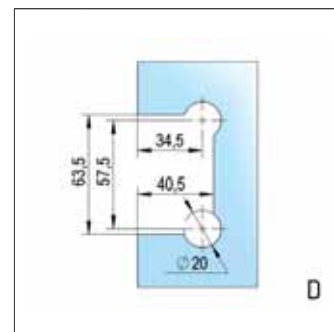
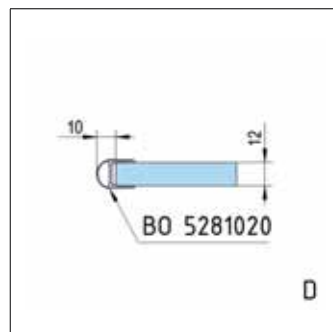
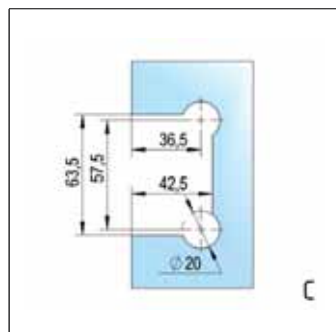
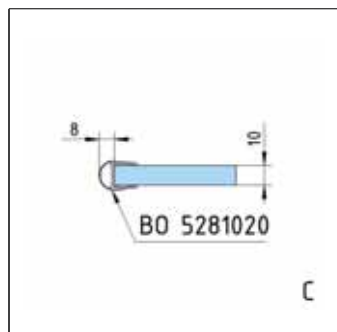
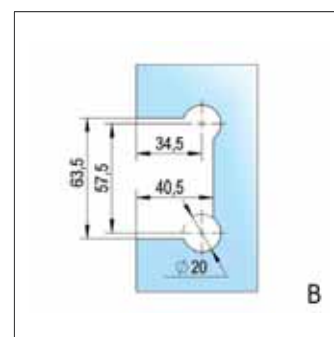
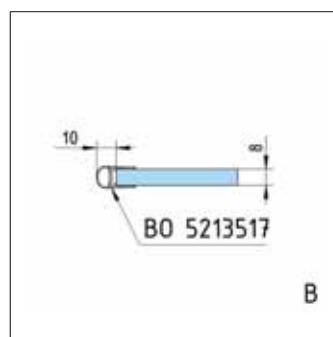
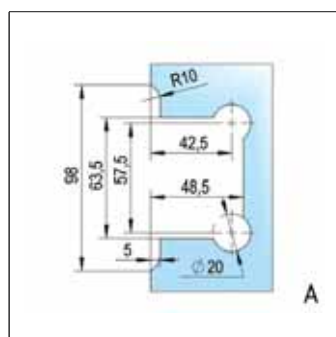
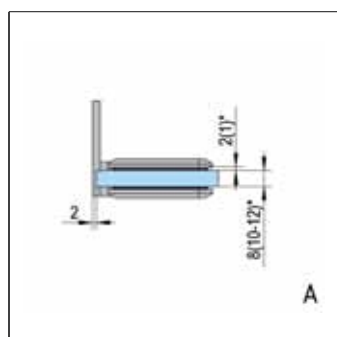
## YOUR BENEFITS

- Efficient assembly with only one tool
- Self-closing from approx. 15°
- Zero position with catch position

ART NO.	COLOUR SCHEME
BO 5219210	Chrome-plated shiny
BO 5219211	Stainless steel colour brushed matt

## TECHNICAL DETAILS

- Door width: 900 mm
- Door height: 2,000 mm
- Max. door weight per pair: 36 kg
- Glass thickness ESG: 8 - 12 mm
- Material: Brass



## BARCELONA ANGLE CONNECTOR, GLASS-WALL 90°



Barcelona angle connector 90° glass-wall for connecting a fixed glass side panel to a wall. Only simple glass drill holes in the glass panes are required.

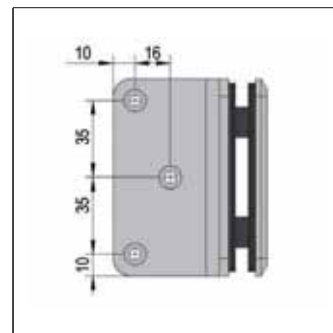
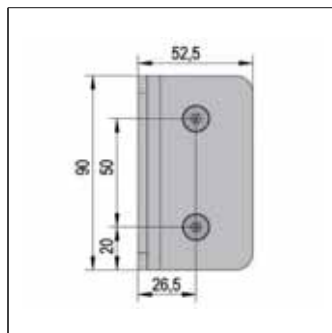
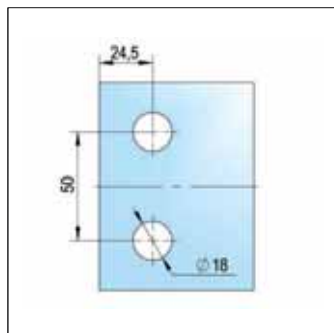
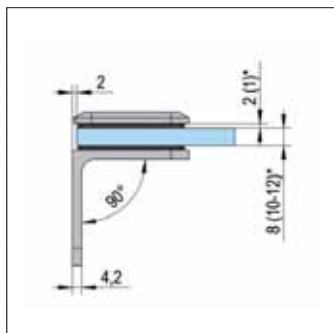
### YOUR BENEFITS

- Only glass drilling required
- Efficient assembly with just one tool

ART NO.	COLOUR SCHEME
BO 5219080	Chrome-plated shiny
BO 5219081	Stainless steel colour brushed matt

### TECHNICAL DETAILS

- Mounting type: Glass-Wall
- Glass thickness ESG: 8 - 12 mm
- Angle: 90°
- Concealed wall fixings: No
- Material: Brass



## BARCELONA ANGLE CONNECTOR , GLASS-GLASS 90°



Barcelona 90° glass-glass angle connector for connecting two fixed glass side panels. Radii and large bevelled edges create an unusual design.

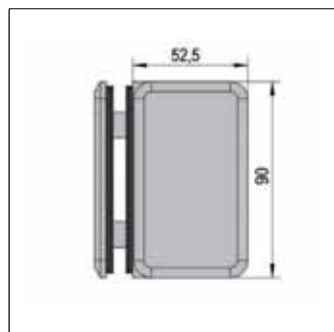
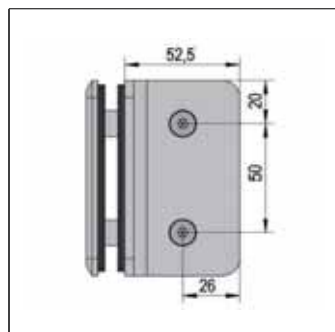
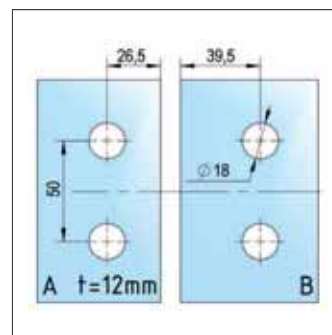
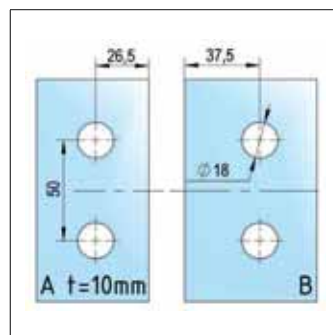
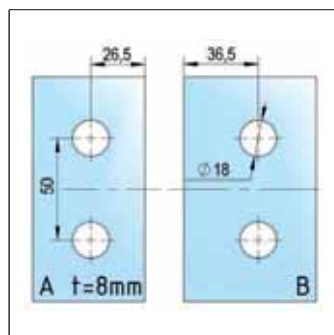
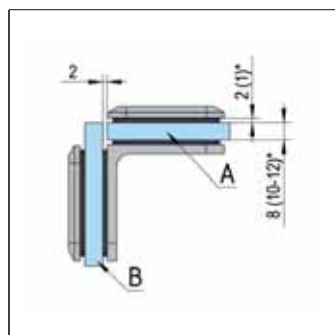
### YOUR BENEFITS

- Only glass drilling required
- Efficient assembly with just one tool

ART NO.	COLOUR SCHEME
BO 5219060	Chrome-plated shiny
BO 5219061	Stainless steel colour brushed matt

### TECHNICAL DETAILS

- Mounting type: Glass-Glass
- Glass thickness ESG: 8 - 12 mm
- Angle: 90°
- Material: Brass
- Flush: No



# Granada shower door fittings

Elegant and highly functional - the Granada shower door hinge sets discreet accents. Designed horizontally, the rounded corners are particularly flattering to the design.





## GRANADA SHOWER DOOR HINGE, GLASS-WALL 90°, ONE SIDE WALL MOUNTED

The Granada glass-wall 90° swing shower door hinge has a load-bearing capacity of 35 kg. Doors up to 0.9 x 2 m can be achieved. The 90° glass wall mounting allows a glass door to be mounted on a wall.

### YOUR BENEFITS

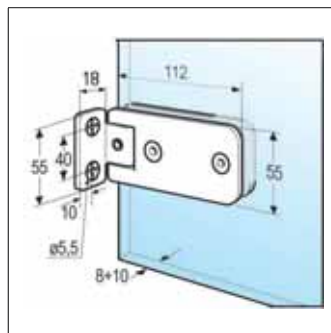
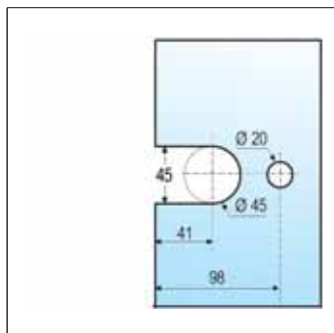
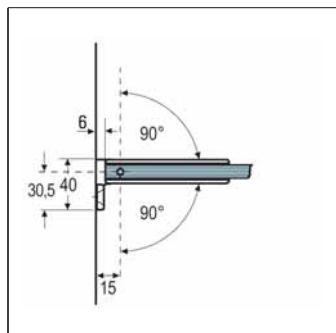
- Stepless zero position adjustment



ART NO.	COLOUR SCHEME	WALL CONNECTION
BO 5214058	Chrome-plated shiny	One-sided
BO 5214046	Stainless steel colour brushed matt	One-sided

### TECHNICAL DETAILS

- Door width: 900 mm
- Door height: 2,000 mm
- Max. door weight per pair: 35 kg
- Glass thickness ESG: 8 - 10 mm
- Material: Brass



## GRANADA SHOWER DOOR HINGE, GLASS-WALL 90°, BOTH SIDES WALL MOUNTED

The Granada glass-wall 90° swing shower door hinge has a load-bearing capacity of 35 kg. Doors up to 0.9 x 2 m can be achieved. The 90° glass wall mounting allows a glass door to be mounted on a wall.

### YOUR BENEFITS

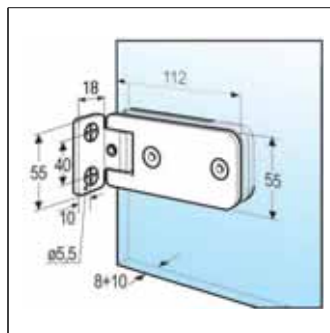
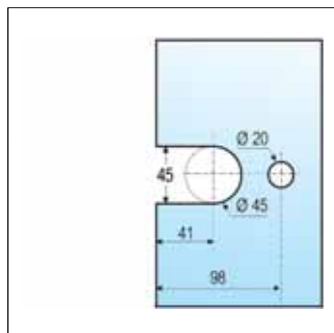
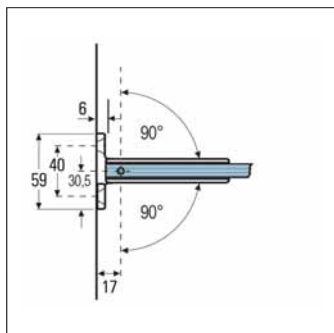
- Stepless zero position adjustment



ART NO.	COLOUR SCHEME	WALL CONNECTION
BO 5214050	Chrome-plated shiny	On both sides
BO 5214045	Stainless steel colour brushed matt	On both sides

### TECHNICAL DETAILS

- Door width: 900 mm
- Door height: 2,000 mm
- Max. door weight per pair: 35 kg
- Glass thickness ESG: 8 - 10 mm
- Material: Brass



## GRANADA SHOWER DOOR HINGE, GLASS-GLASS 90°

The Granada glass-glass 90° swing shower door hinge has a load-bearing capacity of 35 kg. Doors up to 0.9 x 2 m can be achieved. The hinge for 90° glass-glass installation is designed for attaching a door to a fixed glass side panel.



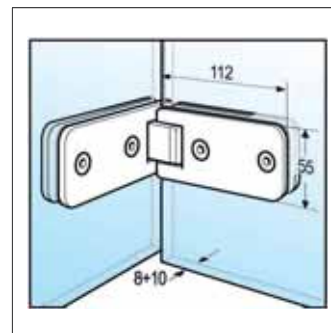
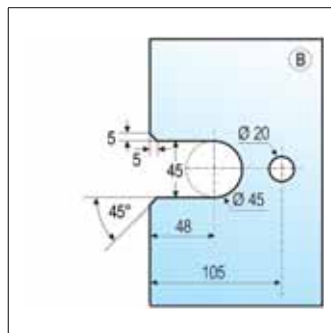
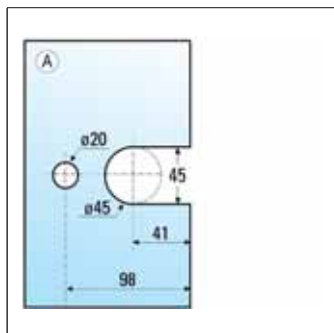
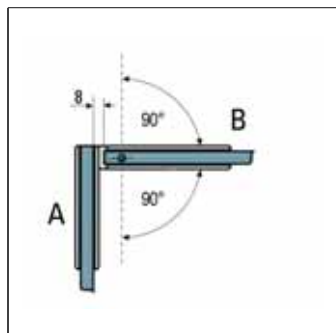
### YOUR BENEFITS

- Stepless zero position adjustment

ART NO.	COLOUR SCHEME
BO 5214056	Chrome-plated shiny

### TECHNICAL DETAILS

- Door width: 900 mm
- Door height: 2,000 mm
- Max. door weight per pair: 35 kg
- Glass thickness ESG: 8 - 10 mm
- Material: Brass



## GRANADA SHOWER DOOR HINGE, GLASS-GLASS 135°

The Granada glass-glass 135° swing shower door hinge has a load-bearing capacity of 35 kg. Doors up to 0.9 x 2 m can be achieved. The hinge for 135° glass-glass installation is designed for modern and space-saving pentagonal showers, for example.



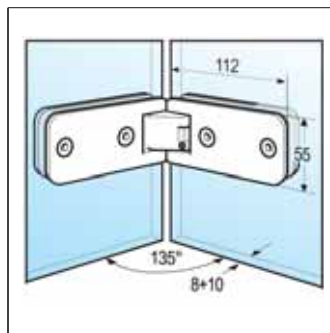
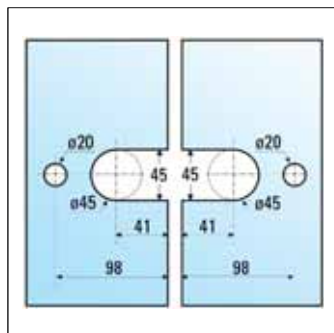
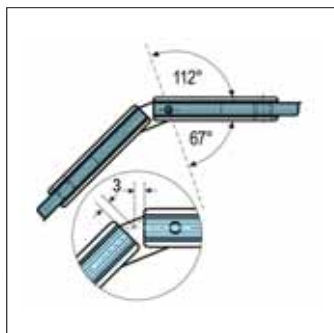
### YOUR BENEFITS

- Stepless zero position adjustment

ART NO.	COLOUR SCHEME
BO 5214054	Chrome-plated shiny

### TECHNICAL DETAILS

- Door width: 900 mm
- Door height: 2,000 mm
- Max. door weight per pair: 35 kg
- Glass thickness ESG: 8 - 10 mm
- Material: Brass



## GRANADA SHOWER DOOR HINGE, GLASS-GLASS 180°

The Granada glass-glass 180° swing shower door hinge has a load-bearing capacity of 35 kg. Doors up to 0.9 x 2 m can be achieved. The hinge for 180° glass-glass installation has been developed for modern, large glass showers.



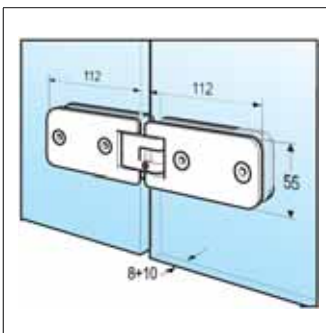
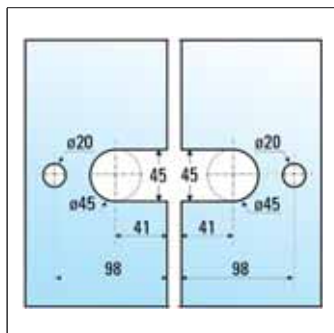
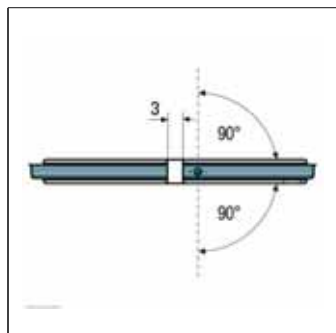
### YOUR BENEFITS

- Stepless zero position adjustment

ART NO.	COLOUR SCHEME
BO 5214052	Chrome-plated shiny
BO 5214047	Stainless steel colour brushed matt

### TECHNICAL DETAILS

- Door width: 900 mm
- Door height: 2,000 mm
- Max. door weight per pair: 35 kg
- Glass thickness ESG: 8 - 10 mm
- Material: Brass



## GRANADA ANGLE CONNECTOR, GLASS-WALL 90°

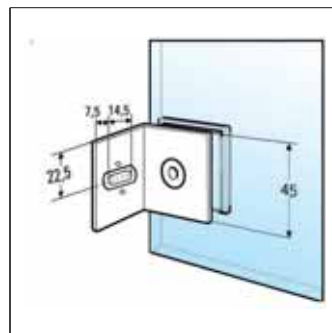
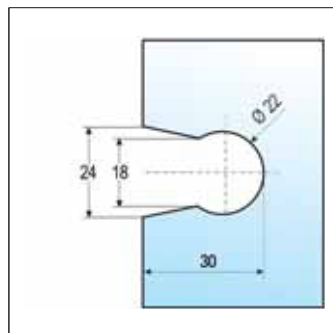
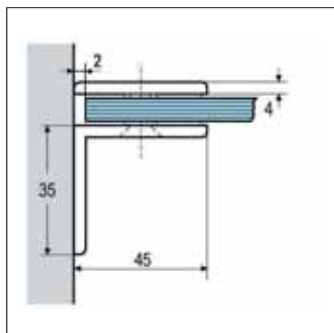
Granada angle connector 90° glass-wall for connecting a fixed glass side panel to a wall.



ART NO.	COLOUR SCHEME
B0 5213116	Chrome-plated shiny
B0 5213115	Stainless steel colour brushed matt

### TECHNICAL DETAILS

- Mounting type: Glass-Wall
- Glass thickness ESG: 8 - 10 mm
- Angle: 90°
- Concealed wall fixings: No
- Material: Brass



## GRANADA ANGLE CONNECTOR, GLASS-GLASS 90°

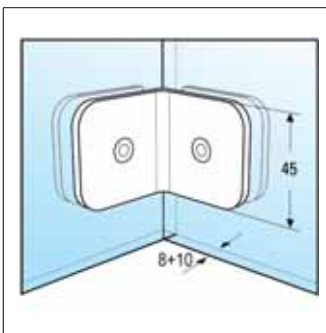
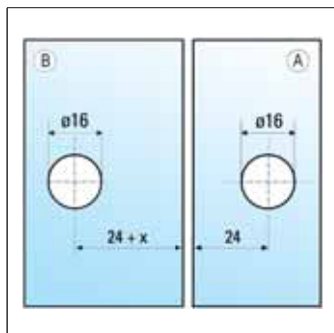
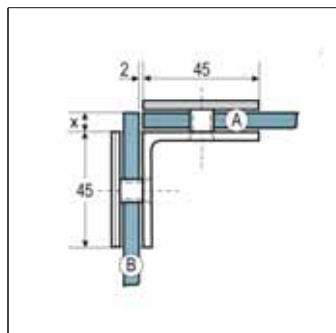
Granada 90° glass-glass angle connector for connecting two fixed glass side panels.



ART NO.	COLOUR SCHEME
BO 5213622	Chrome-plated shiny

### TECHNICAL DETAILS

- Mounting type: Glass-Glass
- Glass thickness ESG: 8 - 10 mm
- Angle: 90°
- Material: Brass
- Rise/fall function: No





## GRANADA CONNECTOR, GLASS-WALL 90°

Granada connector/clamping bracket 90° glass-wall for connecting a fixed glass side panel to a wall.



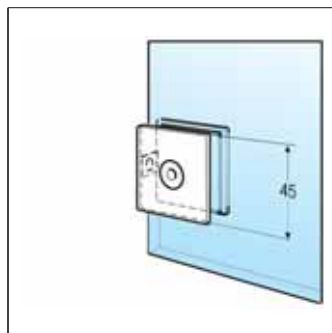
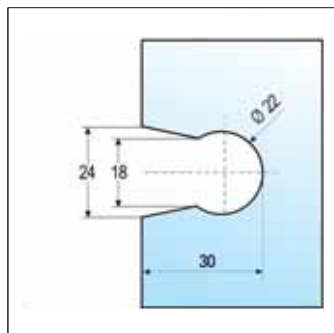
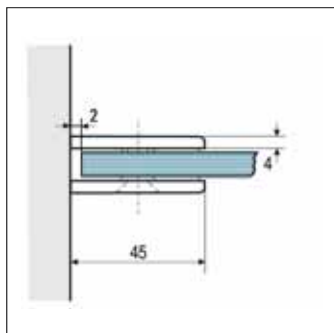
### YOUR BENEFITS

- Concealed wall mounting
- No obtrusive fastening tab on the side

ART NO.	COLOUR SCHEME
BO 5213606	Chrome-plated shiny
BO 5213605	Stainless steel colour brushed matt

### TECHNICAL DETAILS

- Mounting type: Glass-Wall
- Glass thickness ESG: 8 - 10 mm
- Angle: 90°
- Concealed wall fixings: Yes
- Material: Brass



---

# Art shower door fittings

---

The swing shower door hinge has a self-closing function up to an opening angle of approx.  $\pm 15^\circ$ . Outside this range, the hinge remains in any position. Art can be used for DIN left and right doors.



# ART SHOWER DOOR HINGE, GLASS-WALL 90°, ONE SIDE WALL MOUNTED



The Art glass-wall 90° swing shower door hinge has a load-bearing capacity of 35 kg. Doors up to max. 0.75 x 2 m can be achieved. The hinge enables a glass door to be mounted on a wall, for example for classic recess showers or 90° corner showers.

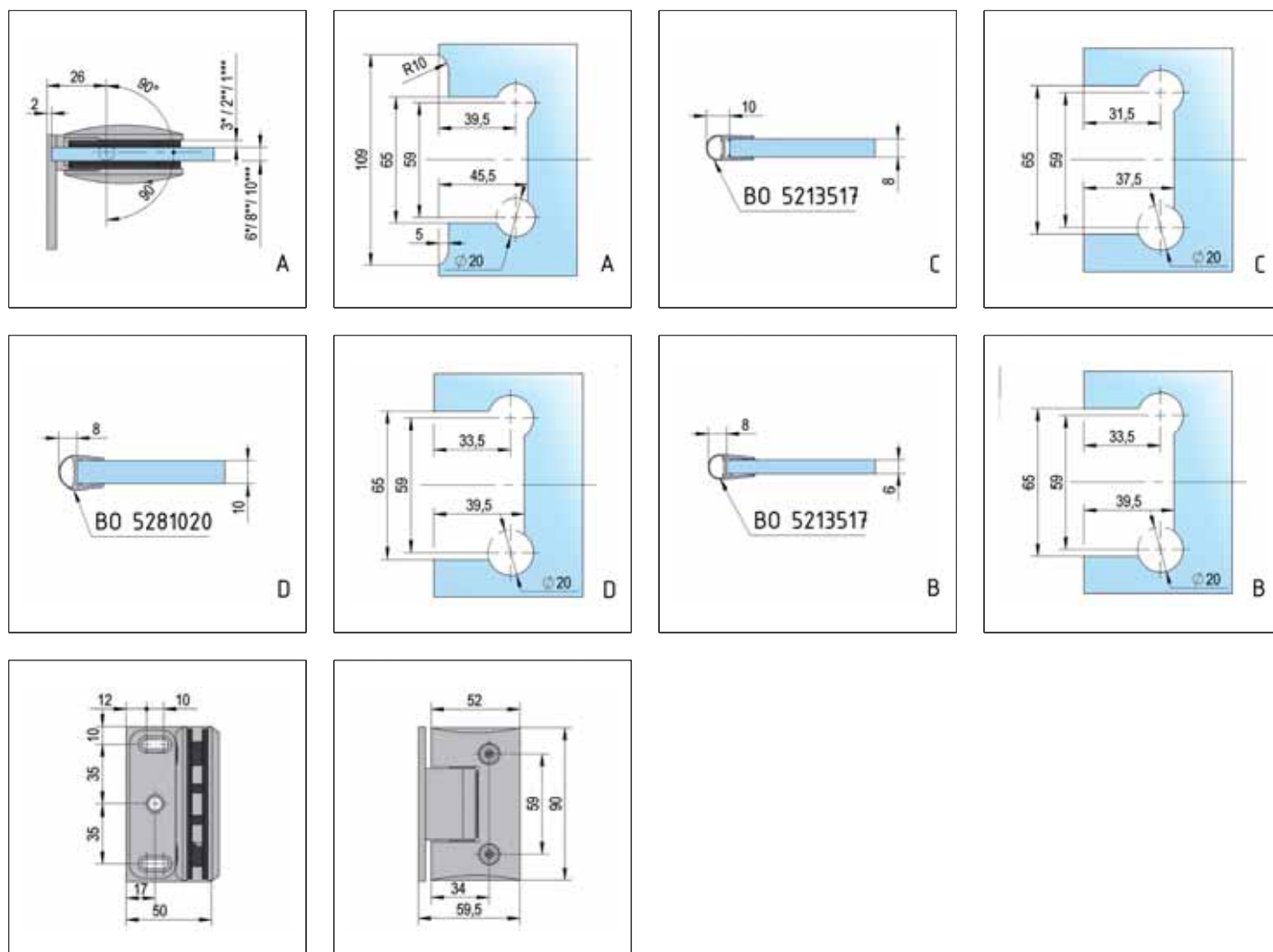
## YOUR BENEFITS

- Efficient installation with only one tool
- Zero position with catch position

ART NO.	COLOUR SCHEME	WALL CONNECTION
BK 8041031	Chrome-plated shiny	One-sided

## TECHNICAL DETAILS

- Door width: 750 mm
- Door height: 2,000 mm
- Max. door weight per pair: 35 kg
- Glass thickness ESG: 6 - 10 mm
- Material: Brass



# ART SHOWER DOOR HINGE, GLASS-WALL 90°, BOTH SIDES WALL MOUNTED

The Art glass-wall 90° swing shower door hinge has a load-bearing capacity of 35 kg. Doors up to max. 0.75 x 2 m can be achieved. The hinge enables a glass door to be mounted on a wall, for example for classic recess showers or 90° corner showers.

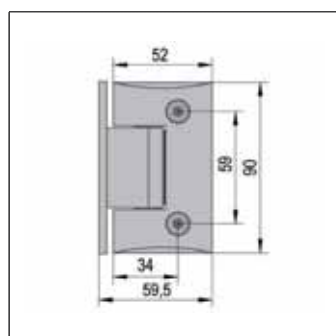
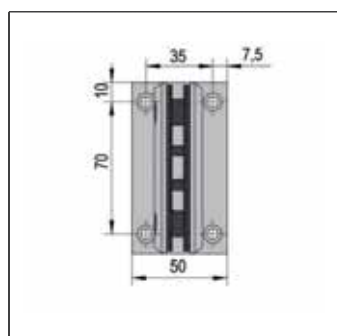
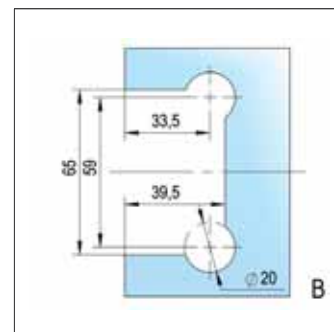
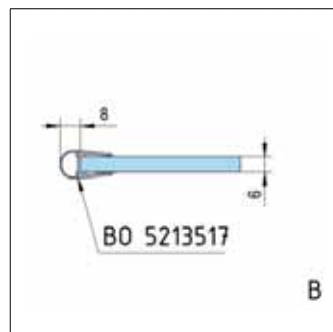
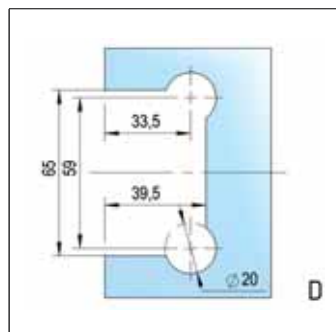
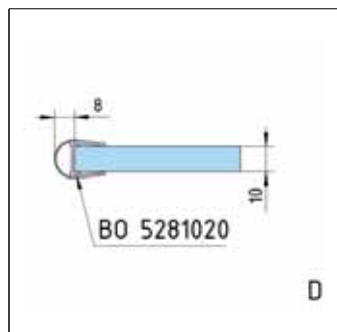
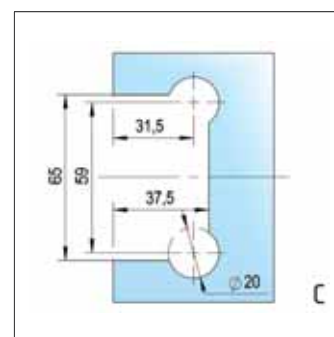
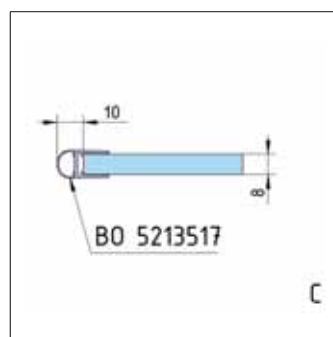
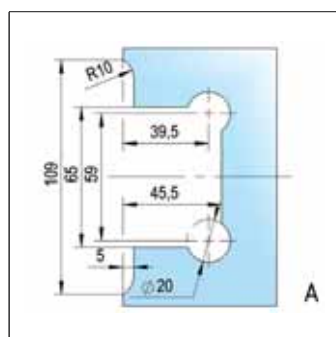
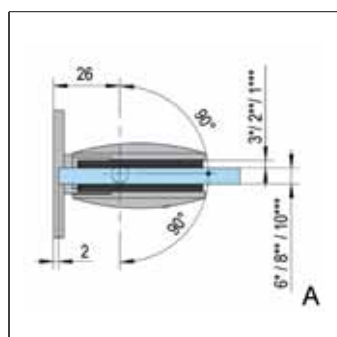
## YOUR BENEFITS

- Efficient installation with only one tool
- Zero position with catch position

ART NO.	COLOUR SCHEME	WALL CONNECTION
BK 8042031	Chrome-plated shiny	On both sides

## TECHNICAL DETAILS

- Door width: 750 mm
- Door height: 2,000 mm
- Max. door weight per pair: 35 kg
- Glass thickness ESG: 6 - 10 mm
- Material: Brass



# ART SHOWER DOOR HINGE, GLASS-GLASS 180°

The Art glass-glass 180° swing shower door hinge has a load-bearing capacity of 35 kg. Doors up to max. 0.75 x 2 m can be achieved. The hinge for 180° glass-glass installation is suitable for aligning a glass door with a fixed glass side panel.

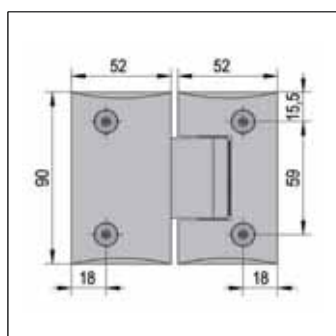
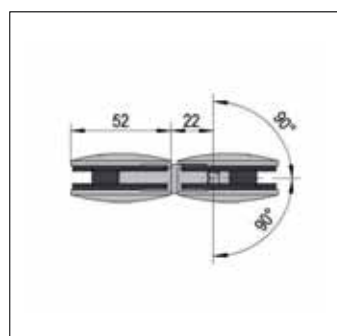
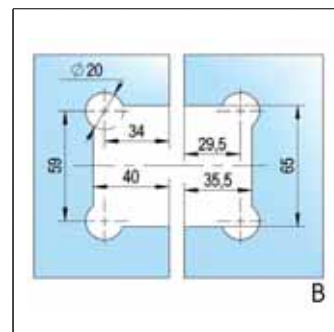
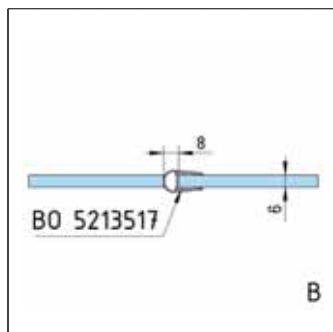
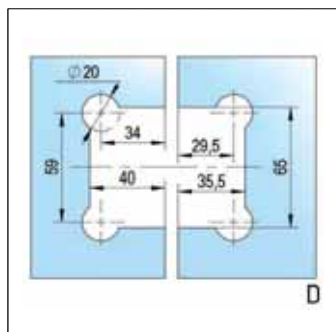
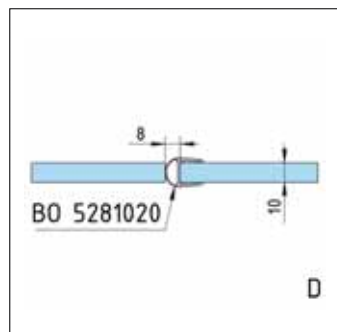
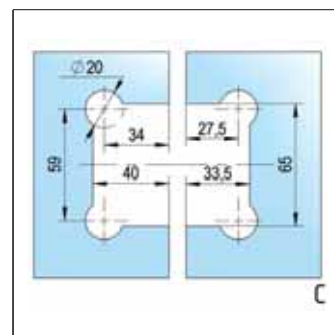
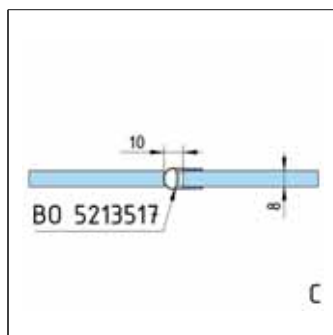
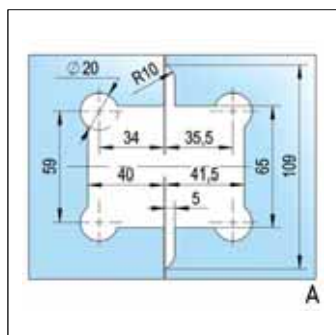
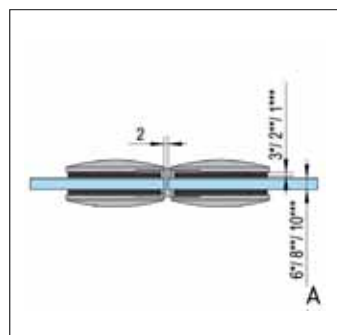
## YOUR BENEFITS

- Efficient assembly with only one tool
- Zero position with catch position

ART NO.	COLOUR SCHEME
BK 8043031	Chrome-plated shiny

## TECHNICAL DETAILS

- Door width: 750 mm
- Door height: 2,000 mm
- Max. door weight per pair: 35 kg
- Glass thickness ESG: 6 - 10 mm
- Material: Brass



# ART ANGLE CONNECTOR, GLASS-WALL 90°

Art angle connector 90° glass-wall for connecting a fixed glass side panel to a wall.

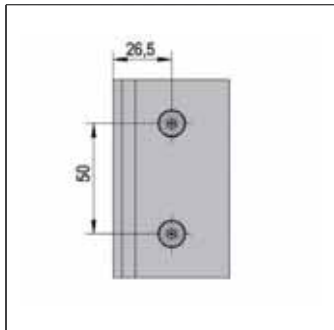
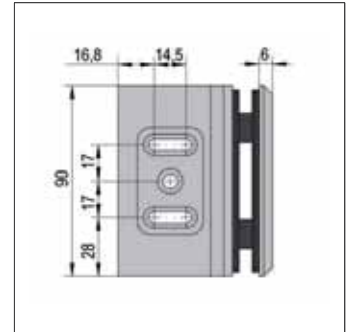
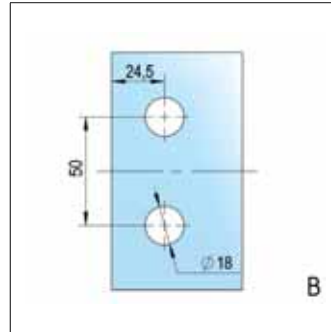
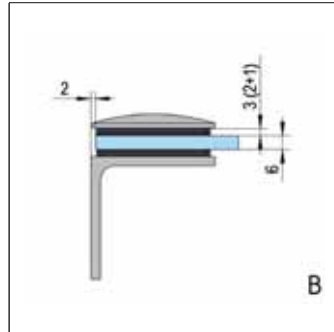
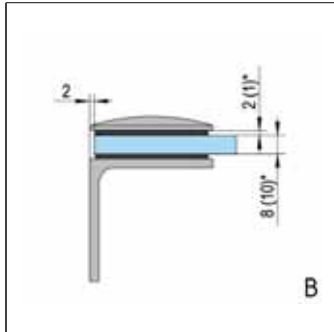
## YOUR BENEFITS

- Only glass drilling required
- Concealed wall mounting

ART NO.	COLOUR SCHEME
BK 8048131	Chrome-plated shiny

## TECHNICAL DETAILS

- Mounting type: Glass-Wall
- Glass thickness ESG: 6 - 10 mm
- Angle: 90°
- Concealed wall fixings: Yes
- Material: Brass



# ART ANGLE CONNECTOR, GLASS-GLASS 90°



Art angle connector 90° glass-glass for connecting two glass side panels at right angles to each other. Only drill holes in the glass panes are required.

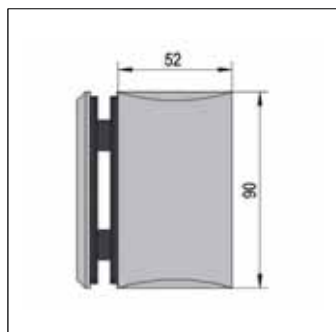
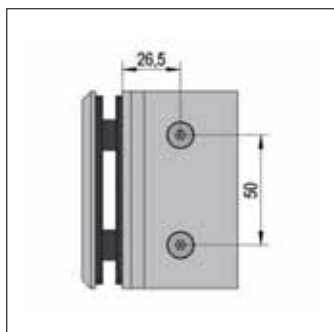
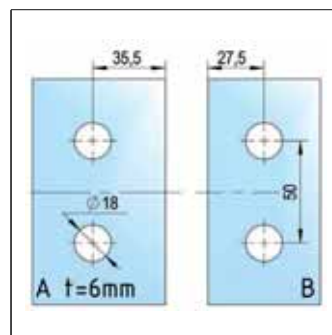
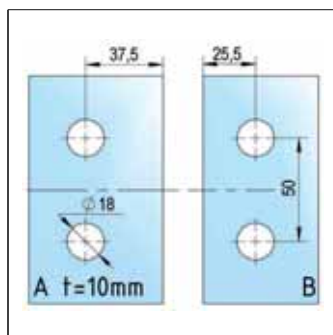
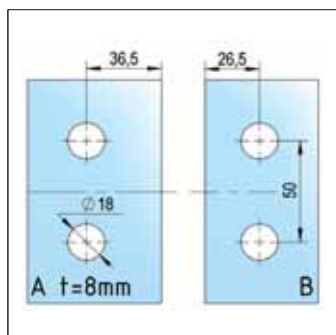
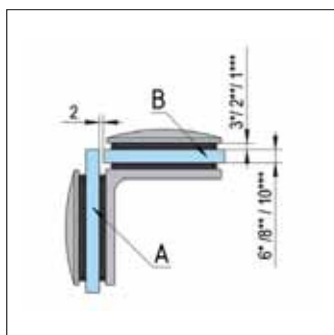
## YOUR BENEFITS

- Only glass drilling required
- Efficient assembly with only one tool

ART NO.	COLOUR SCHEME
BK 8048331	Chrome-plated shiny

## TECHNICAL DETAILS

- Mounting type: Glass-Glass
- Glass thickness ESG: 6 - 10 mm
- Angle: 90°
- Material: Brass
- Flush: No



Art



---

# Plan Artist FM\* shower door fittings

---

The Plan Artist FM series is characterised by its linear, angular design. The shower door hinges are flush-mounted on the inside and have a raise/lower mechanism. The perfect solution for accessibility or sophisticated showering pleasure in a small space.

\*FM = flush-mounted



## PLAN ARTIST FM SHOWER DOOR HINGE, GLASS-WALL 90°, DIN LEFT



The Plan Artist FM flush-mounted swing shower door hinge has a load-bearing capacity of 38 kg. Doors up to max. 0.9 x 2.10 m can be achieved. The hinge is designed for attaching a door to a fixed glass side panel. Only simple glass drill holes are required in the side panel. A deduction of 16 mm has been taken into account in the glass cut-out to ensure a flush finish with the fitting. To insert the seal BO 5213494, the glass cut-out must be adapted.

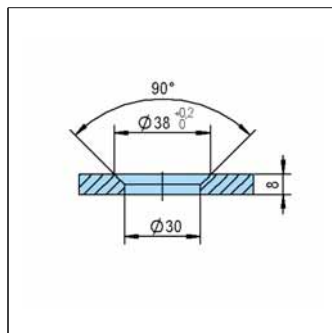
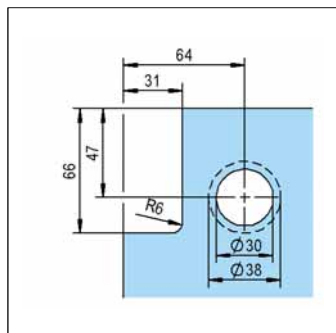
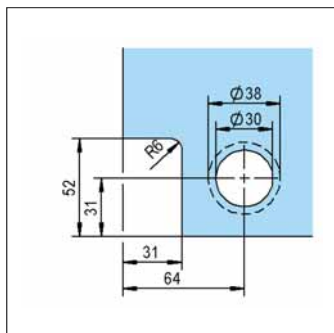
### YOUR BENEFITS

- Concealed screws
- Zero position with catch position
- Lifting-lowering technology with 5 mm lifting height

ART NO.	COLOUR SCHEME	OPENING DIRECTION
BO 5215650	Chrome-plated shiny	Left

### TECHNICAL DETAILS

- Door width: 900 mm
- Door height: 2,100 mm
- Max. door weight per pair: 38 kg
- Glass thickness ESG: 8 mm
- Material: Brass



### INCLUDED IN DELIVERY

1 Pair

## PLAN ARTIST FM SHOWER DOOR HINGE, GLASS-WALL 90°, DIN RIGHT



The Plan Artist FM flush-mounted swing shower door hinge has a load-bearing capacity of 38 kg. Doors up to max. 0.9 x 2.10 m can be achieved. The hinge is designed for attaching a door to a fixed glass side panel. Only simple glass drill holes are required in the side panel. A deduction of 16 mm has been taken into account in the glass cut-out to ensure a flush finish with the fitting. To insert the seal BO 5213494, the glass cut-out must be adapted.

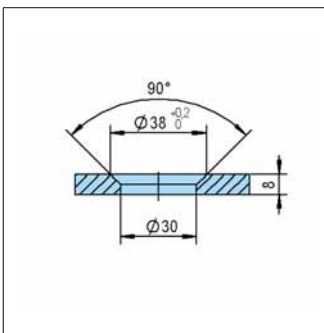
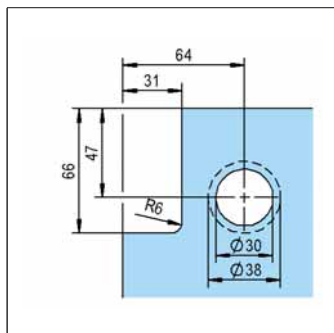
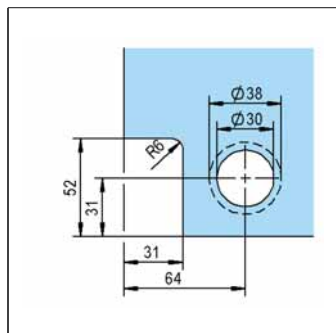
### YOUR BENEFITS

- Concealed screws
- Zero position with catch position
- Lifting-lowering technology with 5 mm lifting height

ART NO.	COLOUR SCHEME	OPENING DIRECTION
BO 5215651	Chrome-plated shiny	Right

### TECHNICAL DETAILS

- Door width: 900 mm
- Door height: 2,100 mm
- Max. door weight per pair: 38 kg
- Glass thickness ESG: 8 mm
- Material: Brass



### INCLUDED IN DELIVERY

1 Pair

## PLAN ARTIST FM SHOWER DOOR HINGE, GLASS-GLASS 90°, DIN LEFT



The Plan Artist FM flush-mounted swing shower door hinge has a load-bearing capacity of 38 kg. Doors up to max. 0.9 x 2.10 m can be achieved. The hinge is designed for attaching a door to a fixed glass side panel. Only simple glass drill holes are required in the side panel. For a flush finish with the fitting, a deduction of 16 mm is taken into account in the glass cut-out. To insert the seal BO 5213494, the glass cut-out must be adapted.

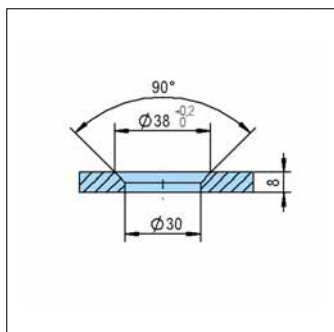
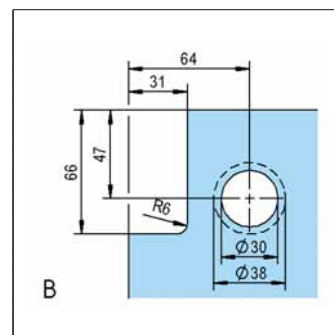
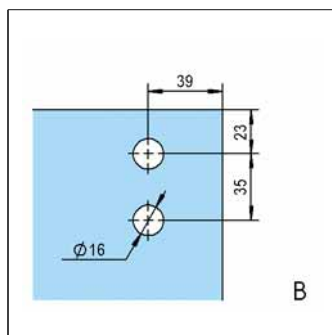
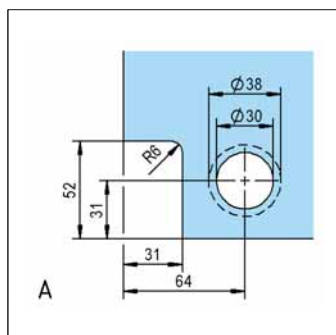
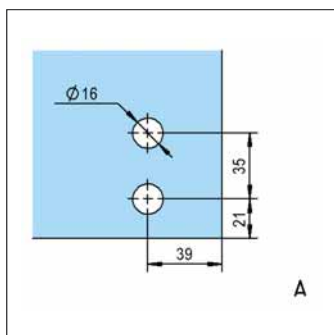
### YOUR BENEFITS

- Concealed screws
- Zero position with hold position
- Lifting-lowering technology with 5 mm lifting height

ART NO.	COLOUR SCHEME	OPENING DIRECTION
BO 5215656	Chrome-plated shiny	Left

### TECHNICAL DETAILS

- Door width: 900 mm
- Door height: 2,100 mm
- Max. door weight per pair: 38 kg
- Glass thickness ESG: 8 mm
- Material: Brass



### INCLUDED IN DELIVERY

1 Pair

## PLAN ARTIST FM SHOWER DOOR HINGE, GLASS-GLASS 90°, DIN RIGHT



The Plan Artist FM flush-mounted swing shower door hinge has a load-bearing capacity of 38 kg. Doors up to max. 0.9 x 2.10 m can be achieved. The hinge is designed for attaching a door to a fixed glass side panel. Only simple glass drill holes are required in the side panel. For a flush finish with the fitting, a deduction of 16 mm is taken into account in the glass cut-out. To insert the seal BO 5213494, the glass cut-out must be adapted.

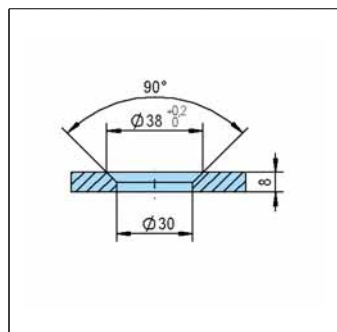
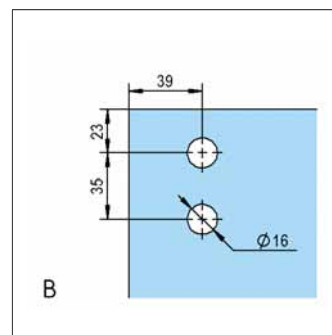
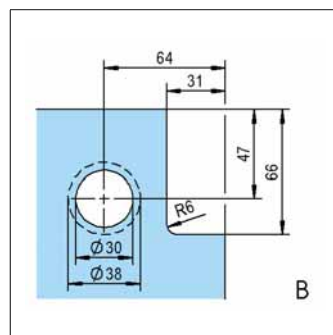
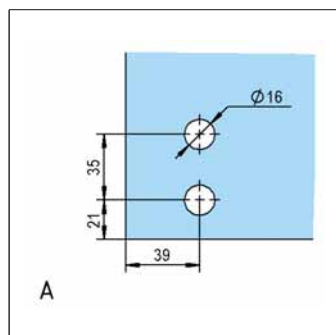
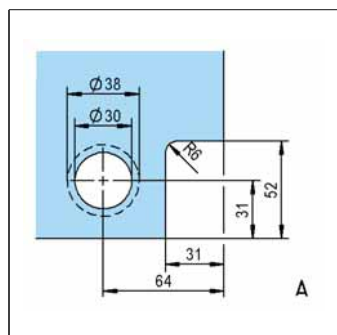
### YOUR BENEFITS

- Concealed screws
- Zero position with hold position
- Lifting-lowering technology with 5 mm lifting height

ART NO.	COLOUR SCHEME	OPENING DIRECTION
BO 5215657	Chrome-plated shiny	Right

### TECHNICAL DETAILS

- Door width: 900 mm
- Door height: 2,100 mm
- Max. door weight per pair: 38 kg
- Glass thickness ESG: 8 mm
- Material: Brass



### INCLUDED IN DELIVERY

1 Pair

## PLAN ARTIST FM SHOWER DOOR HINGE, GLASS-GLASS 135°, DIN LEFT



The Plan Artist FM flush-mounted swing shower door hinge has a load-bearing capacity of 38 kg. Doors up to max. 0.9 x 2.10 m can be achieved. The hinge is designed for modern and space-saving pentagonal showers, for example. Only simple glass holes are required in the side panel. To ensure a flush finish with the fitting, the glass cut-out has a 16 mm clearance dimension. The glass cut-out must be adapted in order to insert the gasket BO 5213494.

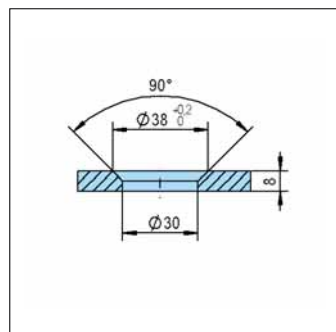
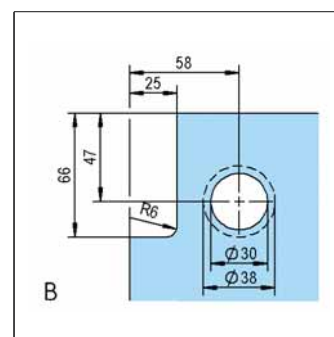
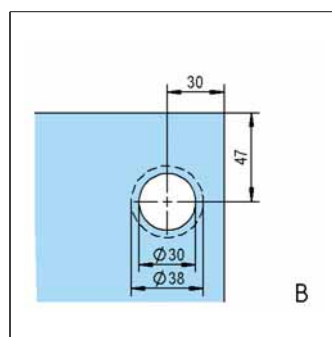
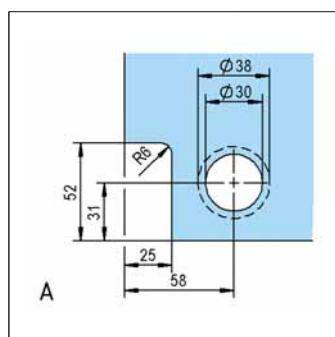
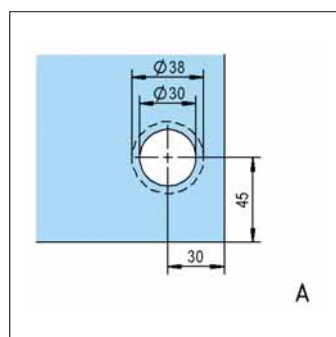
### YOUR BENEFITS

- Concealed screws
- Zero position with hold position
- Lifting-lowering technology with 5 mm lifting height

ART NO.	COLOUR SCHEME	OPENING DIRECTION
BO 5215654	Chrome-plated shiny	Left

### TECHNICAL DETAILS

- Door width: 900 mm
- Door height: 2,100 mm
- Max. door weight per pair: 38 kg
- Glass thickness ESG: 8 mm
- Material: Brass



### INCLUDED IN DELIVERY

1 Pair

## PLAN ARTIST FM SHOWER DOOR HINGE, GLASS-GLASS 135°, DIN RIGHT



The Plan Artist FM flush-mounted swing shower door hinge has a load-bearing capacity of 38 kg. Doors up to max. 0.9 x 2.10 m can be achieved. The hinge is designed for modern and space-saving pentagonal showers, for example. Only simple glass holes are required in the side panel. To ensure a flush finish with the fitting, the glass cut-out has a 16 mm clearance dimension. The glass cut-out must be adapted in order to insert the gasket BO 5213494.

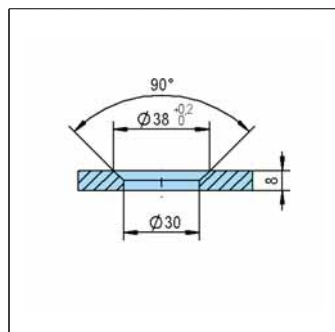
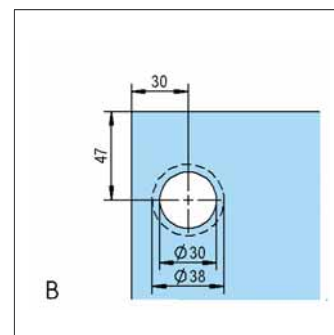
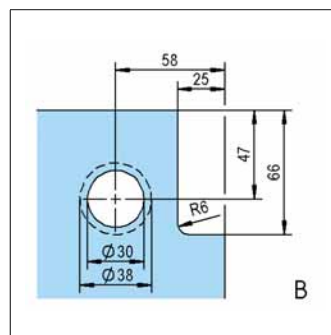
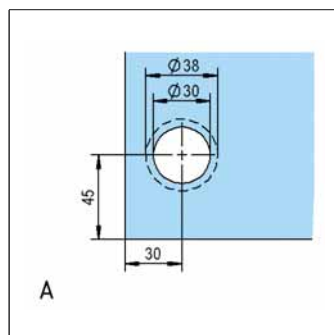
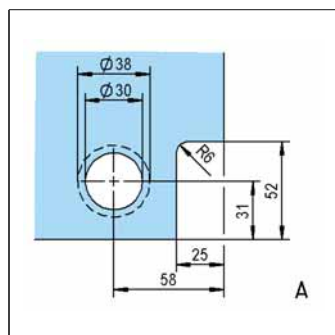
### YOUR BENEFITS

- Concealed screws
- Zero position with hold position
- Lifting-lowering technology with 5 mm lifting height

ART NO.	COLOUR SCHEME	OPENING DIRECTION
BO 5215655	Chrome-plated shiny	Right

### TECHNICAL DETAILS

- Door width: 900 mm
- Door height: 2,100 mm
- Max. door weight per pair: 38 kg
- Glass thickness ESG: 8 mm
- Material: Brass



### INCLUDED IN DELIVERY

1 Pair



# PLAN ARTIST FM SHOWER DOOR HINGE, GLASS-GLASS 180°, DIN LEFT



The Plan Artist FM swing shower door hinge has a load capacity of 38 kg. Doors up to max. 0.9 x 2.10 m can be achieved. The hinge for 180° glass-to-glass installation has been developed for modern, large glass shower rooms. Only simple glass holes are required in the side panel. For a flush finish with the fitting a 16 mm deduction is included in the glass cut-out. To insert the seal BO 5213494, the glass cut-out must be adapted.

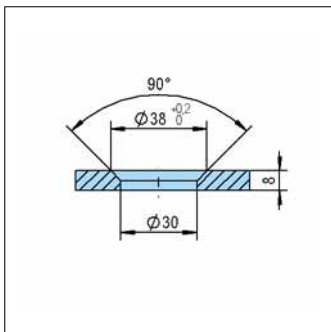
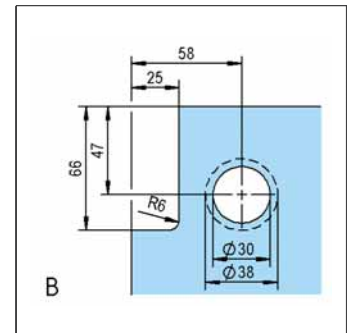
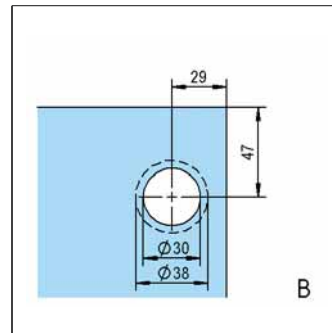
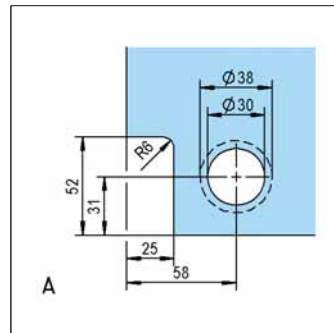
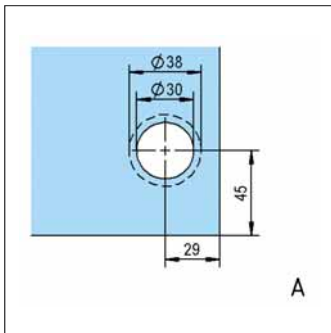
## YOUR BENEFITS

- Concealed screws
- Zero position with hold position
- Lifting-lowering technology with 5 mm lifting height

ART NO.	COLOUR SCHEME	OPENING DIRECTION
BO 5215652	Chrome-plated shiny	Left

## TECHNICAL DETAILS

- Door width: 900 mm
- Door height: 2,100 mm
- Max. door weight per pair: 38 kg
- Glass thickness ESG: 8 mm
- Material: Brass



## INCLUDED IN DELIVERY

1 Pair

# PLAN ARTIST FM SHOWER DOOR HINGE, GLASS-GLASS 180°, DIN RIGHT



The Plan Artist FM swing shower door hinge has a load capacity of 38 kg. Doors up to max. 0.9 x 2.10 m can be achieved. The hinge for 180° glass-to-glass installation has been developed for modern, large glass shower rooms. Only simple glass holes are required in the side panel. For a flush finish with the fitting a 16 mm deduction is included in the glass cut-out. To insert the seal BO 5213494, the glass cut-out must be adapted.

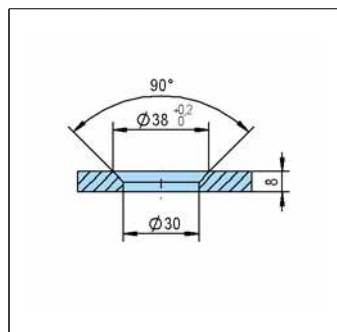
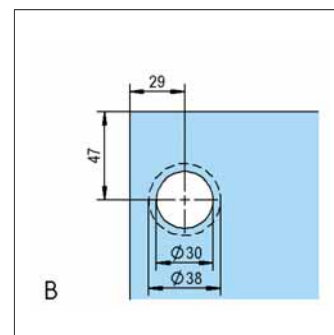
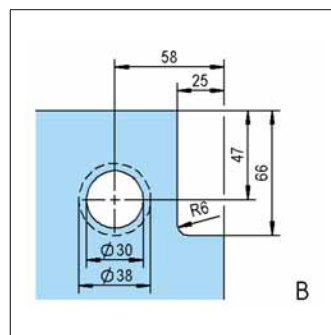
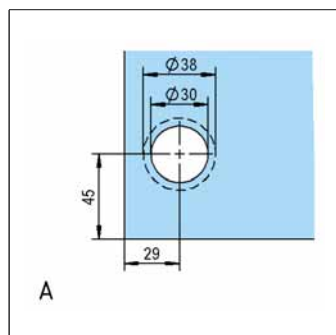
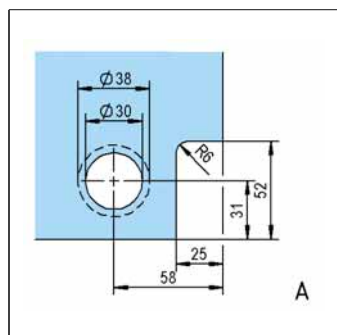
## YOUR BENEFITS

- Concealed screws
- Zero position with hold position
- Lifting-lowering technology with 5 mm lifting height

ART NO.	COLOUR SCHEME	OPENING DIRECTION
BO 5215653	Chrome-plated shiny	Right

## TECHNICAL DETAILS

- Door width: 900 mm
- Door height: 2,100 mm
- Max. door weight per pair: 38 kg
- Glass thickness ESG: 8 mm
- Material: Brass



## INCLUDED IN DELIVERY

1 Pair

# PLAN ARTIST FM ANGLE CONNECTOR, GLASS-WALL 90°

Plan Artist FM 90° glass-wall angle connector for connecting a fixed glass side panel to a wall.



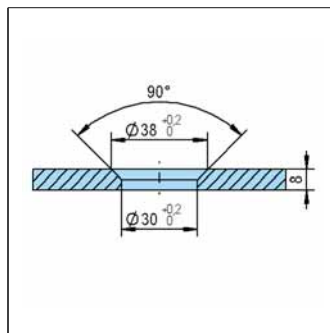
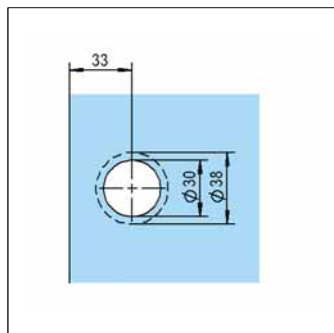
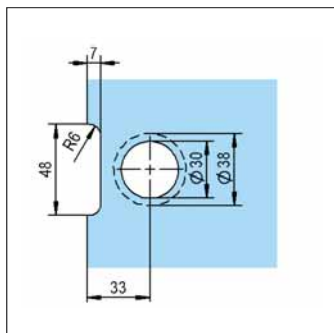
## YOUR BENEFITS

- Concealed screws
- Only glass countersunk drill holes required
- Flush mounting

ART NO.	COLOUR SCHEME	WALL CONNECTION
BO 5215658	Chrome-plated shiny	Inwards
BO 5215659	Chrome-plated shiny	Outwards

## TECHNICAL DETAILS

- Glass thickness ESG: 8 mm
- Angle: 90°
- Concealed wall fixings: Yes
- Material: Brass
- Flush: Yes



## INCLUDED IN DELIVERY

1 Pair

## PLAN ARTIST FM ANGLE CONNECTOR, GLASS-GLASS 90°

Plan Artist FM 90° glass-glass angle connector for connecting two glass side panels at right angles to each other. All that is required here is to drill holes in the glass panes.



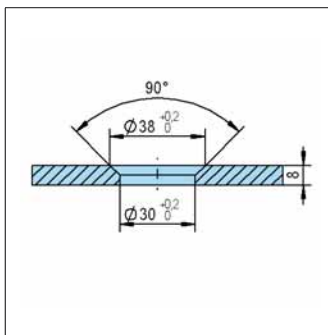
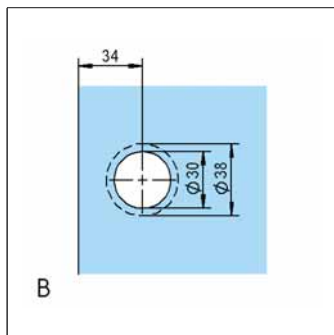
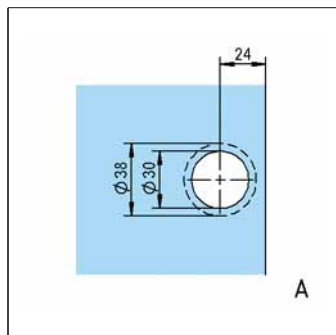
### YOUR BENEFITS

- Concealed screws
- Only glass countersunk holes required
- Flush mounting

ART NO.	COLOUR SCHEME
BO 5215660	Chrome-plated shiny

### TECHNICAL DETAILS

- Glass thickness ESG: 8 mm
- Angle: 90°
- Material: Brass
- Flush: Yes
- Mounting type: Glass-Glass



### INCLUDED IN DELIVERY

1 Pair

## PLAN ARTIST FM ANGLE CONNECTOR, GLASS-GLASS 135°

Plan Artist FM 135° glass-glass angle connector for connecting two glass side panels. All that is required is to drill holes in the glass panes.



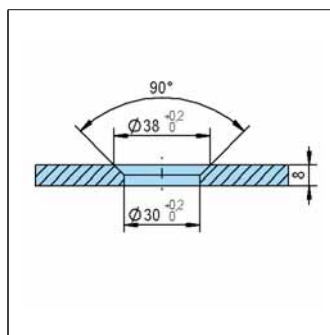
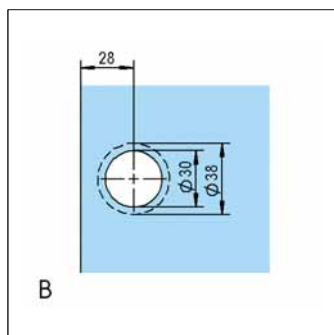
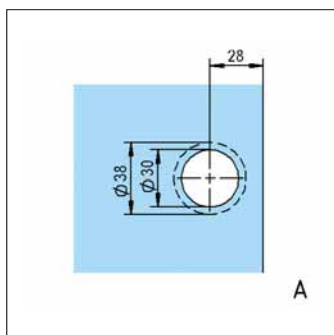
### YOUR BENEFITS

- Concealed screws
- Only glass countersunk drill holes required
- Flush mounting

ART NO.	COLOUR SCHEME
BO 5215661	Chrome-plated shiny

### TECHNICAL DETAILS

- Glass thickness ESG: 8 mm
- Angle: 135°
- Material: Brass
- Flush: Yes
- Mounting type: Glass-Glass



### INCLUDED IN DELIVERY

1 Pair

---

# Aqua and Aqua light

---

Aqua shower door fittings are the perfect alternative to all conventional shower door hinges. The aluminium profile system combines a simple and elegant design with all the technical standards of today: infinitely adjustable zero position, lift/lower mechanism and - depending on the system -  $\pm 3$  to 6 mm vertical compensation. Glass processing can also be dispensed with by means of bonding.



## AQUA SHOWER DOOR HINGE, GLASS-WALL 90°



The Aqua aluminium profile system for shower doors has a load-bearing capacity of 37 kg. Depending on the glass thickness, swing doors with overall dimensions of up to max. 0.9 x 2.2 m can be achieved. It is a continuous 90° glass-wall profile.

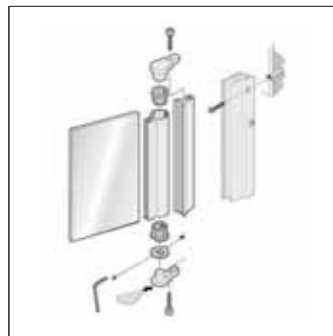
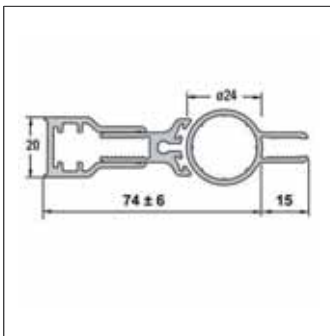
### YOUR BENEFITS

- ±6 mm lateral adjustment range to compensate for non-perpendicular walls
- Adjustable profiles with clamping technology
- Lifting/lowering technology with 5 mm lifting height

ART NO.	COLOUR SCHEME	GLASS THICKNESS ESG
BO 5200408	Aluminium colour C0 E3, polished shiny	8 mm
BO 5200407	Aluminium colour C0 E6, stained matt	8 mm
BO 5200406	Aluminium colour C0 E3, polished shiny	6 mm
BO 5200405	Aluminium colour C0 E6, stained matt	6 mm

### TECHNICAL DETAILS

- Door width: 900 mm
- Door height: 2,187 mm
- Load capacity: 37 kg
- Material: Aluminium



## AQUA LIGHT SHOWER DOOR HINGE, GLASS-WALL 90°



The Aqua aluminium profile system for shower doors has a load-bearing capacity of 37 kg. Depending on the glass thickness, swing doors with overall dimensions of up to max. 0.9 x 2.2 m can be achieved. It is a continuous 90° glass-wall profile.

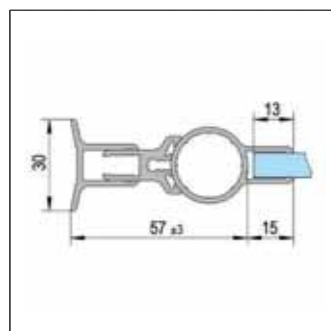
### YOUR BENEFITS

- ±3 mm lateral adjustment range to compensate for non-perpendicular walls
- Screw fixed adjustable profile
- Lifting-lowering technology with 5 mm lifting height

ART NO.	COLOUR SCHEME	GLASS THICKNESS ESG
BO 5200420	Aluminium colour C0 E3, polished shiny	8 mm
BO 5200419	Aluminium colour C0 E6, stained matt	8 mm
BO 5200421B	Black C35 E6, stained matt	8 mm

### TECHNICAL DETAILS

- Door width: 900 mm
- Door height: 2,187 mm
- Load capacity: 37 kg
- Material: Aluminium





## AQUA ADDITIONAL PROFILE FOR WALL CONNECTION FOR FIXED GLAZING, 6 MM



Aqua additional profile for connecting the Aqua wall connection profile with a fixed glass side panel. Only suitable for 6 mm glass.

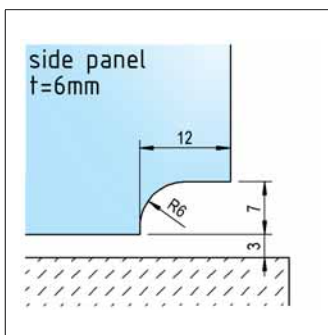
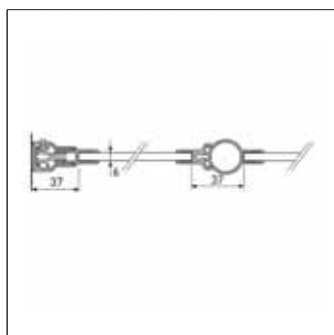
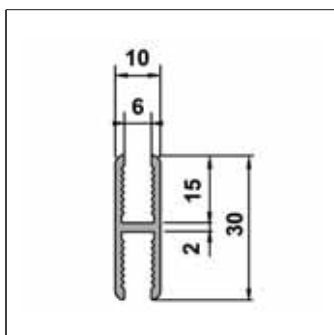
### YOUR BENEFITS

- Profile can be cut to desired length

ART NO.	COLOUR SCHEME	GLASS THICKNESS ESG
BO 5200410	Aluminium colour C0 E3, polished shiny	6 mm
BO 5200409	Aluminium colour C0 E6, stained matt	6 mm

### TECHNICAL DETAILS

- Length: 2,200 mm
- Material: Aluminium



## AQUA WALL CONNECTION PROFILE FOR FIXED GLAZING, 8 MM



Aqua additional profile for connecting the Aqua shower door fitting to a fixed glass side panel. Only suitable for 8 mm glass.

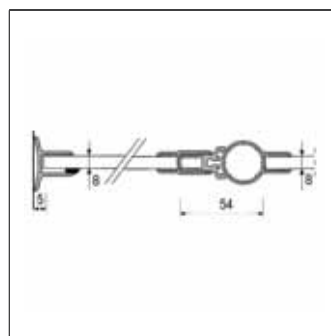
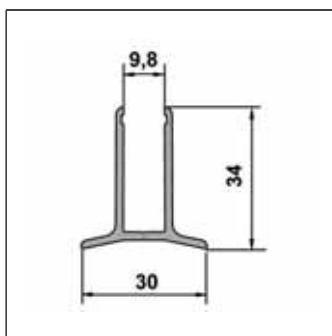
### YOUR BENEFITS

- No glass processing required
- Profile can be individually shortened

ART NO.	COLOUR SCHEME	GLASS THICKNESS ESG
BO 5200414	Aluminium colour C0 E3, polished shiny	8 mm
BO 5200413	Aluminium colour C0 E6, stained matt	8 mm

### TECHNICAL DETAILS

- Length: 2,200 mm
- Material: Aluminium



## AQUA PROFILE SET FOR WALL AND DOOR CONNECTION, 8 MM



The set consisting of Aqua door connection profile, additional profile for wall connection and rubber profile is suitable for connecting the Aqua and Aqua light door profile and the Aqua wall connection profile to a fixed glass side panel. Only suitable for 8 mm glass.

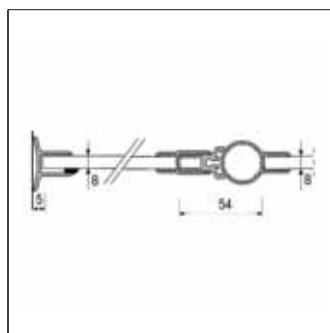
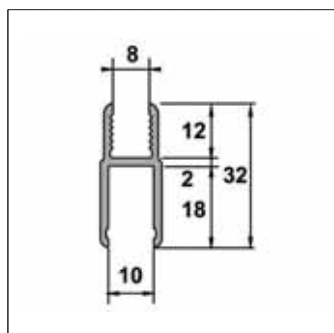
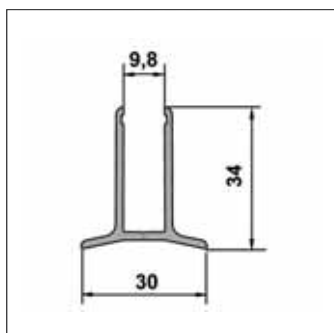
### YOUR BENEFITS

- No glass processing required
- Profile can be cut to desired length

ART NO.	COLOUR SCHEME	GLASS THICKNESS ESG
BO 5200416	Aluminium colour C0 E6, stained matt	8 mm
BO 5200417	Aluminium colour C0 E3, polished shiny	8 mm

### TECHNICAL DETAILS

- Length: 2,200
- Material: Aluminium



## AQUA / AQUA LIGHT DOOR CONNECTION PROFILE FOR FIXED GLAZING, 8 MM



Aqua door connection profile for connecting the Aqua and Aqua light door profile with a fixed glass side panel. Only suitable for 8 mm glass.

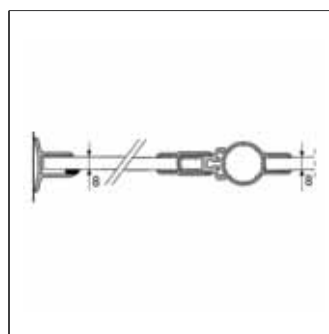
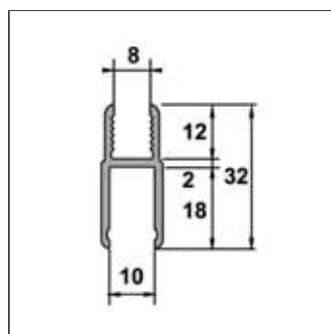
### YOUR BENEFITS

- No glass processing required
- Profile can be shortened individually

ART NO.	COLOUR SCHEME	GLASS THICKNESS ESG
BO 5200412	Aluminium colour C0 E3, polished shiny	8 mm
BO 5200411	Aluminium colour C0 E6, stained matt	8 mm

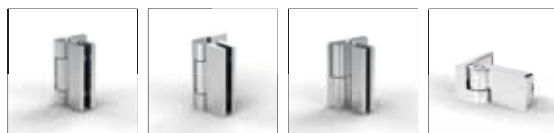
### TECHNICAL DETAILS

- Length: 2,200 mm
- Material: Aluminium



# Shower door fittings

## Stop shower door hinges



	Madrid	Avila	Arta	Lugo FM
surface	chrome-plated, stainless steel coloured, black	chrome-plated	chrome-plated, stainless steel coloured, black	chrome-plated
stop	✓	✓	✓	✓
swing				
glass thickness ESG (mm)	6 - 10	6 - 10	6 - 10	6 - 8
max. door weight (kg)	45	45	40	36
max. door width (mm)	1000	1000	1000	900
max. door height (mm)	2250	2250	2000	2000
cont. sealing tape	✓	✓	✓	✓
without seal				
zero position adjustment			✓	
self-closing from approx.			60°	60°
opening angle	90-180°	90-180°	90-180°	90-180°
concealed screws	✓	✓	✓	✓
concealed wall fittings	✓	✓	✓	✓
rise/fall function			✓	✓
flush				✓
SDH glass wall 90° outwards	✓	✓	✓	✓
SDH glass wall 90° inwards	✓	✓		
SDH glass wall 180°	✓			
SDH glass-glass 90°				
SDH glass-glass 135°	✓		✓	
SDH glass-glass 180°	✓	✓	✓	
AC glass wall 90°	✓	✓	✓	✓
AC glass wall 135°				✓
AC glass wall 180°	✓		✓	
AC glass wall var. 45-180°	✓		✓	
AC glass-glass 90°	✓	✓	✓	
AC glass-glass 135°	✓		✓	✓
AC glass-glass 180°	✓		✓	
AC glass-glass var. 45-180°	✓		✓	
page	125	134	140	149

SDH = Shower door hinge  
AC = angle connector

---

# Madrid shower door fittings

---

Madrid shower door fittings are an elegant solution for glass shower doors. The portfolio consists of numerous variants and is therefore suitable for almost all types of installations. A true all-rounder. The hinges are designed as single-action door hinges and enable the sealing profiles to be guided through the hinge. The design is characterised by its straight lines and is very popular in modern bathrooms. No disruptive screw fittings are visible. The Madrid shower door hinge enhances any glass shower!



# MADRID SHOWER DOOR HINGE, GLASS-WALL 90°

The Madrid rebate shower door hinge has a load capacity of 45 kg. Doors up to max. 1 x 2.25 m can be achieved. The 90° glass-wall installation is designed for right-angled corner showers and recess showers.

### YOUR BENEFITS

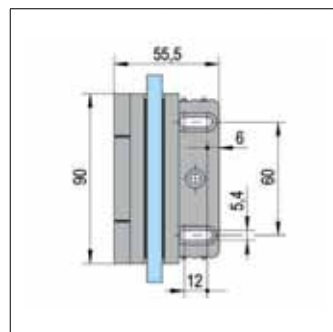
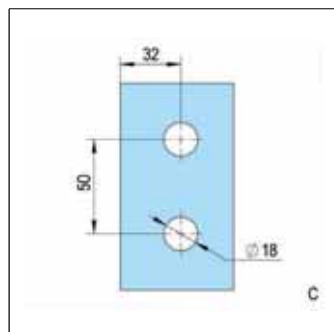
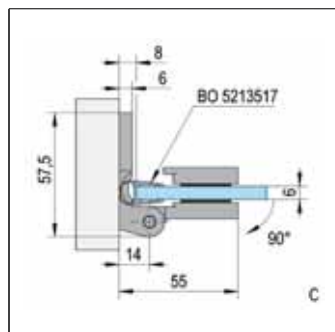
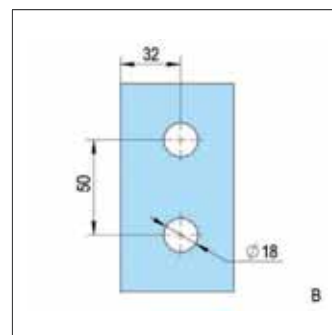
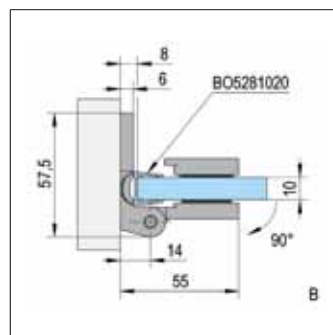
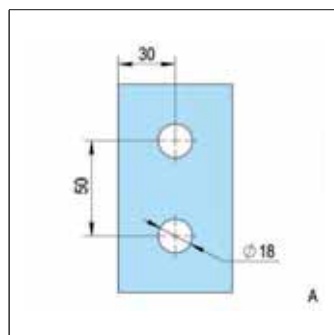
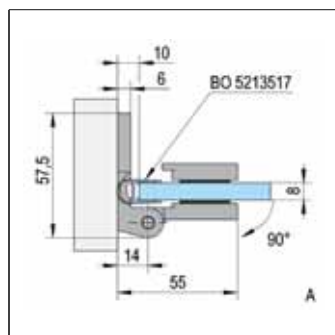
- Concealed screws
- Only glass drilling required
- Shower door seals can be passed through the hinge



ART NO.	COLOUR SCHEME
BO 5215430H	Chrome-plated shiny
BO 5215485	Stainless steel colour brushed matt
BO 5215484	Black matt

### TECHNICAL DETAILS

- Door width: 1,000 mm
- Door height: 2,250 mm
- Max. door weight per pair: 45 kg
- Glass thickness ESG: 6 - 10 mm
- Material: Brass



# MADRID SHOWER DOOR HINGE, GLASS-WALL 90°, OPENING INWARDS

The Madrid rebate shower door hinge has a load capacity of 45 kg. Doors up to max. 1 x 2.25 m that open inwards can be achieved. The hinge is used for folding doors in right-angled corner showers or recess showers. Folding screens as a bath attachment are also possible.



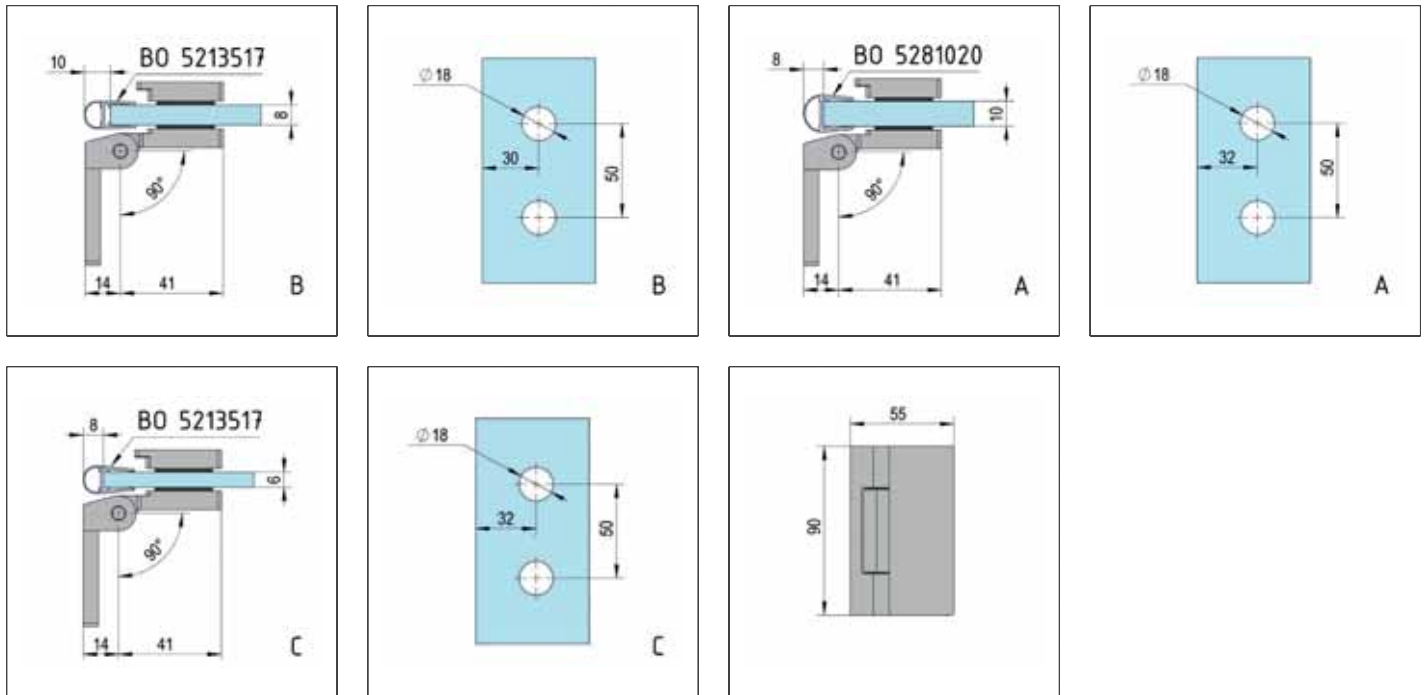
### YOUR BENEFITS

- Concealed screws
- Only glass drilling required
- Shower door seals can be passed through the hinge

ART NO.	COLOUR SCHEME	OPENING INWARDS
BO 5215431	Chrome-plated shiny	Yes
BO 5215482	Stainless steel colour brushed matt	Yes
BO 5215483	Black matt	Yes

### TECHNICAL DETAILS

- Door width: 1,000 mm
- Door height: 2,250 mm
- Max. door weight per pair: 45 kg
- Glass thickness ESG: 6 - 10 mm
- Material: Brass



# MADRID SHOWER DOOR HINGE, GLASS-GLASS 135-180°

The Madrid swing shower door hinge has a load-bearing capacity of 45 kg. Doors up to max. 1 x 2.25 m can be achieved. With the 135-180° glass-glass assembly, the hinge can be used universally and is designed for both space-saving 135° corner showers and 180° folding glass screens.

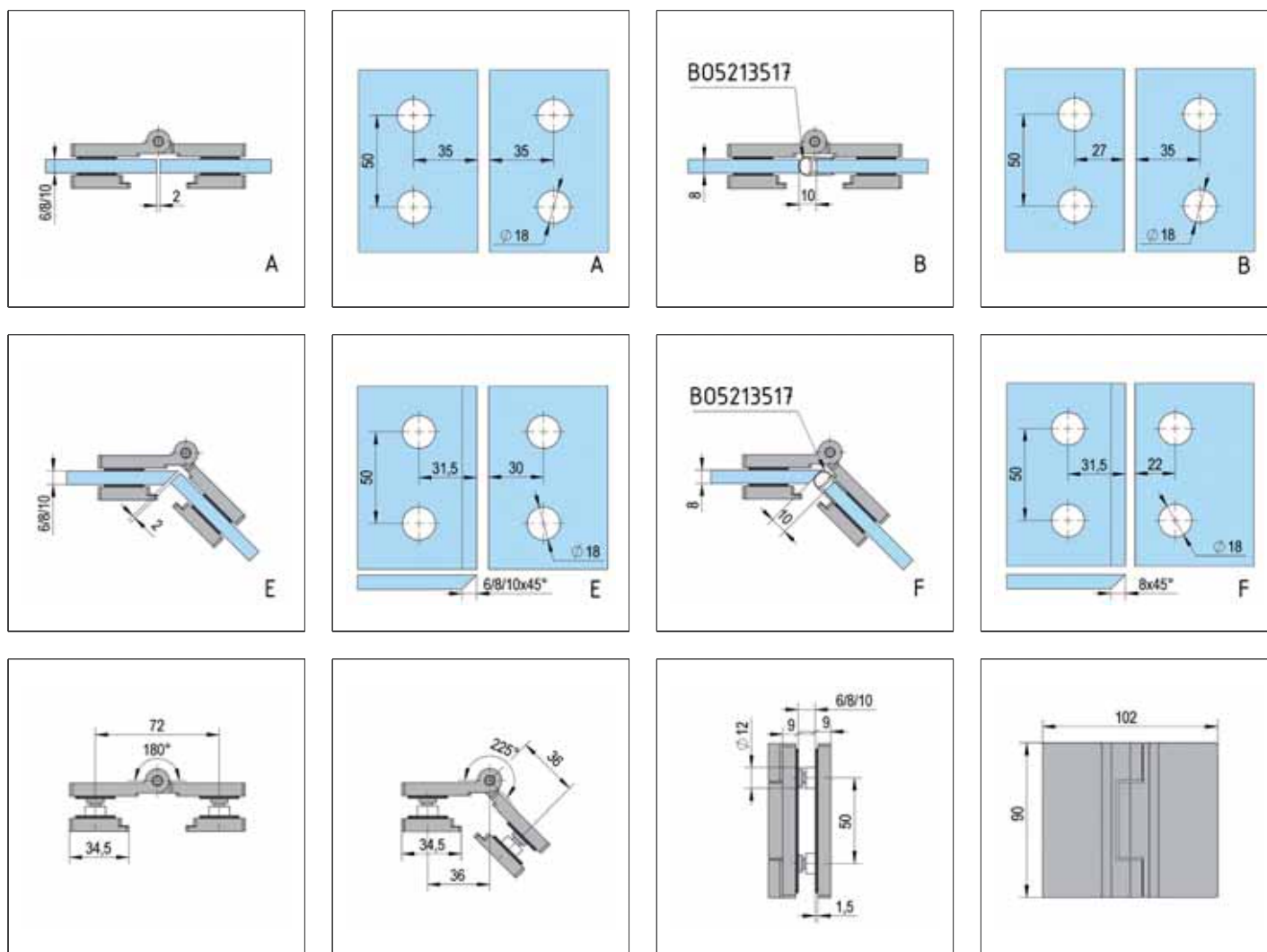
### YOUR BENEFITS

- Concealed screws
- Only glass drilling required
- Shower door seals can be passed through the hinge

ART NO.	COLOUR SCHEME
BO 5215490	Chrome-plated shiny
BO 5215491	Stainless steel colour brushed matt
BO 5215492	Black matt

### TECHNICAL DETAILS

- Door width: 1,000 mm
- Door height: 2,250 mm
- Max. door weight per pair: 45 kg
- Glass thickness ESG: 6 - 10 mm
- Material: Brass





# MADRID SHOWER DOOR HINGE, GLASS-WALL 180°

The Madrid rebate shower door hinge has a load capacity of 45 kg. Doors up to max. 1 x 2.25 m can be achieved. The hinge for 180° glass-wall installation is designed so that the inner walls of the shower remain free of fittings.

### YOUR BENEFITS

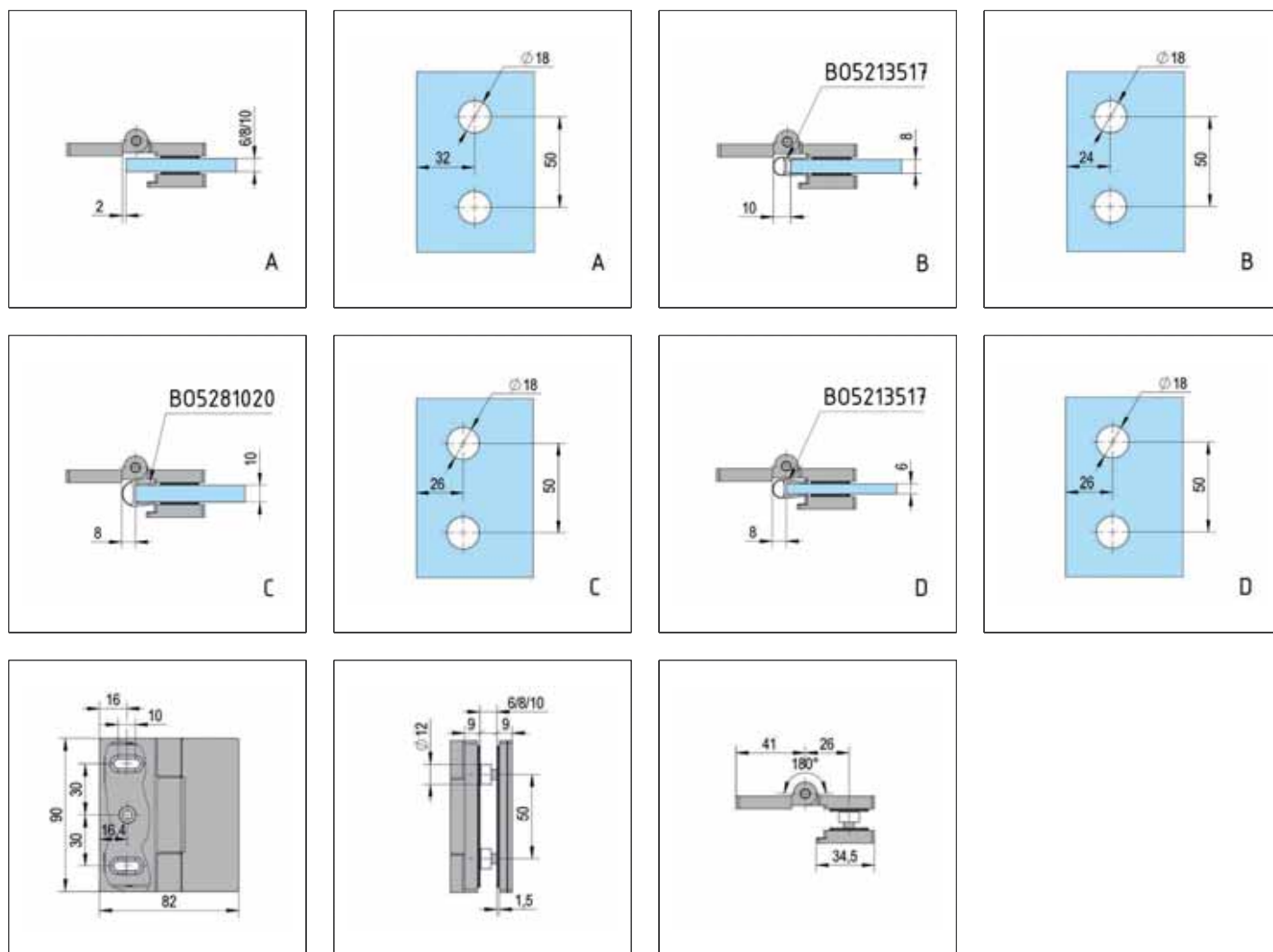
- Concealed screws
- Only glass drilling required
- Shower door seals can be passed through the hinge



ART NO.	COLOUR SCHEME
B0 5215496	Chrome-plated shiny
B0 5215497	Stainless steel colour brushed matt
B0 5215498	Black matt

### TECHNICAL DETAILS

- Door width: 1,000 mm
- Door height: 2,250 mm
- Max. door weight per pair: 45 kg
- Glass thickness ESG: 6 - 10 mm
- Material: Brass



## ADJUSTABLE ANGLE CONNECTOR, GLASS-GLASS/WALL 45-180°



The angle connector can be freely adjusted between 45-180° with just one screw. It can be used for glass-glass or glass-wall applications to connect a wall with a glass side panel or two fixed glass side panels at almost any angle.

### YOUR BENEFITS

- Only glass drilling required
- Can be used across all product ranges, e.g. Madrid, Arta and Santos
- Can be used as a glass-glass and glass-wall connector

ART NO.	COLOUR SCHEME
BO 5218459	Chrome-plated shiny
BO 5218460	Stainless steel colour brushed matt
BO 5218461	Black matt

### TECHNICAL DETAILS

- Mounting type: Glass-Glass, Glass-Wall
- Glass thickness ESG: 6 - 10 mm
- Angle: 45 - 180°
- Concealed wall fixings: Yes
- Material: Brass

### PLEASE NOTE

Please refer to the installation drawings and instructions. Suitable for the Madrid, Arta and Santos product ranges.

### INCLUDED IN DELIVERY

1 Piece

## MADRID ANGLE CONNECTOR, GLASS-WALL 90°



Madrid angle connector 90° glass-wall, for connecting a wall with a fixed side panel. Only inexpensive glass drill holes are required.

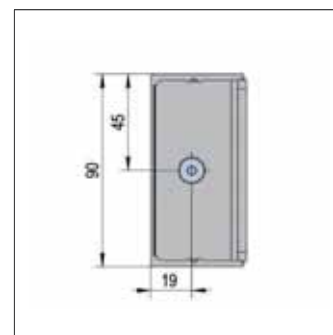
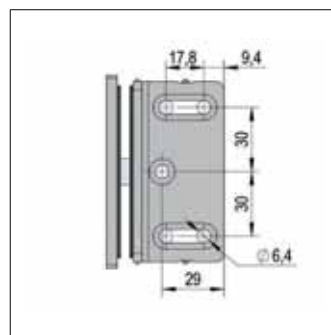
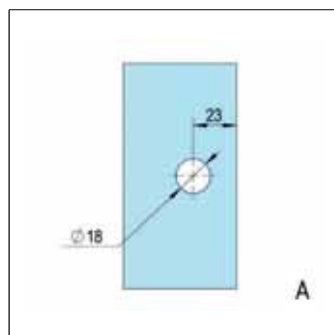
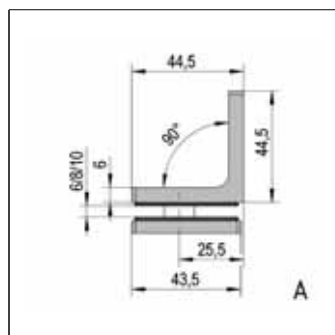
### YOUR BENEFITS

- Concealed screws
- Only glass drilling required

ART NO.	COLOUR SCHEME
BO 5215433	Chrome-plated shiny
BO 5215488	Stainless steel colour brushed matt
BO 5215489	Black matt

### TECHNICAL DETAILS

- Mounting type: Glass-Wall
- Glass thickness ESG: 6 - 10 mm
- Angle: 90°
- Concealed wall fixings: Yes
- Material: Brass



# MADRID ANGLE CONNECTOR, GLASS-GLASS 90°

The 90° glass-glass Madrid angle connectors enable cost-effective installation of a 90° glass corner connection, for example for glass showers in a U-shape. Only glass drill holes are required.



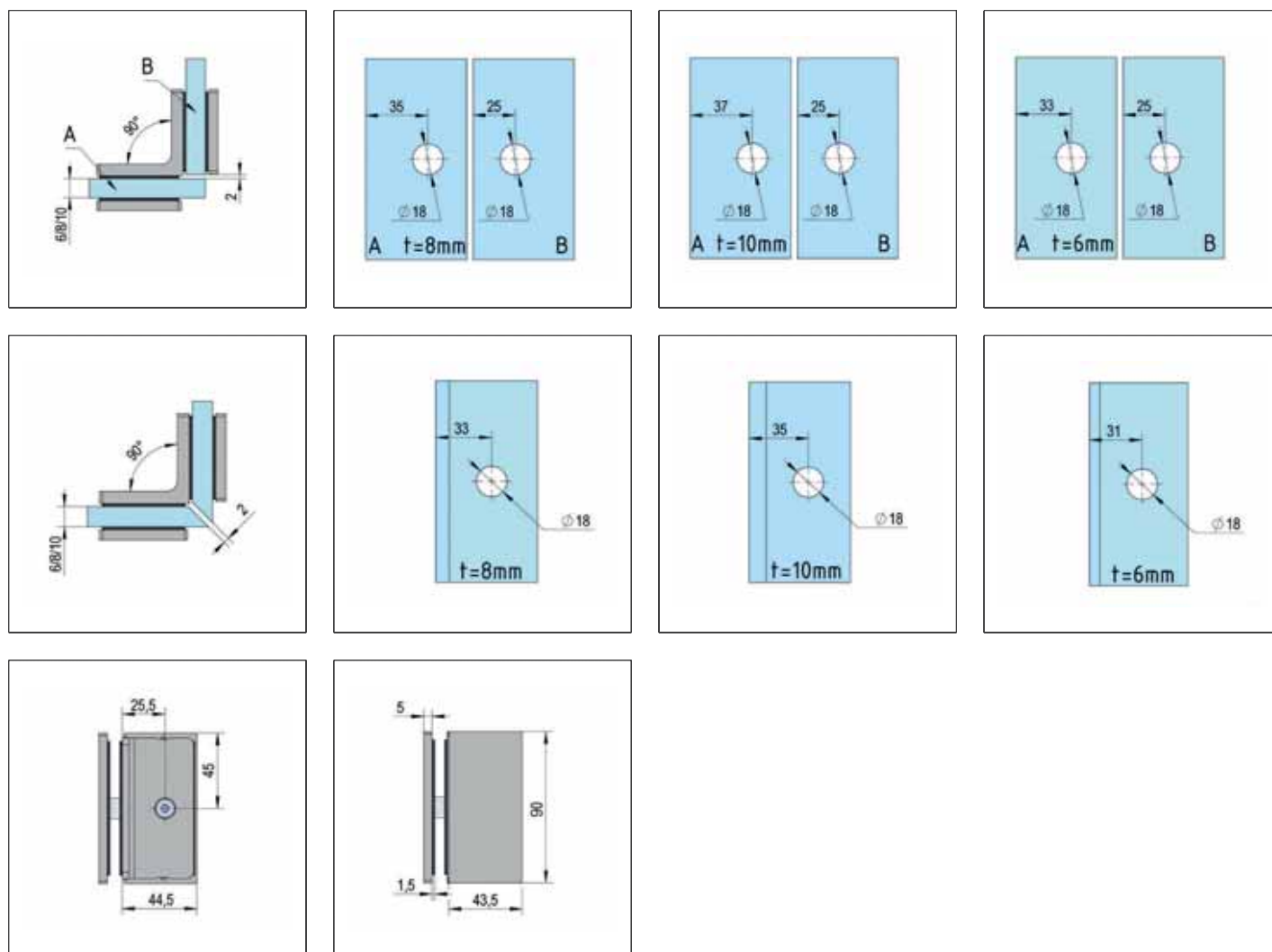
## YOUR BENEFITS

- Concealed screws
- Only glass drilling required

ART NO.	COLOUR SCHEME
BO 5215434	Chrome-plated shiny
BO 5215487	Stainless steel colour brushed matt
BO 5215486	Black matt

## TECHNICAL DETAILS

- Mounting type: Glass-Glass
- Glass thickness ESG: 6 - 10 mm
- Angle: 90°
- Material: Brass
- Flush: No



# MADRID SIDE CONNECTOR, GLASS-GLASS/ -WALL 180°

The Madrid 180° connector can be used either for glass-glass or glass-wall applications to connect a wall with a glass side panel or two fixed glass side panels. It is primarily used for large glass fronts.



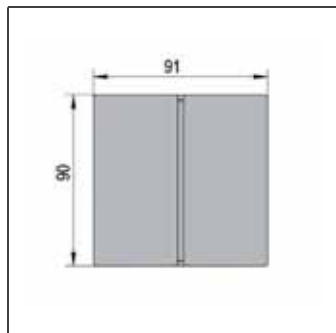
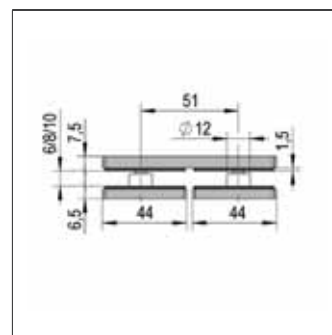
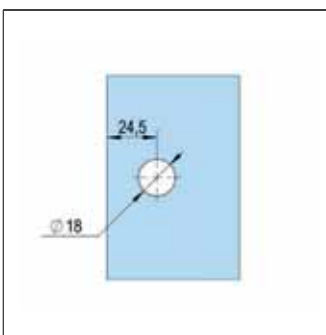
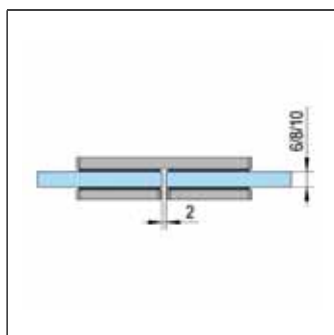
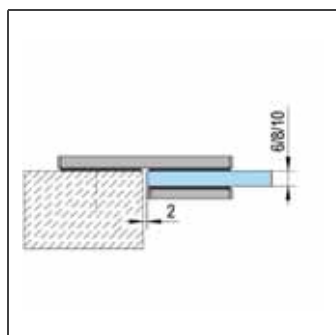
### YOUR BENEFITS

- Concealed screws
- Can be used for glass-glass or glass-wall applications
- Only glass drilling required

ART NO.	COLOUR SCHEME
BO 5215493	Chrome-plated shiny
BO 5215494	Stainless steel colour brushed matt
BO 5215495	Black matt

### TECHNICAL DETAILS

- Mounting type: Glass-Glass, Glass-Wall
- Glass thickness ESG: 6 - 10 mm
- Material: Brass





---

# Avila shower door fittings

---

The Avila shower door hinge range convinces thanks to its clear-cut design and versatility. The hinges and clamps for one-side opening doors are not only suitable for glass thickness of 6, 8, and 10 mm but can also be used for doors with a height of up to 2.25 m, which are especially sought-after in modern bathrooms. The bathroom is increasingly becoming a place of well-being where ample space is reserved for the shower. Avila supports doors of up to 45 kg and guarantees a long service life thanks to its high quality materials, brass and stainless steel.





# AVILA SHOWER DOOR HINGE, GLASS-WALL 90°

The Avila glass-wall 90° shower door hinge has a load-bearing capacity of 45 kg. Doors up to 1 x 2.25 m can be achieved. The 90° glass-wall mounting enables a glass door to be mounted on a wall.

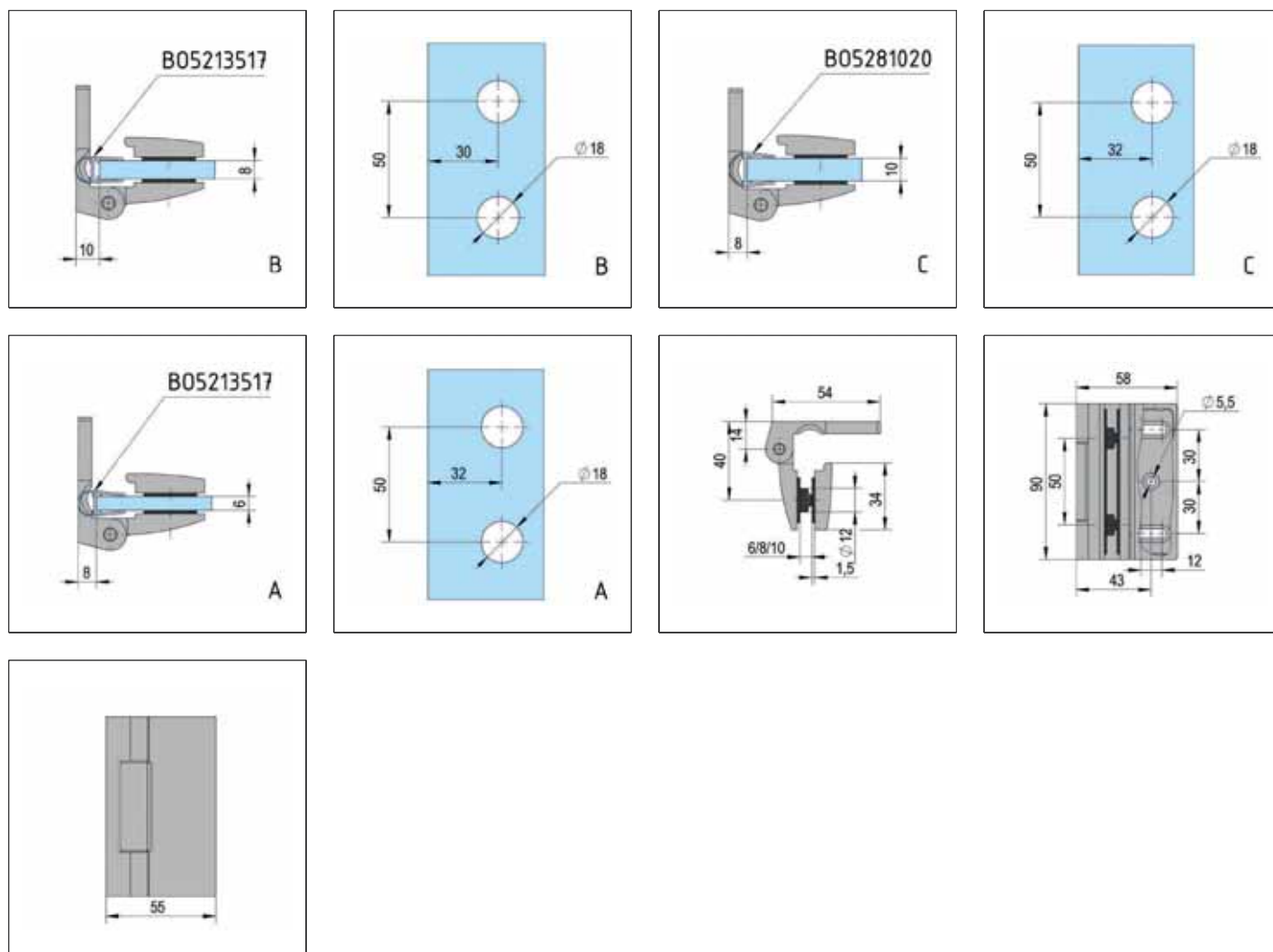
## YOUR BENEFITS

- Only glass drilling required
- Concealed screws
- Shower door seals can be passed through the hinge

ART NO.	COLOUR SCHEME
B0 5215470	Chrome-plated shiny

## TECHNICAL DETAILS

- Door width: 1,000 mm
- Door height: 2,250 mm
- Max. door weight per pair: 45 kg
- Glass thickness ESG: 6 - 10 mm
- Material: Brass





# AVILA SHOWER DOOR HINGE, GLASS-WALL 90°, OPENING INWARDS

Avila



The Avila glass-wall 90° stop shower door hinge has a load-bearing capacity of 45 kg and opens inwards. Doors up to 1 x 2.25 m can be achieved. The hinge is used for folding doors in right-angled corner showers or niche showers. Folding walls as bath attachments are also possible.

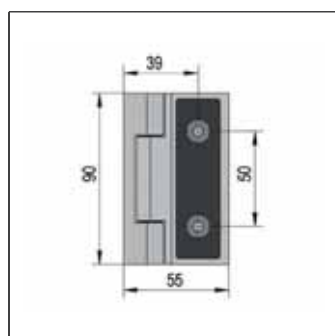
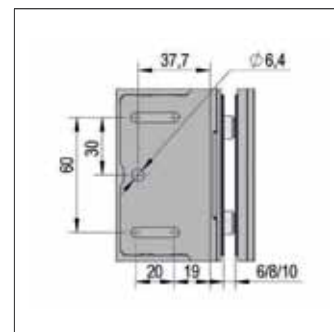
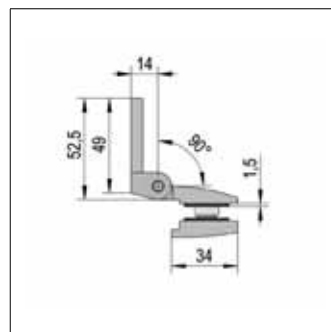
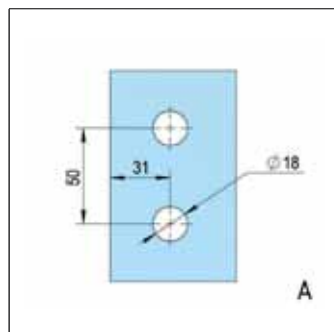
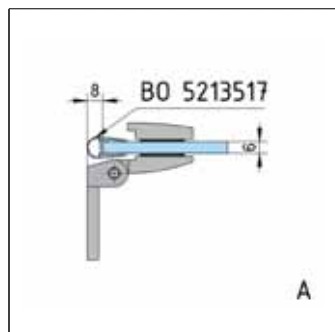
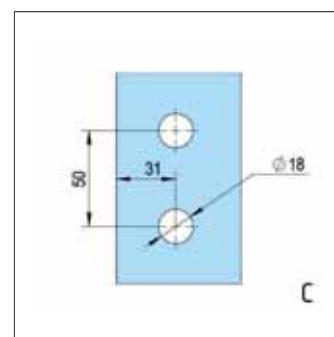
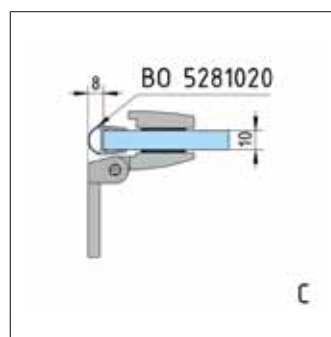
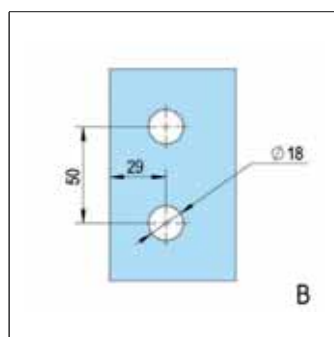
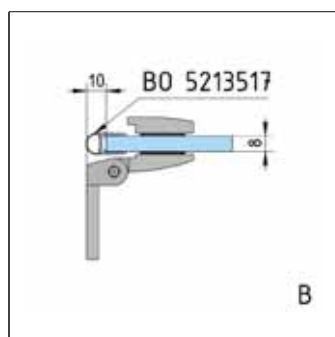
## YOUR BENEFITS

- Only glass drilling required
- Concealed screws
- Shower door seals can be passed through the hinge

ART NO.	COLOUR SCHEME	OPENING INWARDS
BO 5215471	Chrome-plated shiny	Yes

## TECHNICAL DETAILS

- Door width: 1,000 mm
- Door height: 2,250 mm
- Max. door weight per pair: 45 kg
- Glass thickness ESG: 6 - 10 mm
- Material: Brass



# AVILA SHOWER DOOR HINGE, GLASS-GLASS 180°



The Avila glass-glass 180° hinged shower door has a load-bearing capacity of 45 kg. Doors up to 1 x 2.25 m can be achieved. With the 180° glass-glass assembly, the hinge is designed for 180° folding glass doors and large glass fronts, among other things.

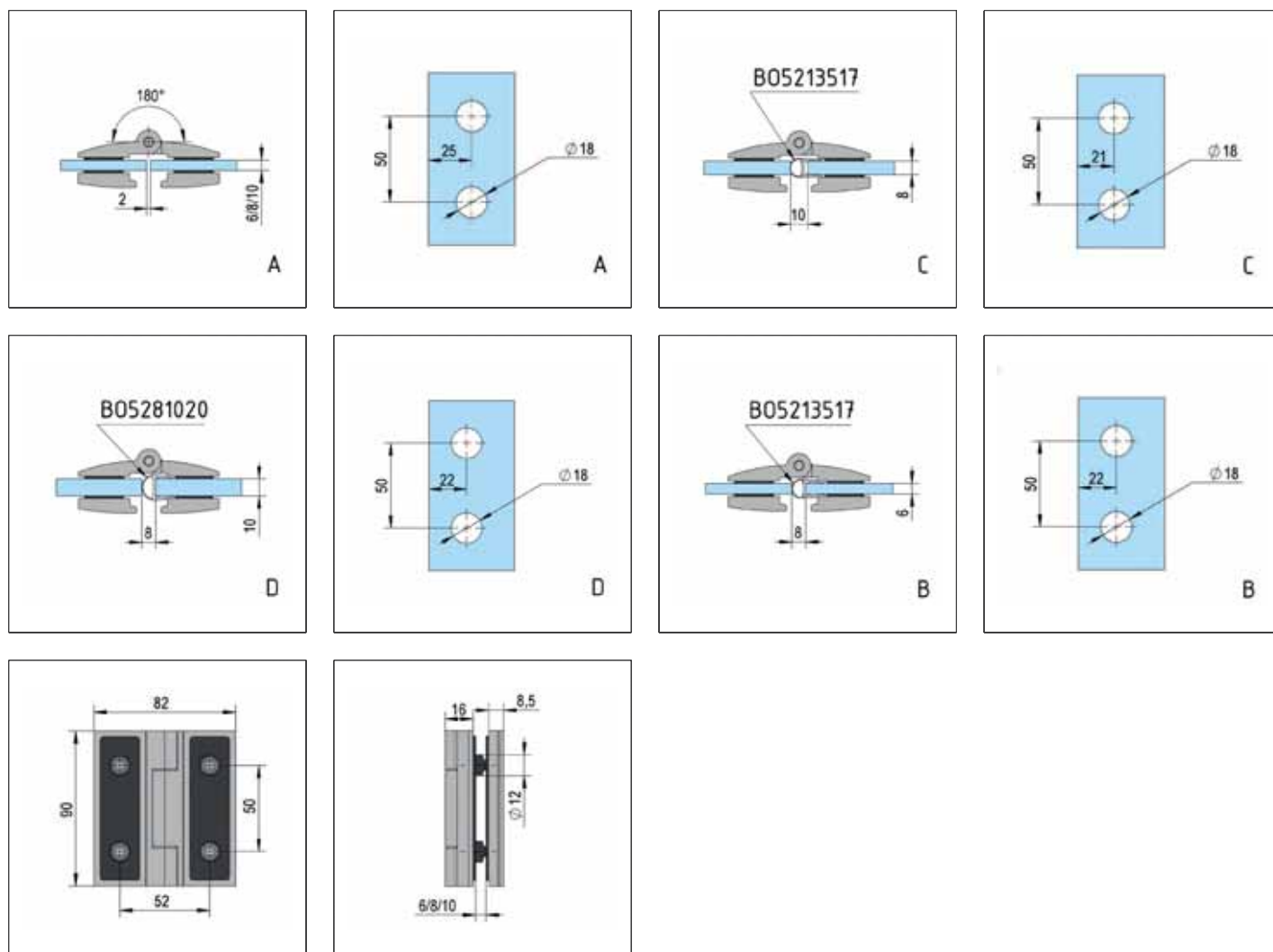
### YOUR BENEFITS

- Only glass drilling required
- Concealed screws
- Shower door seals can be passed through the hinge

ART NO.	COLOUR SCHEME
B0 5215474	Chrome-plated shiny

### TECHNICAL DETAILS

- Door width: 1,000 mm
- Door height: 2,250 mm
- Max. door weight per pair: 45 kg
- Glass thickness ESG: 6 - 10 mm
- Material: Brass



## AVILA ANGLE CONNECTOR, GLASS-WALL 90°



Avila angle connector 90° glass-wall for connecting a fixed glass side panel to a wall. Only simple glass holes in the glass panes are required.

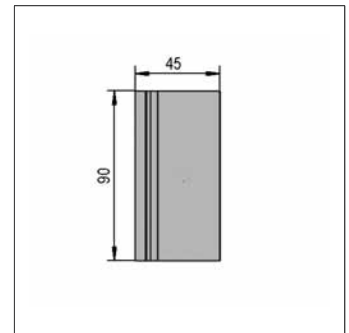
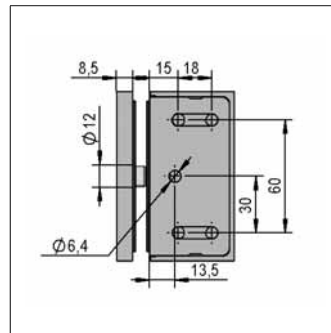
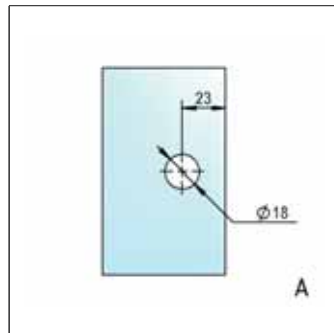
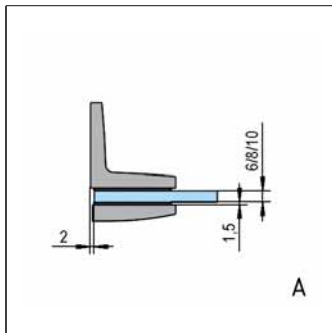
### YOUR BENEFITS

- Only glass drilling required
- Concealed screws
- Cover caps with clip technology

ART NO.	COLOUR SCHEME
BO 5215473	Chrome-plated shiny

### TECHNICAL DETAILS

- Mounting type: Glass-Wall
- Glass thickness ESG: 6 - 10 mm
- Angle: 90°
- Concealed wall fixings: Yes
- Material: Brass



# AVILA ANGLE CONNECTOR, GLASS-GLASS 90°



Avila angle connector 90° glass-glass for connecting two fixed glass side panels to each other. Only simple holes in the glass panes are required.

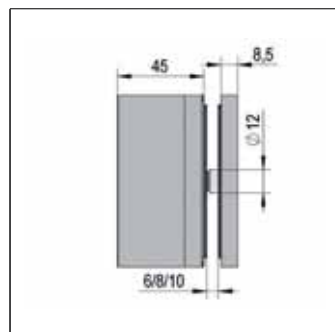
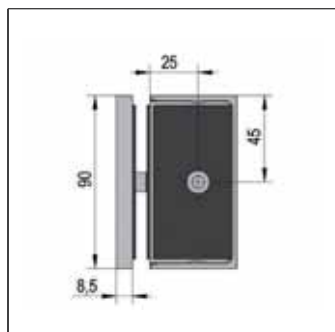
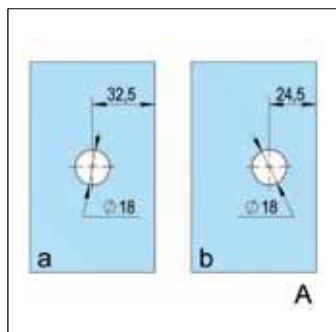
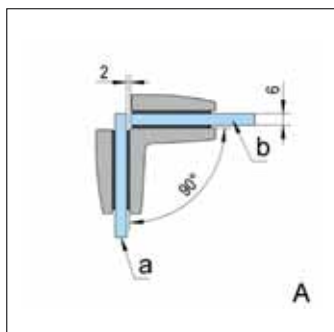
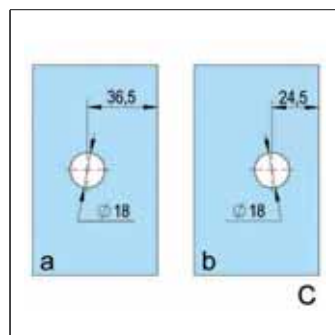
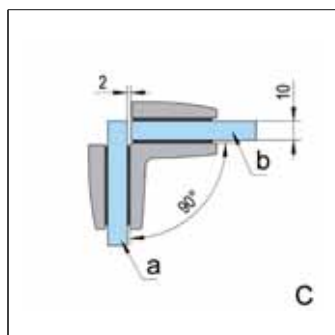
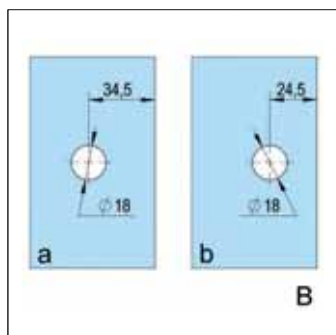
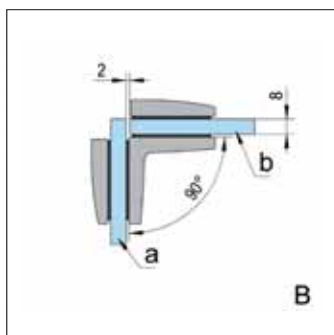
### YOUR BENEFITS

- Only glass drilling required
- Concealed screws
- Cover caps with clip technology

ART NO.	COLOUR SCHEME
B0 5215472	Chrome-plated shiny

### TECHNICAL DETAILS

- Mounting type: Glass-Glass
- Glass thickness ESG: 6 - 10 mm
- Angle: 90°
- Material: Brass
- Flush: No



---

# Arta shower door fittings

---

The Arta series impresses with its clear design and many features, such as the integrated raise/lower mechanism and the infinitely variable zero position adjustment. The extensive product range consists of many variants and is therefore suitable for a wide range of installations. Robust materials inside the hinge guarantee a long service life.



# ARTA SHOWER DOOR HINGE, GLASS-WALL 90°, DIN LEFT



The Arta glass-wall 90° shower door hinge has a load-bearing capacity of 40 kg. Doors up to 1 x 2 m can be achieved. The hinge has a lifting and lowering function and is designed for right-angled corner showers and recess showers.

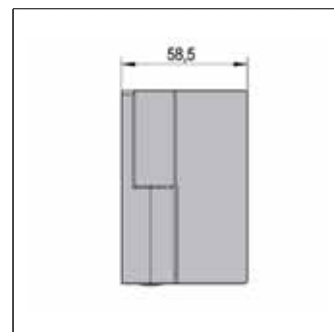
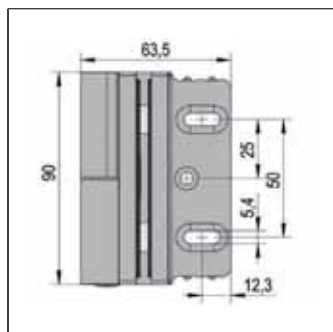
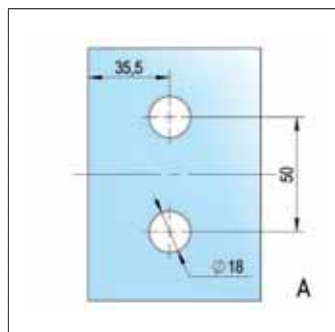
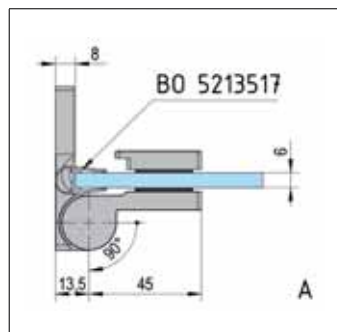
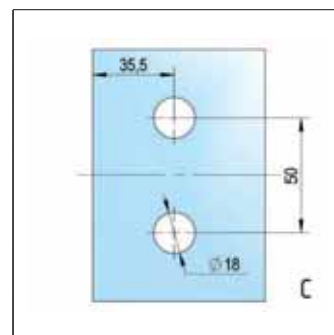
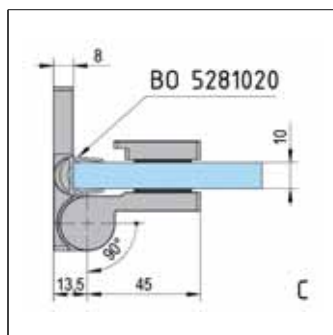
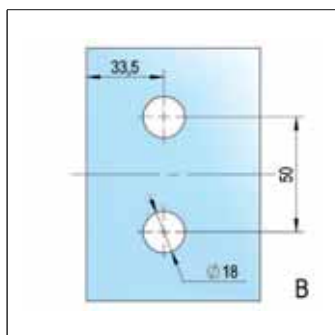
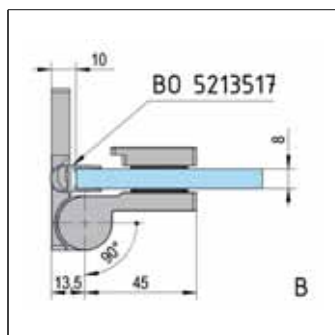
## YOUR BENEFITS

- Shower door seals can be guided through the hinge
- Stepless zero position adjustment
- Lift/lower mechanism with 5 mm lifting height

ART NO.	COLOUR SCHEME	OPENING DIRECTION
BO 5215530L	Chrome-plated shiny	Left
BO 5215670L	Stainless steel colour brushed matt	Left
BO 5215671L	Black matt	Left

## TECHNICAL DETAILS

- Door width: 1,000 mm
- Door height: 2,000 mm
- Max. door weight per pair: 40 kg
- Glass thickness ESG: 6 - 10 mm
- Material: Brass



# ARTA SHOWER DOOR HINGE, GLASS-WALL 90°, DIN RIGHT



The Arta glass-wall 90° shower door hinge has a load-bearing capacity of 40 kg. Doors up to 1 x 2 m can be achieved. The hinge has a lifting and lowering function and is designed for right-angled corner showers and recess showers.

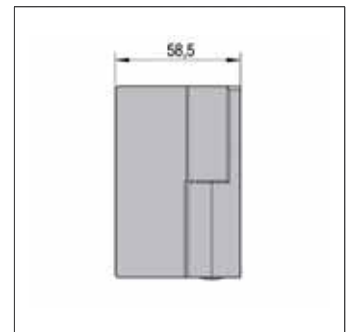
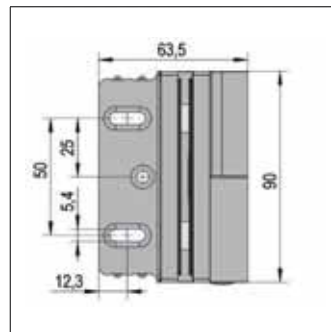
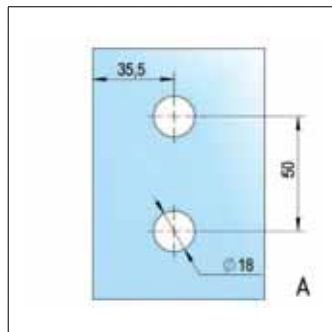
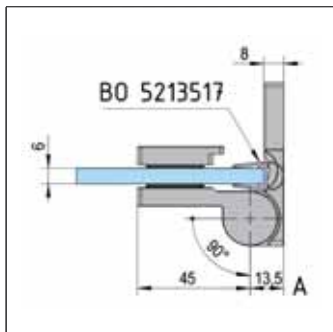
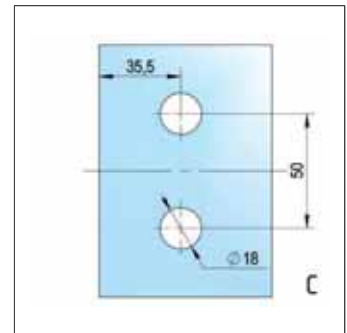
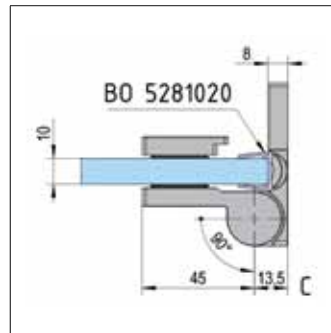
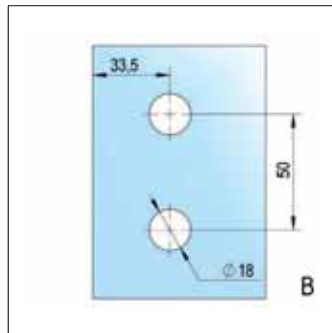
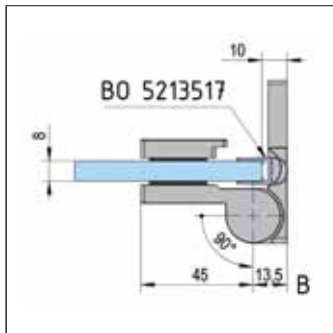
## YOUR BENEFITS

- Shower door seals can be guided through the hinge
- Stepless zero position adjustment
- Lift/lower mechanism with 5 mm lifting height

ART NO.	COLOUR SCHEME	OPENING DIRECTION
BO 5215530R	Chrome-plated shiny	Right
BO 5215670R	Stainless steel colour brushed matt	Right
BO 5215671R	Black matt	Right

## TECHNICAL DETAILS

- Door width: 1,000 mm
- Door height: 2,000 mm
- Max. door weight per pair: 40 kg
- Glass thickness ESG: 6 - 10 mm
- Material: Brass





# ARTA SHOWER DOOR HINGE, GLASS-GLASS 135°, DIN LEFT

The Arta glass-glass 135° shower door hinge has a load-bearing capacity of 40 kg. Doors up to 1 x 2 m can be achieved. The hinge has a lifting and lowering function and is designed, for example, for modern and space-saving pentagonal showers.

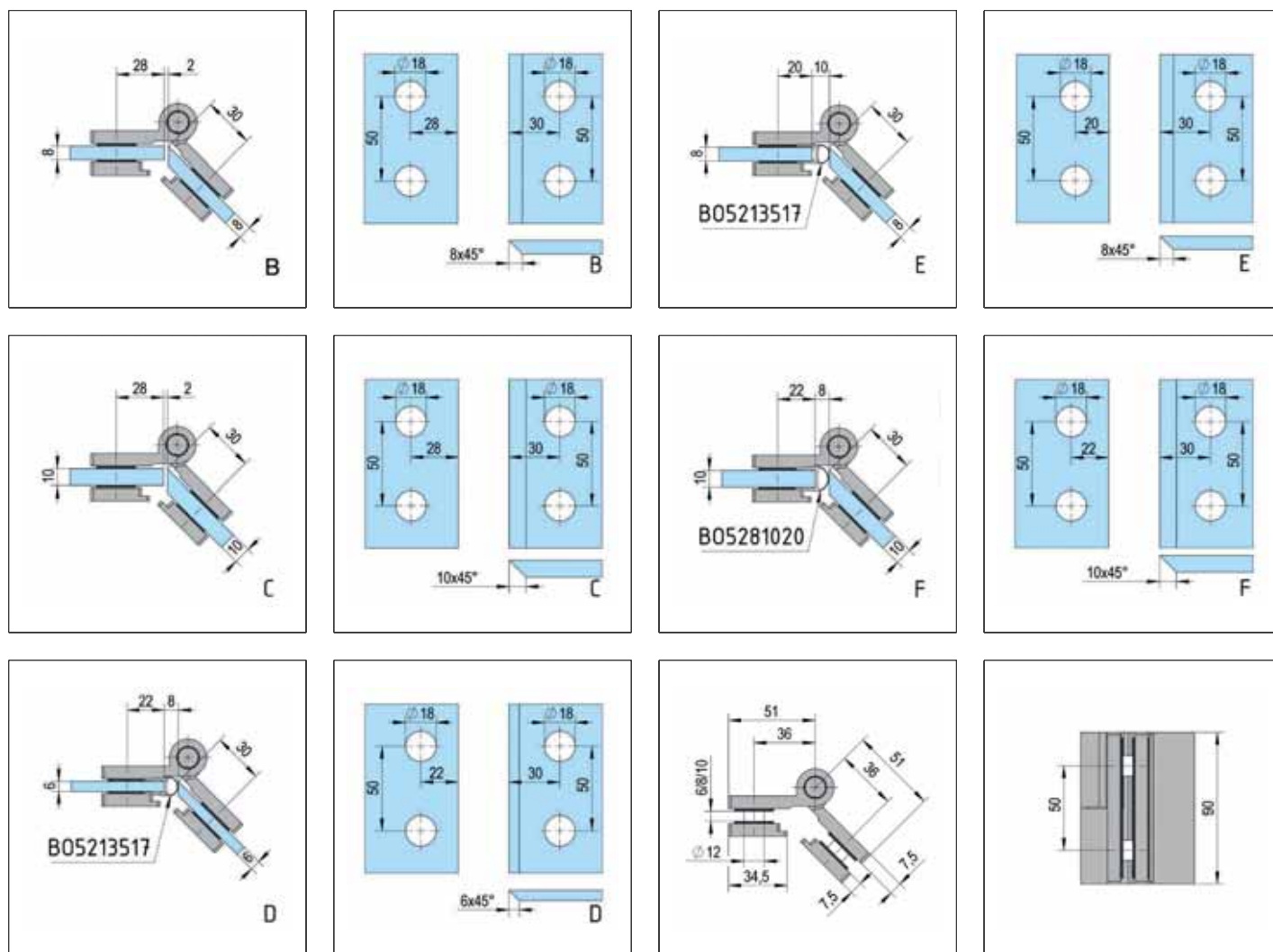
## YOUR BENEFITS

- Shower door seals can be guided through the hinge
- Stepless zero position adjustment
- Lift/lower mechanism with 5 mm lifting height

ART NO.	COLOUR SCHEME	OPENING DIRECTION
BO 5215674L	Chrome-plated shiny	Left
BO 5215675L	Stainless steel colour brushed matt	Left
BO 5215676L	Black matt	Left

## TECHNICAL DETAILS

- Door width: 1,000 mm
- Door height: 2,000 mm
- Max. door weight per pair: 40 kg
- Glass thickness ESG: 6 - 10 mm
- Material: Brass





# ARTA SHOWER DOOR HINGE, GLASS-GLASS 135°, DIN RIGHT

The Arta glass-glass 135° shower door hinge has a load-bearing capacity of 40 kg. Doors up to 1 x 2 m can be achieved. The hinge has a lifting and lowering function and is designed, for example, for modern and space-saving pentagonal showers.

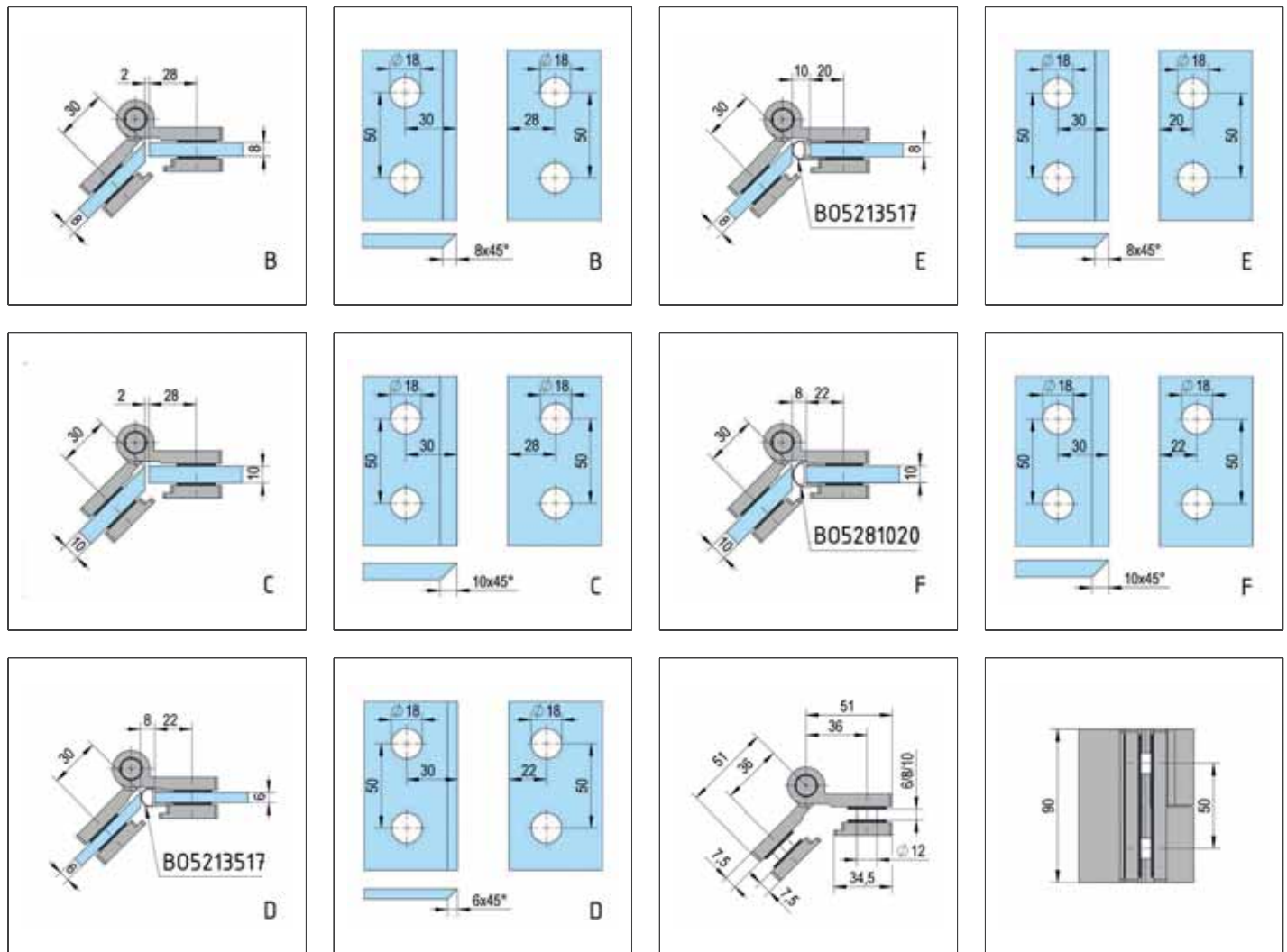
## YOUR BENEFITS

- Shower door seals can be guided through the hinge
- Stepless zero position adjustment
- Lift/lower mechanism with 5 mm lifting height

ART NO.	COLOUR SCHEME	OPENING DIRECTION
<b>BO 5215674R</b>	Chrome-plated shiny	Right
<b>BO 5215675R</b>	Stainless steel colour brushed matt	Right
<b>BO 5215676R</b>	Black matt	Right

## TECHNICAL DETAILS

- Door width: 1,000 mm
- Door height: 2,000 mm
- Max. door weight per pair: 40 kg
- Glass thickness ESG: 6 - 10 mm
- Material: Brass



# ARTA SHOWER DOOR HINGE, GLASS-GLASS 180°, DIN LEFT

The Arta glass-glass 180° shower door hinge has a load-bearing capacity of 40 kg. Doors up to 1 x 2 m can be achieved. The hinge has a lifting and lowering function and is designed for 180° folding glass doors, among other things.

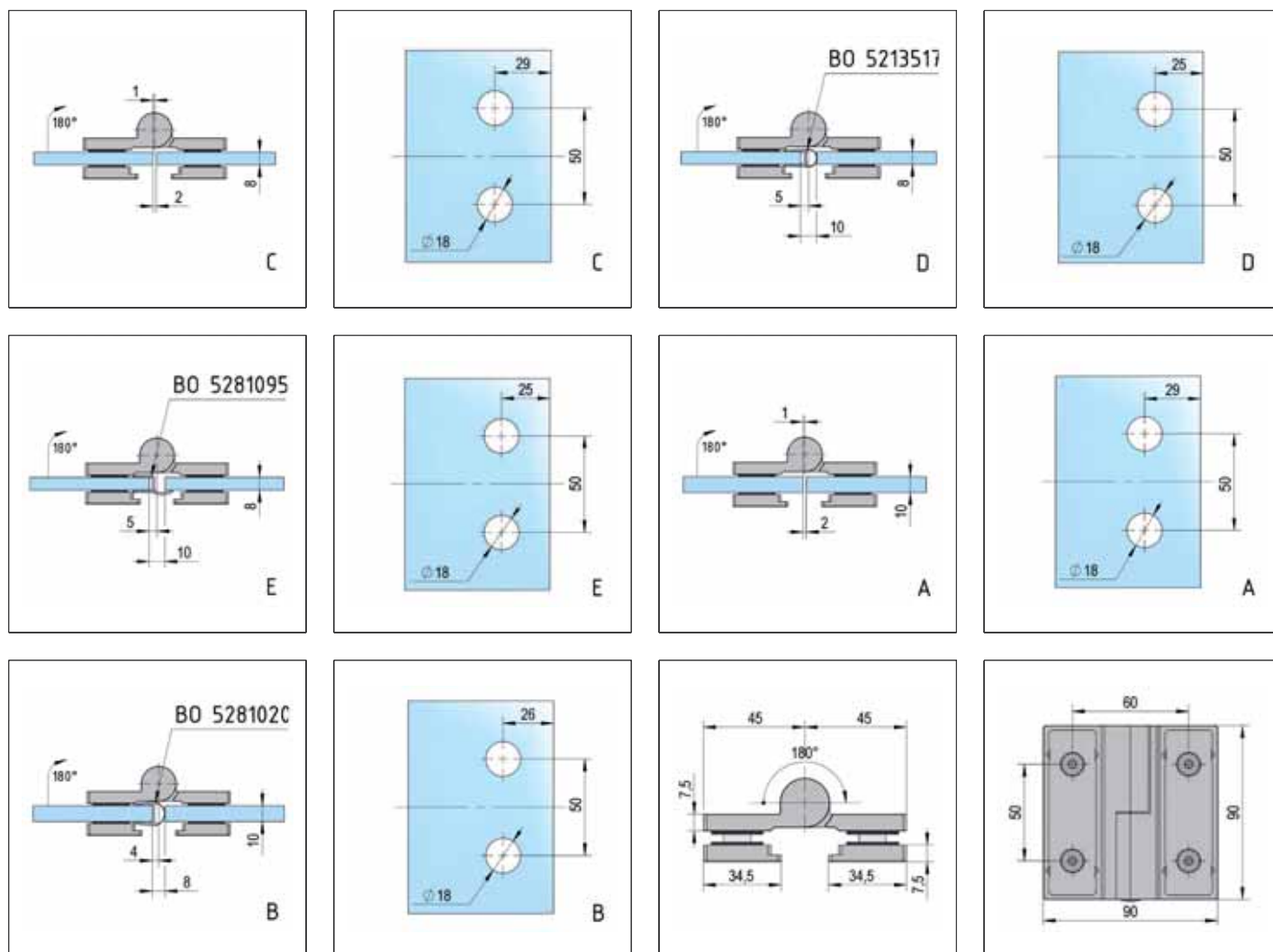
## YOUR BENEFITS

- Shower door seals can be passed through the hinge
- Stepless zero position adjustment
- Lifting-lowering mechanism with 5 mm lifting height

ART NO.	COLOUR SCHEME	OPENING DIRECTION
BO 5215532L	Chrome-plated shiny	Left
BO 5215672L	Stainless steel colour brushed matt	Left
BO 5215673L	Black matt	Left

## TECHNICAL DETAILS

- Door width: 1,000 mm
- Door height: 2,000 mm
- Max. door weight per pair: 40 kg
- Glass thickness ESG: 6 - 10 mm
- Material: Brass



# ARTA SHOWER DOOR HINGE, GLASS-GLASS 180°, DIN RIGHT



The Arta glass-glass 180° shower door hinge has a load-bearing capacity of 40 kg. Doors up to 1 x 2 m can be achieved. The hinge has a lifting and lowering function and is designed for 180° folding glass doors, among other things.

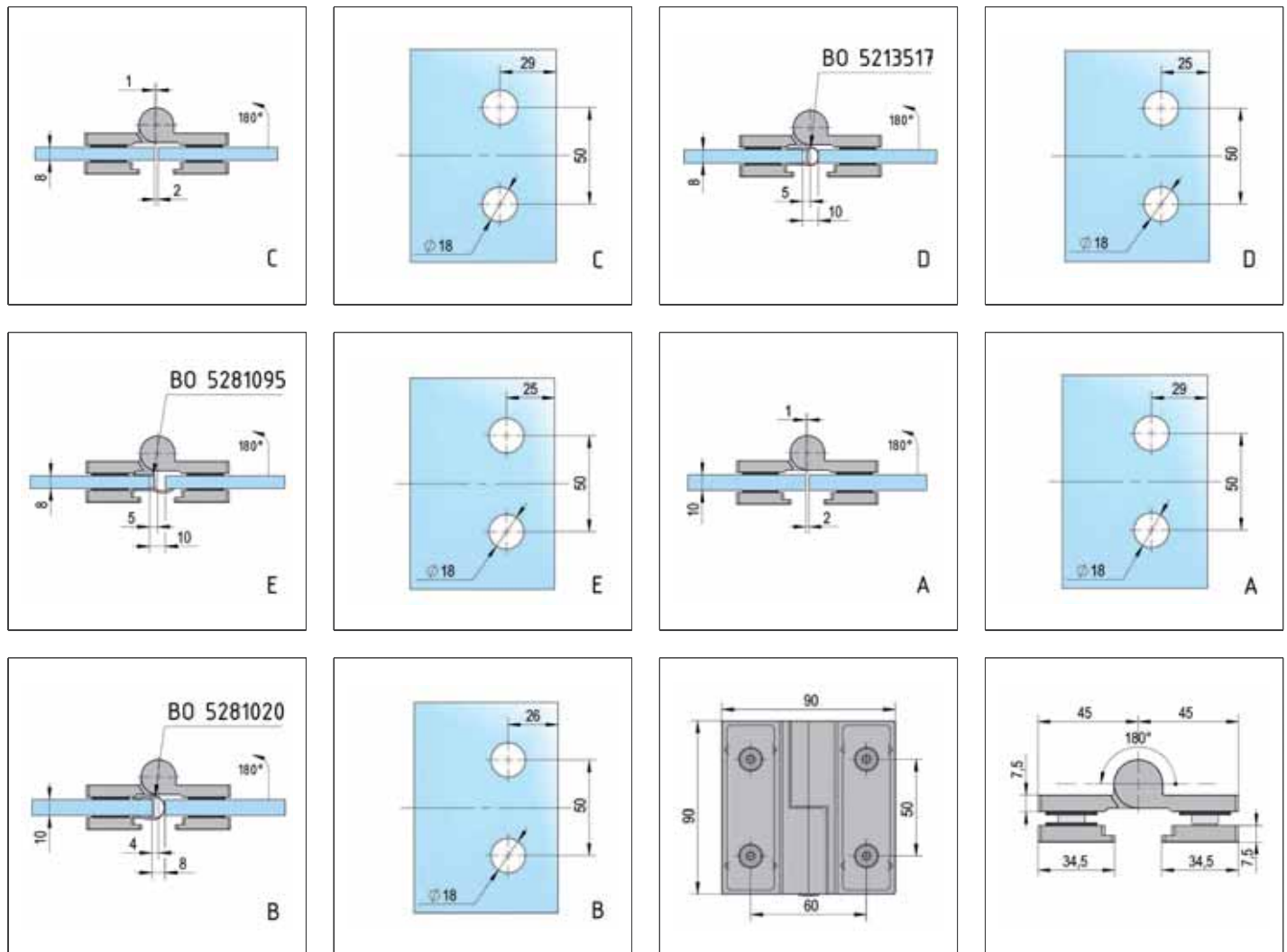
## YOUR BENEFITS

- Shower door seals can be passed through the hinge
- Stepless zero position adjustment
- Lifting-lowering mechanism with 5 mm lifting height

ART NO.	COLOUR SCHEME	OPENING DIRECTION
BO 5215532R	Chrome-plated shiny	Right
BO 5215672R	Stainless steel colour brushed matt	Right
BO 5215673R	Black matt	Right

## TECHNICAL DETAILS

- Door width: 1,000 mm
- Door height: 2,000 mm
- Max. door weight per pair: 40 kg
- Glass thickness ESG: 6 - 10 mm
- Material: Brass



## ADJUSTABLE ANGLE CONNECTOR, GLASS-GLASS/WALL 45-180°



The angle connector can be freely adjusted between 45-180° with just one screw. It can be used for glass-glass or glass-wall applications to connect a wall with a glass side panel or two fixed glass side panels at almost any angle.

### YOUR BENEFITS

- Only glass drilling required
- Can be used across all product ranges, e.g. Madrid, Arta and Santos
- Can be used as a glass-glass and glass-wall connector

### TECHNICAL DETAILS

- Mounting type: Glass-Glass, Glass-Wall
- Glass thickness ESG: 6 - 10 mm
- Angle: 45 - 180°
- Concealed wall fixings: Yes
- Material: Brass

ART NO.	COLOUR SCHEME
BO 5218459	Chrome-plated shiny
BO 5218460	Stainless steel colour brushed matt
BO 5218461	Black matt

### PLEASE NOTE

Please refer to the installation drawings and instructions. Suitable for the Madrid, Arta and Santos product ranges.

### INCLUDED IN DELIVERY

1 Piece





# Lugo FM\* shower door fittings

Lugo is an all-rounder for a wide variety of bathroom styles. Modern and timeless in design, the high-quality solid brass fittings series can be integrated into any bathroom design. The straight lines in combination with the slightly rounded edges make Lugo FM an elegant classic. All screws disappear behind a cover, ensuring a visually clear and minimalist design. The lift and lower function is particularly convenient, allowing the door fittings to close easily and silently by themselves. Lugo is therefore also ideal for use in barrier-free bathrooms.

\*FM = flush-mounted



## LUGO FM SHOWER DOOR HINGE, GLASS-WALL 90°, DIN LEFT



The flush-mounted Lugo FM shower door hinge has a load-bearing capacity of 36 kg. Doors up to max. 0.9 x 2.00 m can be achieved. With the 90° glass-wall mounting, the hinge is designed for recess showers and classic 90° corner showers.

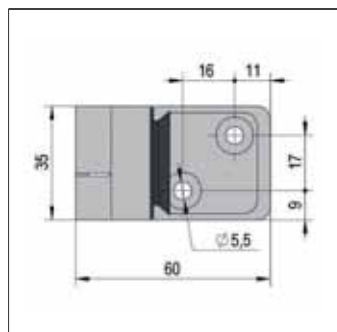
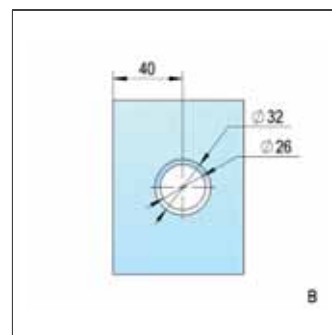
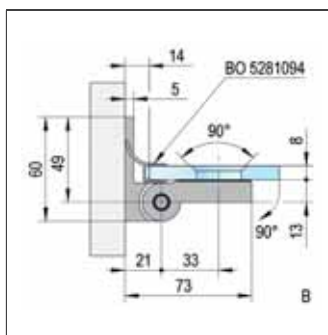
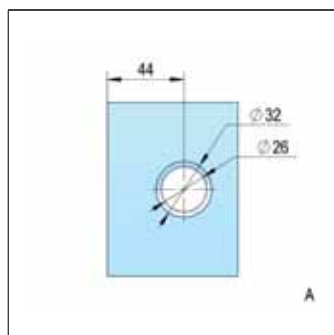
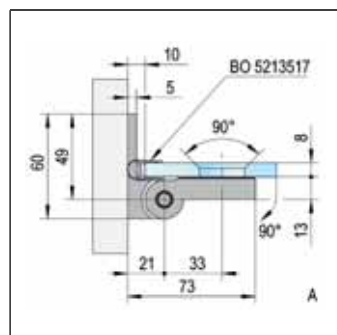
### YOUR BENEFITS

- Flush mounting
- Lifting and lowering technology with 5mm lifting height
- Concealed screws

ART NO.	COLOUR SCHEME	OPENING DIRECTION
BO 5240000	Chrome-plated shiny	Left

### TECHNICAL DETAILS

- Door width: 900 mm
- Door height: 2,000 mm
- Max. door weight per pair: 36 kg
- Glass thickness ESG: 6 - 8 mm
- Material: Brass



# LUGO FM SHOWER DOOR HINGE, GLASS-WALL 90°, DIN RIGHT



The flush-mounted Lugo FM shower door hinge has a load-bearing capacity of 36 kg. Doors up to max. 0.9 x 2.00 m can be achieved. With the 90° glass-wall mounting, the hinge is designed for recess showers and classic 90° corner showers.

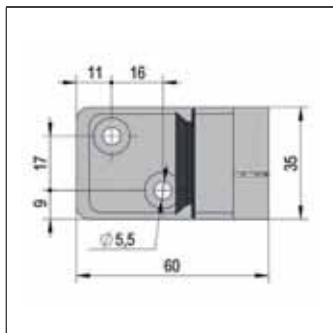
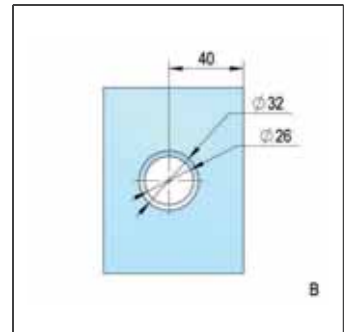
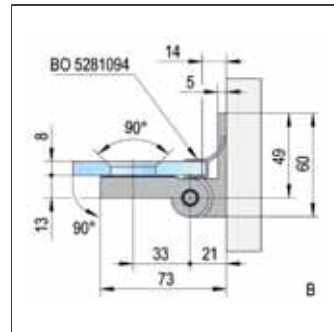
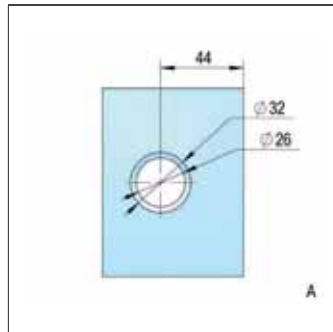
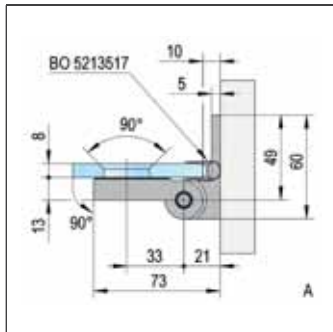
## YOUR BENEFITS

- Flush mounting
- Lifting and lowering technology with 5mm lifting height
- Concealed screws

ART NO.	COLOUR SCHEME	OPENING DIRECTION
BO 5240001	Chrome-plated shiny	Right

## TECHNICAL DETAILS

- Door width: 900 mm
- Door height: 2,000 mm
- Max. door weight per pair: 36 kg
- Glass thickness ESG: 6 - 8 mm
- Material: Brass





# LUGO FM SHOWER DOOR HINGE, GLASS-GLASS 180°, DIN LEFT

The flush-mounted Lugo FM shower door hinge has a load-bearing capacity of 36 kg. Doors up to max. 0.9 x 2.00 m can be achieved. The hinge for 180° glass-glass installation is designed for attaching a door to a fixed glass side panel. Simple glass drill holes are sufficient for this purpose.



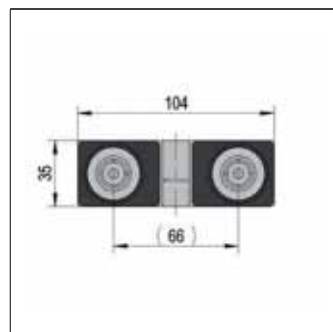
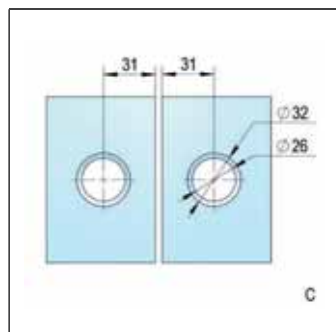
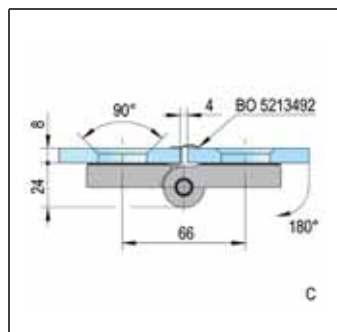
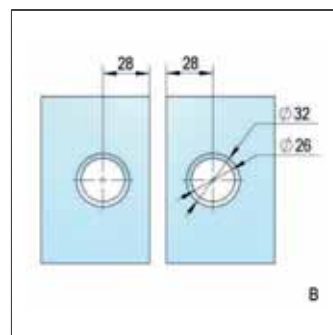
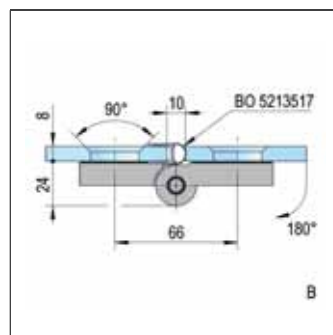
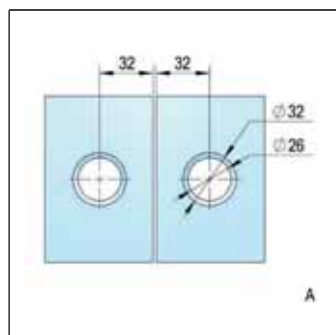
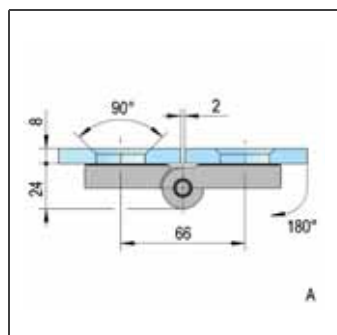
## YOUR BENEFITS

- Flush mounting
- Lifting and lowering technology with 5mm lifting height
- Concealed screws

ART NO.	COLOUR SCHEME	OPENING DIRECTION
BO 5240002	Chrome-plated shiny	Left

## TECHNICAL DETAILS

- Door width: 900 mm
- Door height: 2,000 mm
- Max. door weight per pair: 36 kg
- Glass thickness ESG: 6 - 8 mm
- Material: Brass



# LUGO FM SHOWER DOOR HINGE, GLASS-GLASS 180°, DIN RIGHT

The flush-mounted Lugo FM shower door hinge has a load-bearing capacity of 36 kg. Doors up to max. 0.9 x 2.00 m can be achieved. The hinge for 180° glass-glass installation is designed for attaching a door to a fixed glass side panel. Simple glass drill holes are sufficient for this purpose.



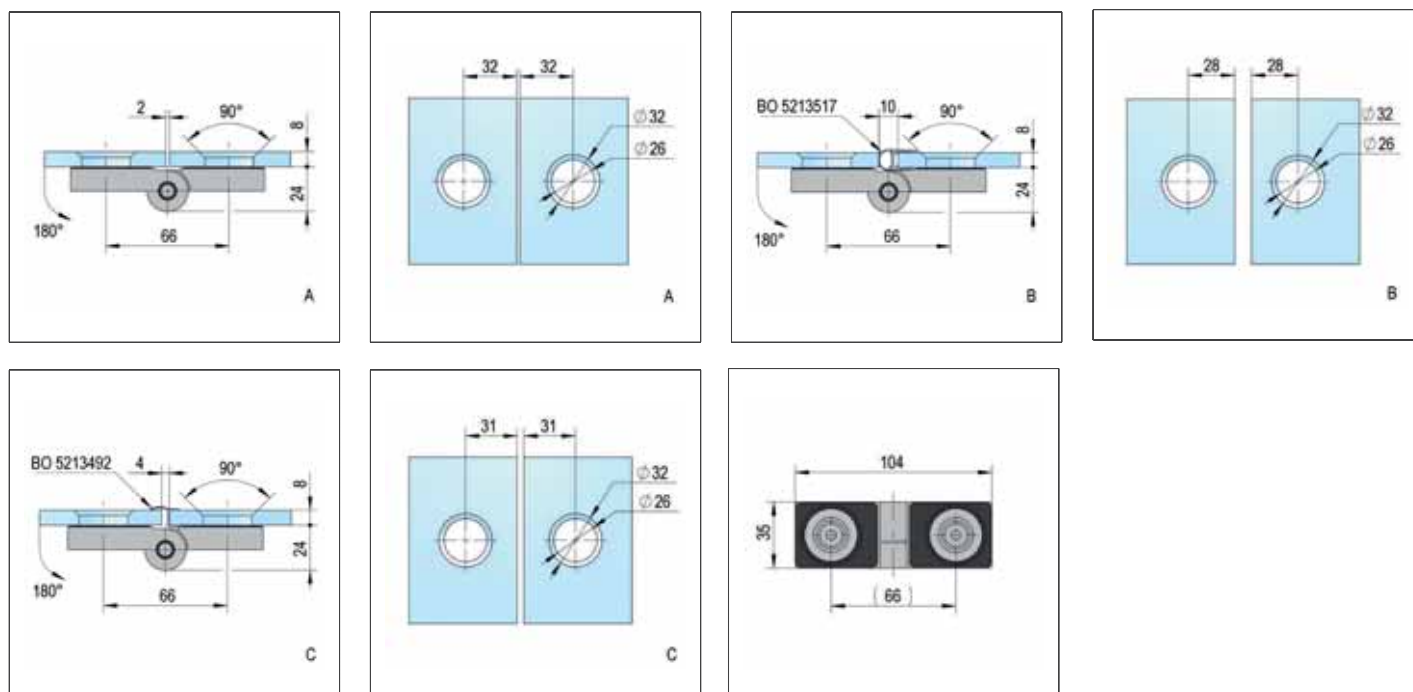
## YOUR BENEFITS

- Flush mounting
- Lifting and lowering technology with 5mm lifting height
- Concealed screws

ART NO.	COLOUR SCHEME	OPENING DIRECTION
BO 5240003	Chrome-plated shiny	Right

## TECHNICAL DETAILS

- Door width: 900 mm
- Door height: 2,000 mm
- Max. door weight per pair: 36 kg
- Glass thickness ESG: 6 - 8 mm
- Material: Brass



## LUGO FM ANGLE CONNECTOR, GLASS-WALL 90°

Lugo FM 90° glass-wall angle connector for connecting a fixed glass side panel to a wall.



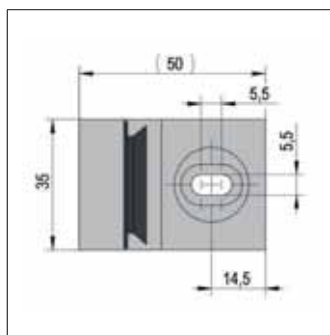
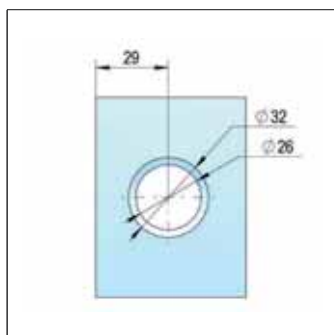
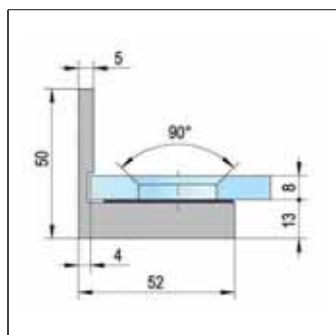
### YOUR BENEFITS

- Flush mounting
- Concealed screws

ART NO.	COLOUR SCHEME
BO 5240006	Chrome-plated shiny

### TECHNICAL DETAILS

- Mounting type: Glass-Wall
- Glass thickness ESG: 6 - 8 mm
- Angle: 90°
- Concealed wall fixings: Yes
- Material: Brass



## LUGO FM ANGLE CONNECTOR, GLASS-GLASS 90°



Lugo FM angle connector 90° glass-glass for connecting two glass side panels at right angles to each other. Only drill holes in the glass panes are required.

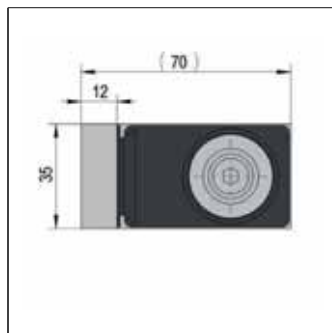
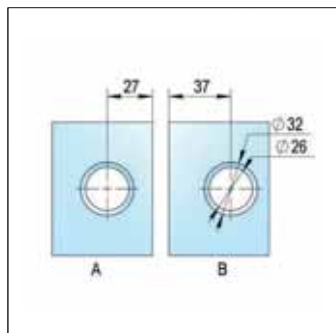
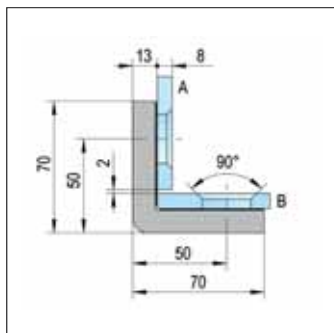
### YOUR BENEFITS

- Flush mounting
- Concealed screws
- Only glass drilling required

ART NO.	COLOUR SCHEME
BO 5240007	Chrome-plated shiny

### TECHNICAL DETAILS

- Mounting type: Glass-Glass
- Glass thickness ESG: 6 - 8 mm
- Angle: 90°
- Material: Brass
- Flush: Yes



---

# Vigo Walk-in shower

---

The Bohle Vigo walk-in shower offers a clean design for the highest demands. The glass panel is simply inserted into the support bars, which are individually adjustable and invisibly screwed between the floor and ceiling. No reinforcement bar is required. Barrier-free access and manoeuvrability on both sides. Ideal for sloping ceilings and sophisticated, open designs.



## VIGO WALK-IN SHOWER, COMPLETE SET



Vigo Walk-In shower systems, modern and barrier-free. Glass shower partitions up to 2.2 m high with a maximum ceiling height of 2.8 m can be achieved. Simple installation and cleaning make it easy to decide in favour of Vigo, which is available in two shapes and surface finishes.

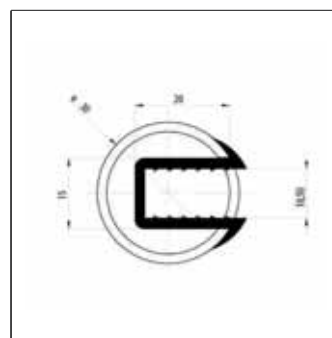
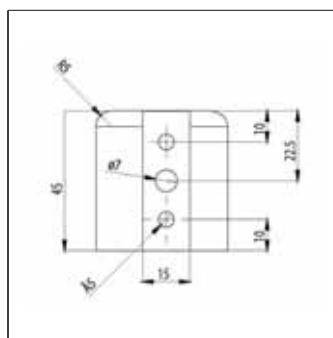
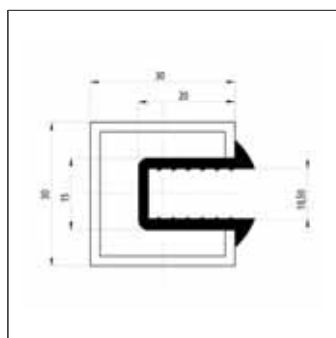
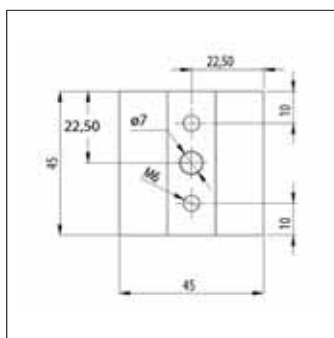
### YOUR BENEFITS

- Barrier-free
- Profile can be cut to desired length
- Protected glass edges

ART NO.	COLOUR SCHEME	SHAPE
<b>BO 5215435</b>	Stainless steel colour brushed matt	Square
<b>BO 5215437</b>	Stainless steel colour brushed matt	Round
<b>BO 5215438</b>	Stainless steel colour polished shiny	Round

### TECHNICAL DETAILS

- Glass thickness: 8 - 10 mm
- Length: 2,800 mm
- Material: Stainless steel



### INCLUDED IN DELIVERY

- 1 Piece Stainless steel profile incl. mounting accessories
- 1 Piece Rubber profile for 8 and 10 mm

## VIGO WALK-IN, FLOOR BONDING PLATE

Vigo Walk-In floor bonding plates are used instead of the standard floor plates that have to be screwed in place, so there is no need for a screw hole in the floor. Only a 5 mm safety hole a few millimetres short is required to prevent lateral movement; the sealing level remains unaffected.



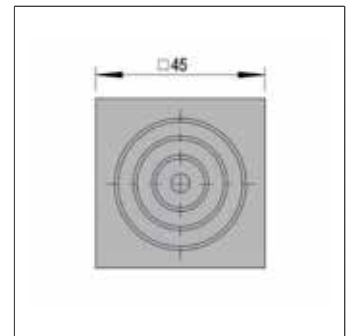
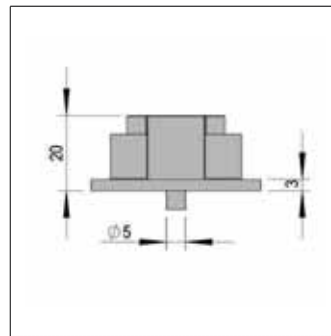
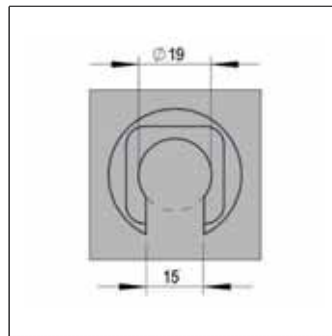
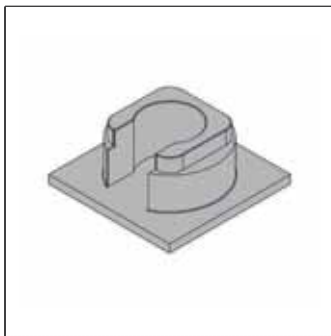
### YOUR BENEFITS

- Sealing level remains unaffected
- No screws required
- Grooves in the adhesive surface for optimum adhesive distribution

ART NO.	COLOUR SCHEME	SHAPE
BO 5215700	Stainless steel colour brushed matt	Square

### TECHNICAL DETAILS

- Width: 45 mm
- Length: 45 mm
- Material: Stainless steel



## VIGO WALK-IN, FLOOR BONDING PLATE

Vigo Walk-In floor bonding plates are used instead of the standard floor plates that have to be screwed in place, so there is no need for a screw hole in the floor. Only a 5 mm safety hole a few millimetres short is required to prevent lateral movement; the sealing level remains unaffected.



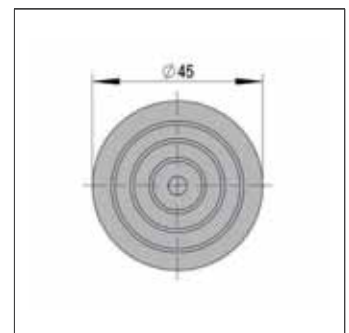
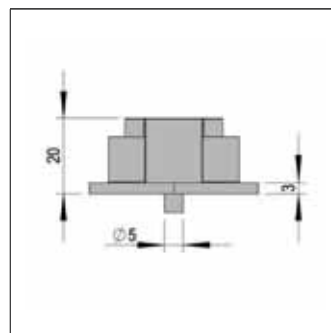
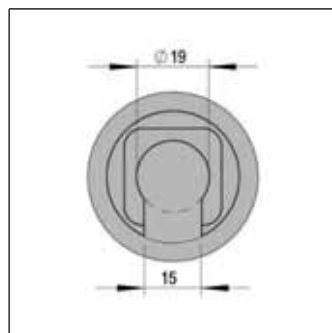
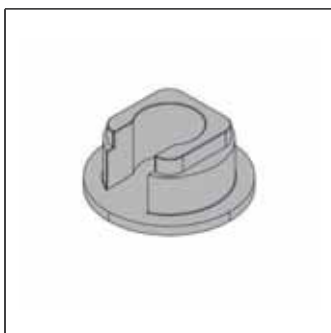
### YOUR BENEFITS

- Sealing level remains unaffected
- No screws required
- Grooves in the adhesive surface for optimum adhesive distribution

ART NO.	COLOUR SCHEME	SHAPE
BO 5215703	Stainless steel colour polished shiny	Round

### TECHNICAL DETAILS

- Diameter: 45 mm
- Material: Stainless steel





---

# MasterTrack® ST sliding shower door system

---

MasterTrack® ST is a high-tech sliding door system for showers that impresses with its minimalist, modern design, simple installation and sophisticated technology. The sliding system is equally suitable for alcove, corner and free-standing showers and can be installed barrier-free or with a discreet swing protection as required.



## MASTERTRACK® ST SLIDING DOOR SET RECESS SHOWER



Uniquely quiet running and discreet design make MasterTrack® ST the perfect partition for any shower. The MasterTrack® ST complete sets are suitable for all installation types, including spacious recesses up to 2 metres wide. Please order the glass mounting set separately to attach the running track to fixed glazing (one-sided corner solution): BO 5700045 / BO 5700046 / BO 5700061. Please also order optional retractable damping BO 5700051 and optional anti-swing protection separately: BO 5700052 / BO 5700053 / BO 5700063.

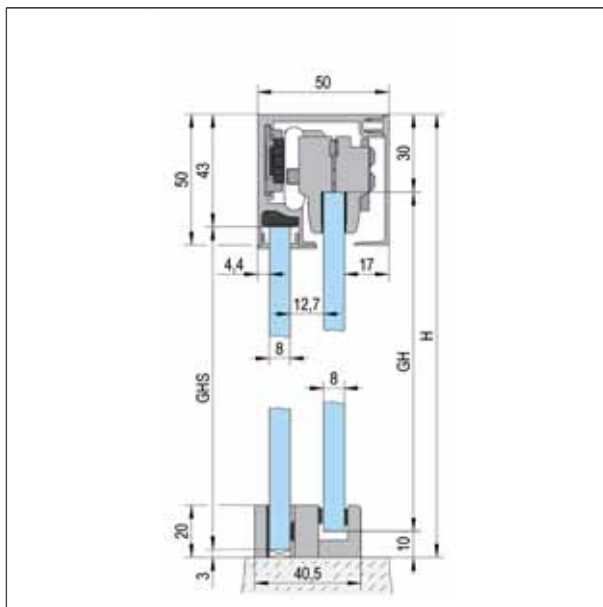
### YOUR BENEFITS

- Impressively smooth running
- No glass processing, such as drilling, required
- Ideal power transmission and safe lift-out protection

### TECHNICAL DETAILS

- Mounting type: Recess solution
- Material: Aluminium
- Door weight max.: 40 kg
- Glass thickness ESG door wing: 8 mm
- Glass thickness ESG fixed part: 8 mm

ART NO.	COLOUR SCHEME	LENGTH
BO 5741543	Aluminium colour C0 polished E8 polished and chemically polished	1,200 mm
BO 5741541	Aluminium colour C0 anodised E6, stained matt	1,200 mm
BO 5741542	Black C35 anodised E6, stained matt	1,200 mm
BO 5742043	Aluminium colour C0 polished E8 polished and chemically polished	2,000 mm
BO 5742041	Aluminium colour C0 anodised E6, stained matt	2,000 mm
BO 5742042	Black C35 anodised E6, stained matt	2,000 mm



### INCLUDED IN DELIVERY

- 1 Piece Running track
- 1 Piece Cover
- 1 Piece Cover strip for fixed sidelight channel
- 1 Piece Clamping seal for fixed sidelight
- 2 Pieces Wall bracket
- 2 Pieces Carriage
- 2 Pieces Stopper
- 1 Piece Floor guide

### PLEASE NOTE

Connection profiles for fixed glazing, threshold, pull-in damper and seals for door not included.

# MASTERTRACK® ST SLIDING DOOR SET CORNER SHOWER



Impressively smooth running and discreet design make MasterTrack® ST the perfect partition for any shower. The MasterTrack® ST complete sets are suitable for all installation types. Please also order optional pull-in damper BO 5700051 and optional swing guard separately: BO 5700052 / BO 5700053 / BO 5700063.

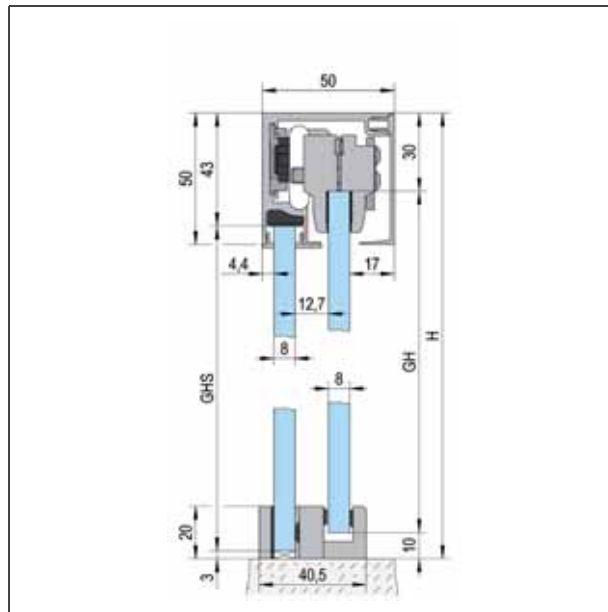
## YOUR BENEFITS

- Impressively smooth running
- No glass processing, such as drilling, required
- Ideal power transmission and safe lift-out protection

## TECHNICAL DETAILS

- Mounting type: Corner solution
- Material: Aluminium
- Door weight max.: 40 kg
- Glass thickness ESG door wing: 8 mm
- Glass thickness ESG fixed part: 8 mm

ART NO.	COLOUR SCHEME	LENGTH
BO 5741053	Aluminium colour C0 polished E8 polished and chemically polished	2,000 mm
BO 5741051	Aluminium colour C0 anodised E6, stained matt	2,000 mm
BO 5741052	Black C35 anodised E6, stained matt	2,000 mm



## INCLUDED IN DELIVERY

- 1 Piece Running track
- 1 Piece Corner connector for top track
- 1 Piece Cover
- 1 Piece Cover strip for fixed glazing channel
- 1 Piece Clamping seal for fixed glazing
- 2 Pieces Wall bracket
- 4 Pieces Carriage
- 4 Pieces Stopper
- 2 Pieces Floor guide
- 1 Piece Corner connector for optional threshold

## PLEASE NOTE

Connection profiles for fixed glazing, threshold, pull-in damper and seals for door not included.

---

## MASTERTRACK® ST RETRACTABLE DAMPER

---

Optional MasterTrack® ST retractable dampers for retrofitting.



---

### ART NO.

BO 5700051

---

### INCLUDED IN DELIVERY

1 Piece Retractable damper  
1 Piece Release bolt

### TECHNICAL DETAILS

- Door weight max.: 40 kg
- Minimum door width one-sided damping: 400 mm
- Minimum door width double-sided damping: 600 mm

---

## MASTERTRACK® ST CARRIAGE PAIR

---

MasterTrack® ST pair of carriages for one door. The castors are characterised by their unique smooth running and their easy height adjustment.



### YOUR BENEFITS

- Uniquely smooth running
- Simple height adjustment

---

### ART NO.

BO 5700049

---

### INCLUDED IN DELIVERY

1 Pair Carriage

### TECHNICAL DETAILS

- Door weight max.: 40 kg
- Glass thickness ESG door wing: 8 mm

---

## MASTERTRACK® ST STOPPER

---

MasterTrack® ST stopper for use without damper or additional safety.



---

### ART NO.

BO 5700050

---

### INCLUDED IN DELIVERY

2 Pieces Stopper

## MASTERTRACK® ST FLOOR GUIDE



The two-part MasterTrack® ST floor guide enables easy installation of the door and can be prepared for the application with optional anti-swing protection by means of exchangeable insert pieces. It is fixed to the fixed glazing by clamping.

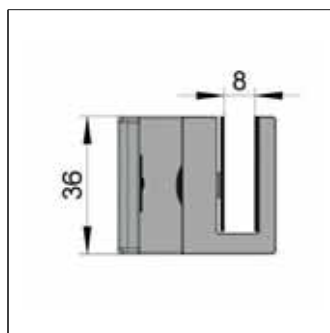
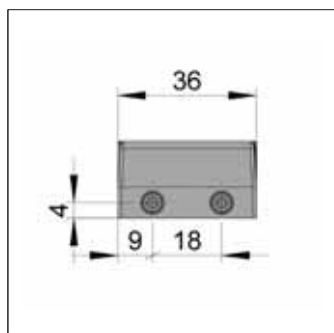
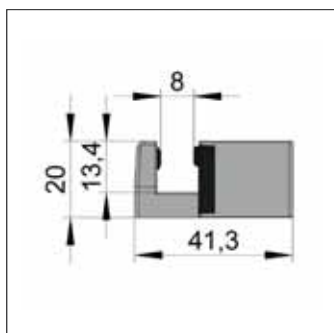
### YOUR BENEFITS

- Two-part floor guide suitable for a single door
- The floor guide is adjustable

ART NO.	COLOUR SCHEME
BO 5700057	Aluminium colour C0 polished E8 polished and chemically polished
BO 5700056	Aluminium colour C0 anodised E6, stained matt
BO 5700065	Black C35 anodised E6, stained matt

### TECHNICAL DETAILS

- Material: Aluminium
- Glass thickness ESG: 8 mm



## MASTERTRACK® ST GLAZING BLOCKS ACCESSORY SET

Accessory set with various plastic glazing blocks for mounting one door with MasterTrack® ST.



ART NO.
BO 5700058

### PLEASE NOTE

For double-leaf shower enclosures, please order twice.

### INCLUDED IN DELIVERY

- 1 Set Inserts for floor guide
- 1 Piece Support block for running rail

## MASTERTRACK® ST PROFILE SET

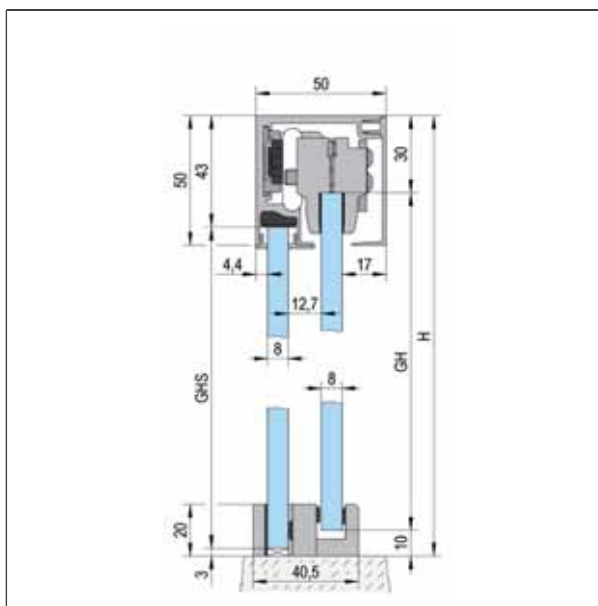


Uniquely quiet and discreet design makes MasterTrack® ST the perfect partition for any shower. The system is suitable for all installation types, including spacious recess applications up to 2 metres wide. The patented retraction dampers ensure that the door closes reliably and gently.

### TECHNICAL DETAILS

- Material: Aluminium
- Glass thickness ESG fixed part: 8 mm

ART NO.	COLOUR SCHEME	LENGTH
<b>BO 5700041</b>	Aluminium colour C0 polished E8 polished and chemically polished	1,200 mm
<b>BO 5700040</b>	Aluminium colour C0 anodised E6, stained matt	1,200 mm
<b>BO 5700059</b>	Black C35 anodised E6, stained matt	1,200 mm
<b>BO 5700043</b>	Aluminium colour C0 polished E8 polished and chemically polished	2,000 mm
<b>BO 5700042</b>	Aluminium colour C0 anodised E6, stained matt	2,000 mm
<b>BO 5700060</b>	Black C35 anodised E6, stained matt	2,000 mm



### INCLUDED IN DELIVERY

- 1 Piece Running track
- 1 Piece Cover
- 1 Piece Cover profile for fixed glazing channel
- 1 Piece Clamp seal for fixed glazing

### PLEASE NOTE

For recess showers up to 2000 mm total width / For corner and U-showers up to 1500 x 1500 mm.

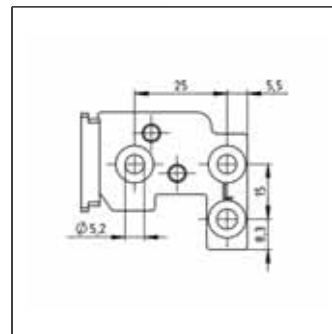
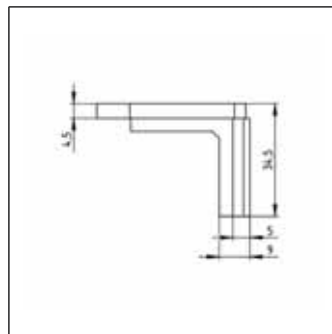
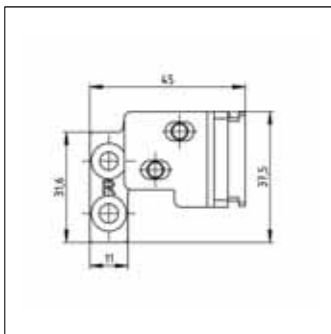
## MASTERTRACK® ST WALL MOUNTING SET

The MasterTrack® ST wall mounting set enables the front side of the track to be fixed to a wall.



**ART NO.**

**BO 5700044**



### INCLUDED IN DELIVERY

- 1 Piece Wall mounting bracket left
- 1 Piece Wall mounting bracket right

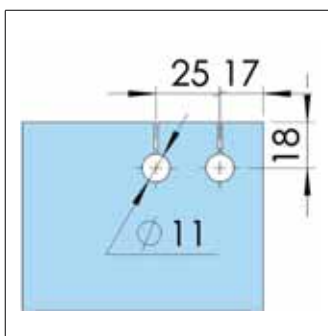
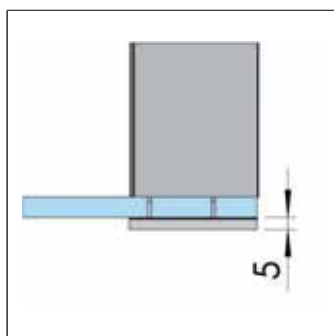
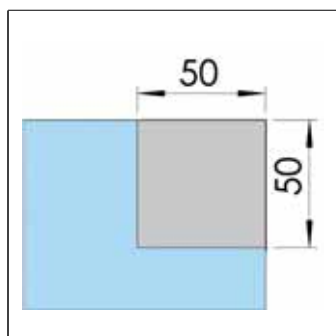


## MASTERTRACK® ST MOUNTING SET GLASS

The optional MasterTrack® ST Glass Mounting Set allows the track to be mounted on one or both sides of fixed glazing instead of a wall. This enables the installation of single-sided corner showers or U-showers.



ART NO.	COLOUR SCHEME
BO 5700046	Aluminium colour C0 polished E8 polished and chemically polished
BO 5700045	Aluminium colour C0 anodised E6, stained matt
BO 5700061	Black C35 anodised E6, stained matt



### INCLUDED IN DELIVERY

- 1 Piece Glass mounting adapter left
- 1 Piece Glass mounting adapter right
- 2 Pieces End caps for optional threshold

### PLEASE NOTE

For fastening the top track to a fixed glazing (one-sided corner solution / U-shower).

## MASTERTRACK® ST CORNER CONNECTOR FOR RUNNING TRACK

The MasterTrack® ST corner connector for the running track connects two running track sections at 90° for a double-door corner shower.



### YOUR BENEFITS

- Simple clamping of the corner connector in the running track

ART NO.	COLOUR SCHEME
BO 5700048	Aluminium colour C0 polished E8 polished and chemically polished
BO 5700047	Aluminium colour C0 anodised E6, stained matt
BO 5700062	Black C35 anodised E6, stained matt

### TECHNICAL DETAILS

- Material: Aluminium

## MASTERTRACK® ST THRESHOLD



The optional threshold for MasterTrack® ST reduces possible water leakage under the closed door. The replaceable inserts on the floor guide allow the threshold to be fitted easily and flush.

### YOUR BENEFITS

- Simple connection to the floor guide possible
- Reduced water leakage under the door

ART NO.	COLOUR SCHEME
BO 5700053	Aluminium colour C0 polished E8 polished and chemically polished
BO 5700052	Aluminium colour C0 anodised E6, stained matt
BO 5700063	Black C35 anodised E6, stained matt

### TECHNICAL DETAILS

- Material: Aluminium
- Width: 10 mm
- Height: 20 mm
- Length: 1,000 mm

## MASTERTRACK® ST CORNER CONNECTOR FOR THRESHOLD



The MasterTrack® ST corner connector for the threshold connects two optional threshold sections at 90° for a double-door corner shower.

ART NO.	COLOUR SCHEME
BO 5700055	Aluminium colour C0 polished E8 polished and chemically polished
BO 5700054	Aluminium colour C0 anodised E6, stained matt
BO 5700064	Black C35 anodised E6, stained matt

### TECHNICAL DETAILS

- Material: Aluminium

---

# Shower accessories

---

Reinforcement bars	169
Shower door knobs and handles and towel rails	190
Door stops	202
Shower door seals	207
Glazing profiles	227

---

# Reinforcement bars

---

Round or square, can be shortened to any size, with adjustable wall and glass connections: Our reinforcement bars for shower walls can be easily and perfectly aligned. Many parts are also available from us individually so that you can customise the system to your property. You also have a choice of colours.



## REINFORCEMENT BAR SET ROUND 12, GLASS-WALL

Reinforcement bar set Round 12 is used to connect a fixed glass side panel to a wall. The glass connector is clamped onto the upper glass edge and, like the wall connector, is freely adjustable in angle.

### YOUR BENEFITS

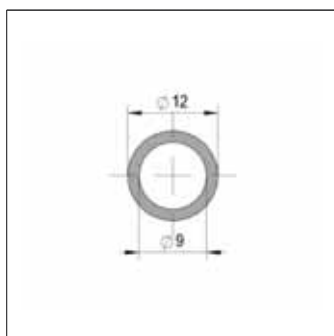
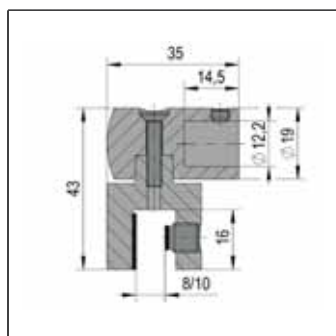
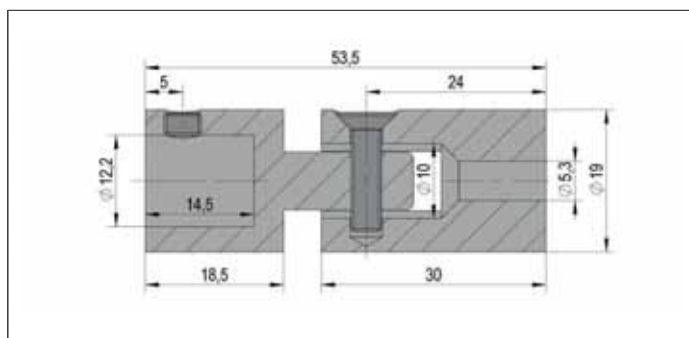
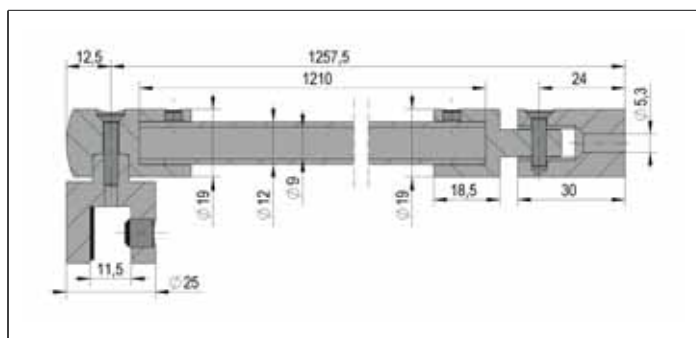
- No glass processing required
- Small unobtrusive design
- Reinforcement bar can be cut to desired length



ART NO.	COLOUR SCHEME	LENGTH	ADJUSTABLE
BO 5420165	Chrome-plated shiny	1,210 mm	Yes
BO 5420209	Stainless steel colour brushed matt	1,210 mm	Yes
BO 5420165B	Black matt	1,210 mm	Yes

### TECHNICAL DETAILS

- Mounting type: Glass-Wall
- Glass thickness ESG: 8 - 10 mm
- Material: Brass
- Diameter: 12 mm



### INCLUDED IN DELIVERY

- 1 Piece Reinforcement bar
- 1 Piece Adjustable glass connector
- 1 Piece Adjustable wall connector

## REINFORCEMENT BAR ROUND 12



Reinforcement bar suitable for the Round 12 series, for individual compilation of a set.

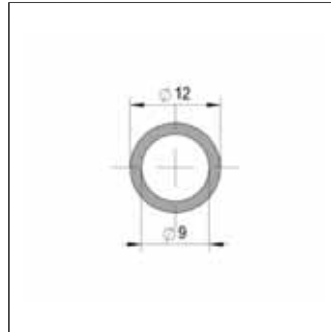
### YOUR BENEFITS

- Individual composition of a set from components possible
- Small unobtrusive design

ART NO.	COLOUR SCHEME	LENGTH
BO 5420067	Chrome-plated shiny	1,210 mm

### TECHNICAL DETAILS

- Product range: Round 12
- Material: Brass
- Diameter: 12 mm



## WALL CONNECTION ROUND 12, ADJUSTABLE

Adjustable wall connector for connecting the Round 12 reinforcement bar to a fixed wall. Its two-part construction allows infinitely variable angle adjustment.

### YOUR BENEFITS

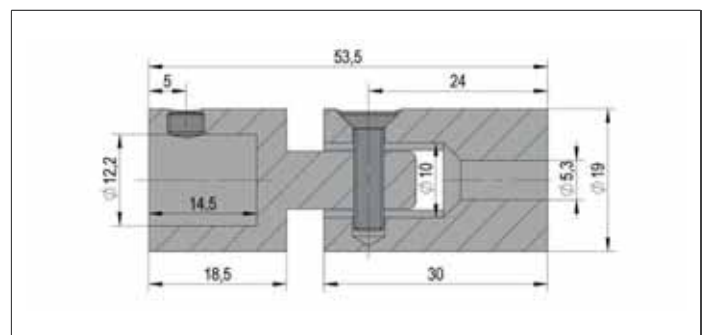
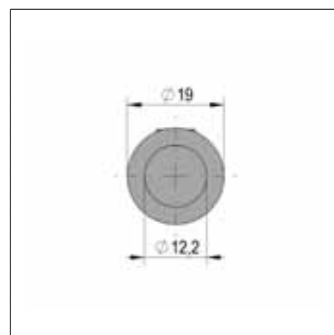
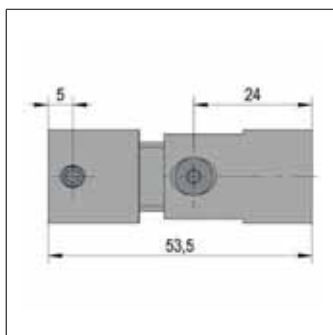
- Small unobtrusive design
- Stepless angle adjustment



ART NO.	COLOUR SCHEME	ANGLE	ADJUSTABLE
BO 5420108	Chrome-plated shiny	0 - 90°	Yes

### TECHNICAL DETAILS

- Product range: Round 12
- Material: Brass
- Diameter: 12 mm



## WALL CONNECTOR ROUND 12

90° wall connector for connecting the Round 12 reinforcement bar to a fixed wall. This connector has a slotted hole to accommodate the fixing screw and can be perfectly aligned in its position.

### YOUR BENEFITS

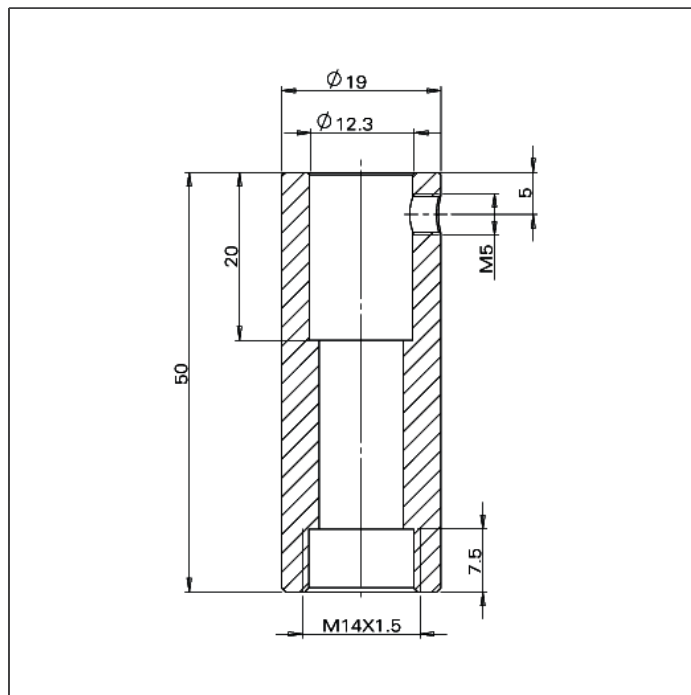
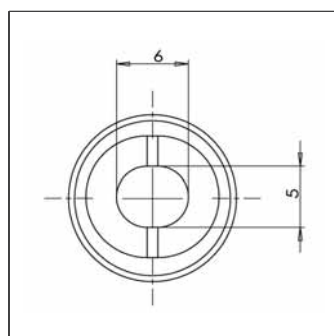
- Small unobtrusive design
- Slot adjustment



ART NO.	COLOUR SCHEME	ANGLE	ADJUSTABLE
BO 5420064	Chrome-plated shiny	90°	No

### TECHNICAL DETAILS

- Product range: Round 12
- Material: Brass
- Diameter: 12 mm



## THREE-POINT CONNECTOR ROUND 12

Three-point connector Round 12 for creating a 90° branch on a reinforcement bar to hold two fixed side panels with just one reinforcement.

### YOUR BENEFITS

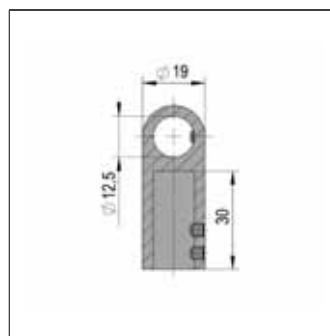
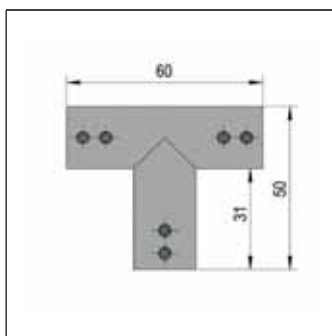
- Concealed screws
- Small, unobtrusive design
- Can be freely positioned along the length of the reinforcement bar



ART NO.	COLOUR SCHEME	ANGLE	ADJUSTABLE
BO 5420069	Chrome-plated shiny	90°	No

### TECHNICAL DETAILS

- Product range: Round 12
- Material: Brass
- Diameter: 12 mm



## GLASS CONNECTOR ROUND 12



Glass connector suitable for the Round 12 reinforcement bar, serves to connect a fixed glass side panel with a reinforcement bar. This glass connector is clamped onto the upper glass edge and is freely adjustable in angle.

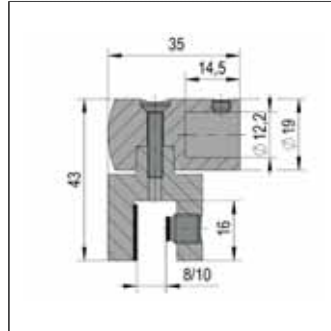
### YOUR BENEFITS

- Stepless angle adjustment
- No glass processing required
- Small unobtrusive design

ART NO.	COLOUR SCHEME	ANGLE	ADJUSTABLE
BO 5420066	Chrome-plated shiny	0 - 90°	Yes

### TECHNICAL DETAILS

- Product range: Round 12
- Glass thickness ESG: 8 - 10 mm
- Material: Brass
- Diameter: 12 mm
- Glass processing required: No



## GLASS CONNECTOR ROUND 12, FOR GLASS HOLE

Glass connector suitable for the Round 12 reinforcement bar, used to connect a fixed glass side panel with a Round 12 reinforcement bar. This glass connector is not clamped onto the glass edge as usual, but requires a 12 mm hole in the glass side panel.

### YOUR BENEFITS

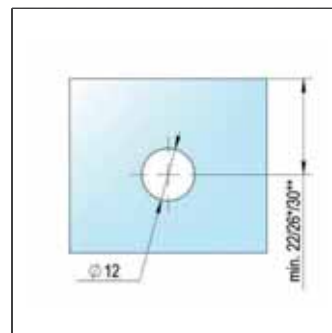
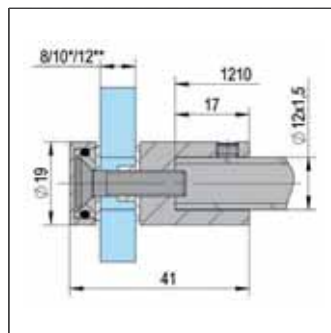
- Only glass drill holes required
- Small, unobtrusive design
- No annoying clamp on the glass edge

ART NO.	COLOUR SCHEME	ANGLE	ADJUSTABLE
BO 5213678	Chrome-plated shiny	90°	No



### TECHNICAL DETAILS

- Product range: Round 12
- Glass thickness ESG: 8 - 12 mm
- Material: Brass
- Diameter: 12 mm
- Glass processing required: Yes





## REINFORCEMENT BAR SET ROUND 19, GLASS-WALL 90°

Reinforcement bar set Round 19 is used to connect a fixed glass side panel to a wall. The glass connector is clamped onto the upper glass edge and is freely adjustable in angle. The wall connector is rigid.

### YOUR BENEFITS

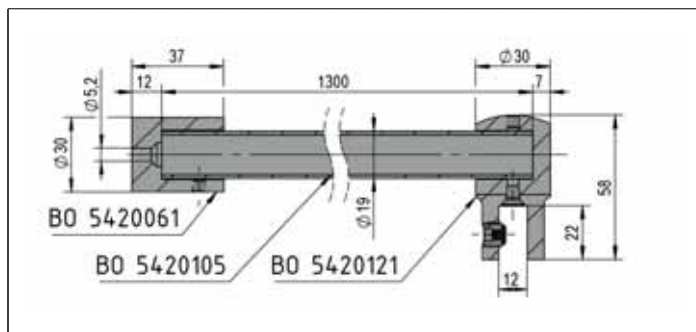
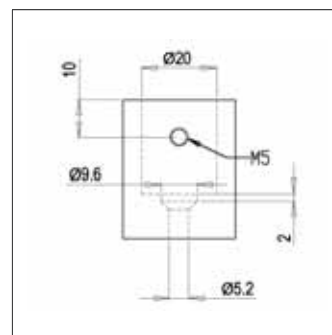
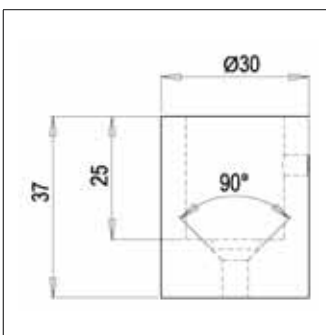
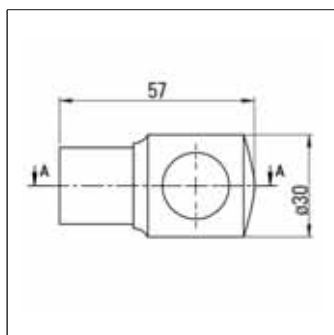
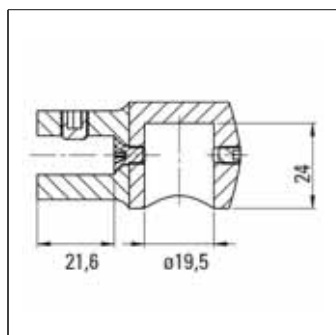
- No glass processing required
- Reinforcement bar can be cut to desired length
- Glass connector angle adjustable



ART NO.	COLOUR SCHEME	LENGTH	ADJUSTABLE
BO 5420267	Chrome-plated shiny	1,300 mm	Yes

### TECHNICAL DETAILS

- Mounting type: Glass-Wall
- Mounting bracket: 90°
- Glass thickness ESG: 6 - 10 mm
- Material: Brass
- Diameter: 19 mm



### INCLUDED IN DELIVERY

- 1 Piece Reinforcement bar
- 1 Piece Adjustable glass connector
- 1 Piece Rigid wall connector

## REINFORCEMENT BAR SET ROUND 19, GLASS-WALL 45°

Reinforcement bar set Round 19 is used to connect a fixed glass side panel to a wall. The glass connector is clamped onto the upper glass edge and is freely adjustable in angle. The 45° wall connection is rigid.

### YOUR BENEFITS

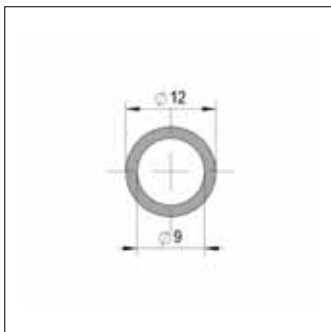
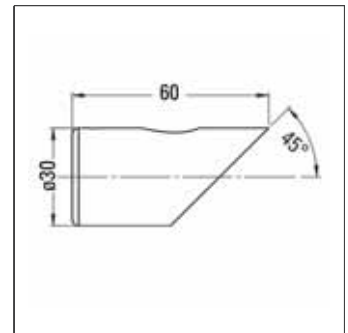
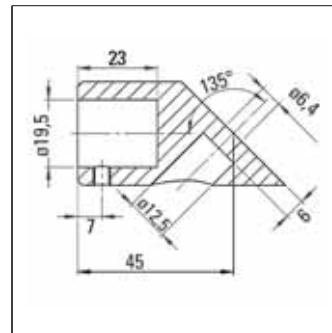
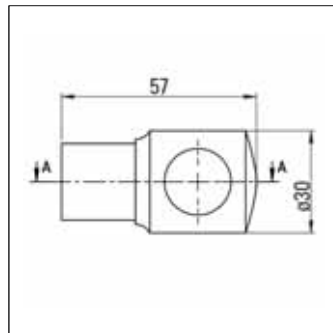
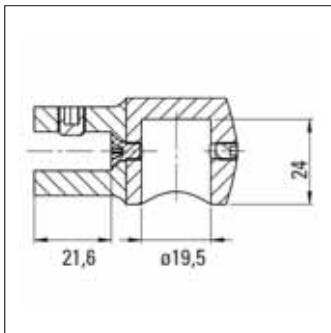
- No glass processing required
- Reinforcement bar can be cut to desired length
- Glass connector angle adjustable



ART NO.	COLOUR SCHEME	LENGTH	ADJUSTABLE
BO 5420208	Chrome-plated shiny	1,000 mm	Yes

### TECHNICAL DETAILS

- Mounting type: Glass-Wall
- Mounting bracket: 45°
- Glass thickness ESG: 6 - 10 mm
- Material: Brass
- Diameter: 19 mm



### INCLUDED IN DELIVERY

- 1 Piece Reinforcement bar
- 1 Piece Adjustable glass connector
- 1 Piece Rigid wall connector

## REINFORCEMENT BAR SET ROUND 19, GLASS-WALL 90°

Reinforcement bar set Round 19 is used to connect a fixed glass side panel to a wall. The glass connection is clamped onto the upper glass edge and is freely adjustable in angle. The wall connection is adjustable.



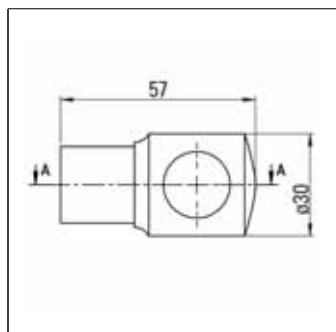
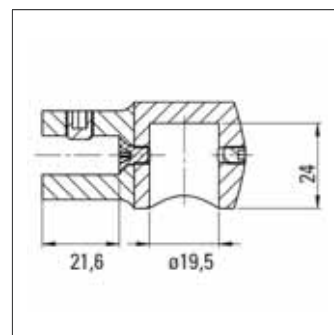
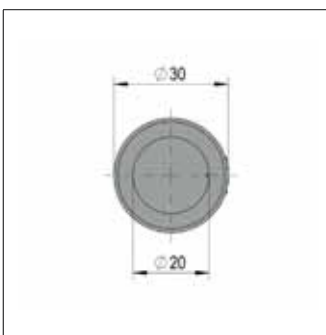
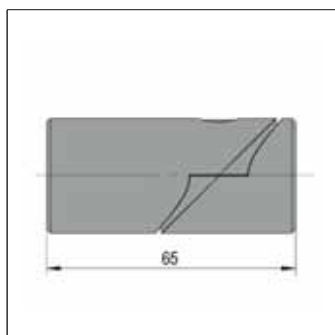
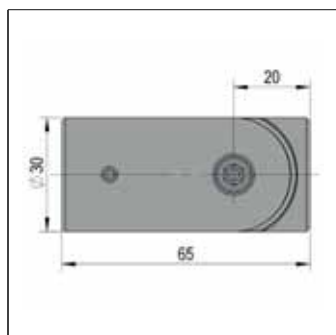
### YOUR BENEFITS

- No glass processing required
- Reinforcement bar can be shortened to desired length
- Angle-adjustable glass connection

ART NO.	COLOUR SCHEME	LENGTH	ADJUSTABLE
BO 5420268	Chrome-plated shiny	1,300 mm	Yes

### TECHNICAL DETAILS

- Mounting type: Glass-Wall
- Mounting bracket: 90°
- Glass thickness ESG: 8 - 10 mm
- Material: Brass
- Diameter: 19 mm



### INCLUDED IN DELIVERY

- 1 Piece Reinforcement bar
- 1 Piece Adjustable glass connection
- 1 Piece Adjustable wall connection

## TELESCOPIC REINFORCEMENT BAR SET ROUND 19, GLASS-WALL 90°

The set is used to connect a fixed glass side panel to a wall. There is no need to use a saw, as the reinforcement bar is freely adjustable over a wide range of lengths.

### YOUR BENEFITS

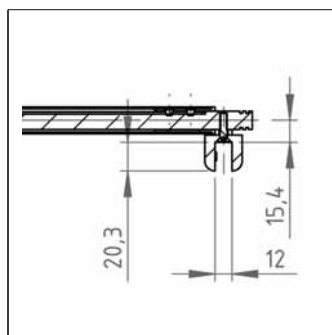
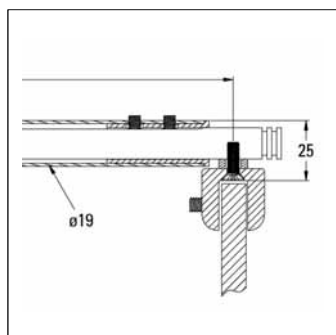
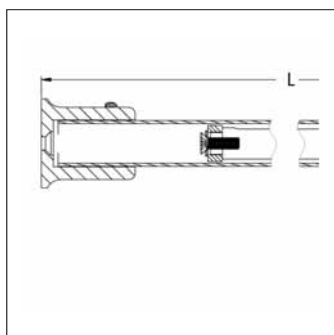
- Adjustable glass connector
- Telescopic reinforcement bar
- No glass processing required



ART NO.	COLOUR SCHEME	TELESCOPIC	ADJUSTABLE
BO 5420215	Chrome-plated shiny	1,000 - 1,150 mm	Yes
BO 5420211	Chrome-plated shiny	820 - 1,000 mm	Yes

### TECHNICAL DETAILS

- Mounting type: Glass-Wall
- Mounting bracket: 90°
- Glass thickness ESG: 6 - 10 mm
- Material: Brass
- Diameter: 19 mm



### INCLUDED IN DELIVERY

- 1 Piece Reinforcement bar
- 1 Piece Adjustable glass connector
- 1 Piece Rigid wall connector

## REINFORCEMENT BAR ROUND 19

Reinforcement bar suitable for the Round 19 series, for individual composition of a set.

### YOUR BENEFITS

- Individual composition of a set from components possible
- Many different lengths possible
- Reinforcement bar can be shortened individually



ART NO.	COLOUR SCHEME	LENGTH
BO 5420101	Chrome-plated shiny	1,000 mm
BO 5420105	Chrome-plated shiny	1,300 mm
BO 5420107	Chrome-plated shiny	1,800 mm
BO 5420003	Stainless steel colour brushed matt	1,000 mm
BO 5420007	Stainless steel colour brushed matt	1,300 mm

### TECHNICAL DETAILS

- Product range: Round 19
- Material: Brass
- Diameter: 19 mm

## WALL CONNECTION ROUND 19, ADJUSTABLE

Adjustable wall connector for connecting the Round 19 reinforcement bar to a fixed wall. Its two-part design allows infinitely variable angle adjustment.

### YOUR BENEFITS

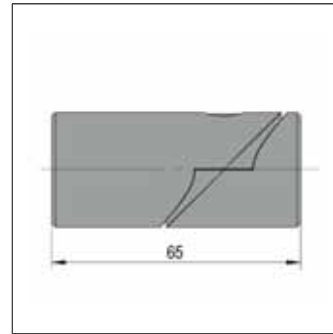
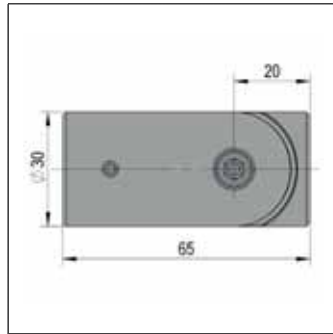
- Small unobtrusive design
- Stepless angle adjustment



### TECHNICAL DETAILS

- Product range: Round 19
- Material: Brass
- Diameter: 19 mm

ART NO.	COLOUR SCHEME	ANGLE	ADJUSTABLE
BO 5420014	Chrome-plated shiny	0 - 90°	Yes



## WALL CONNECTOR ROUND 19

90° wall connector for connecting the Round 19 reinforcement bar to a fixed wall.

### YOUR BENEFITS

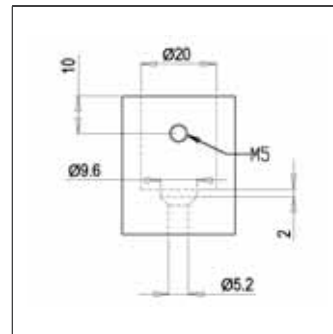
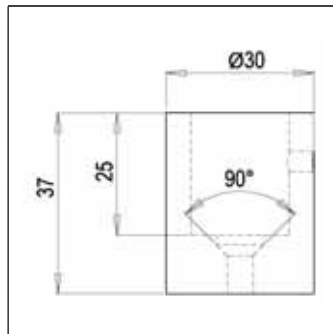
- Small unobtrusive design



### TECHNICAL DETAILS

- Product range: Round 19
- Material: Brass
- Diameter: 19 mm

ART NO.	COLOUR SCHEME	ANGLE	ADJUSTABLE
BO 5420061	Chrome-plated shiny	90°	No



## GLASS CONNECTOR ROUND 19, WITH THROUGH-HOLE

Glass connector with through-hole for sliding onto a reinforcement bar. This is clamped onto the upper edge of the fixed glass side panel, can be freely positioned along the length of the reinforcement bar and is infinitely adjustable in angle.



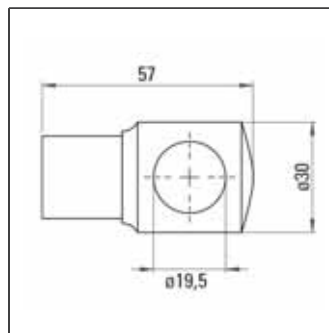
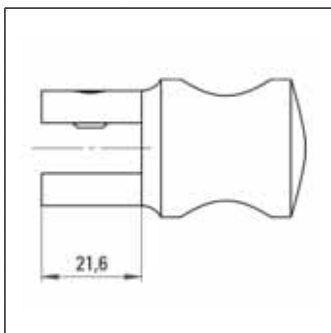
### YOUR BENEFITS

- Stepless angle adjustment
- No glass processing required

ART NO.	COLOUR SCHEME	ANGLE	ADJUSTABLE
BO 5420125	Chrome-plated shiny	0 - 360°	Yes

### TECHNICAL DETAILS

- Product range: Round 19
- Glass thickness ESG: 6 - 10 mm
- Material: Brass
- Diameter: 19 mm
- Glass processing required: No



## GLASS CONNECTOR ROUND 19, HIGH VERSION, WITH THROUGH-HOLE

Glass connector with through-hole for sliding onto a reinforcement bar. This is clamped onto the upper edge of the fixed glass side panel, can be freely positioned along the length of the reinforcement bar and is infinitely adjustable in angle.



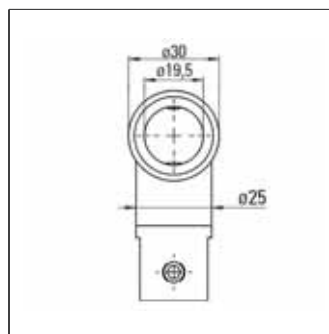
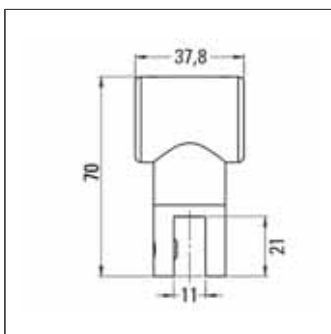
### YOUR BENEFITS

- Stepless angle adjustment
- No glass processing required

ART NO.	COLOUR SCHEME	ANGLE	ADJUSTABLE
BO 5420135	Chrome-plated shiny	0 - 360°	Yes

### TECHNICAL DETAILS

- Product range: Round 19
- Glass thickness ESG: 6 - 10 mm
- Material: Brass
- Diameter: 19 mm
- Glass processing required: No



## GLASS CONNECTOR ROUND 19, CEILING CONNECTION

Glass connector for connecting a fixed glass side panel to the ceiling, suitable for the Round 19 series.

### YOUR BENEFITS

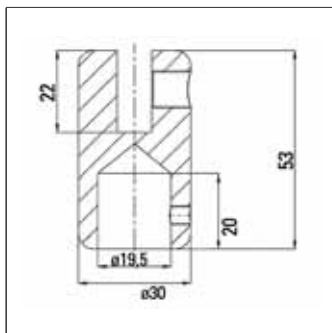
- No glass processing required
- No reinforcement bar in the area of the shower head



ART NO.	COLOUR SCHEME	GLASS THICKNESS ESG	ADJUSTABLE
BO 5420051	Chrome-plated shiny	6 - 8 mm	No
BO 5420055	Chrome-plated shiny	10 - 12 mm	No

### TECHNICAL DETAILS

- Product range: Round 19
- Material: Brass
- Diameter: 19 mm
- Angle: 180°
- Glass processing required: No



## TRIANGULAR CONNECTOR ROUND 19, WITH GLASS CONNECTION, ADJUSTABLE

Three-point connector with glass connector Round 19 for creating a 90° branch on a reinforcement bar. The integrated glass connector enables connection to another fixed side panel.



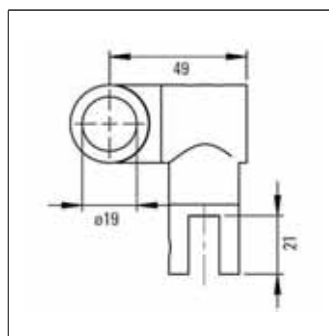
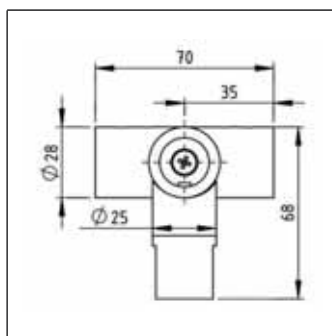
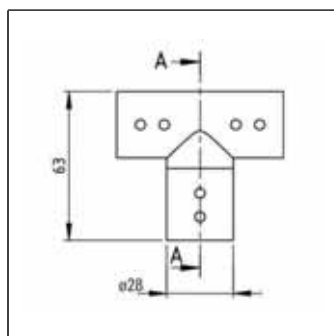
### YOUR BENEFITS

- Can be freely positioned along the length of the reinforcement bar
- Integrated glass holder
- Infinitely adjustable angle

ART NO.	COLOUR SCHEME	ANGLE	ADJUSTABLE
BO 5420151	Chrome-plated shiny	0 - 360°	Yes

### TECHNICAL DETAILS

- Product range: Round 19
- Glass thickness ESG: 6 - 10 mm
- Material: Brass
- Diameter: 19 mm



## THREE-POINT CONNECTOR ROUND 19

Three-point connector Round 19 for creating a 90° branch on a reinforcement bar, for example to hold 2 fixed side panels with just one reinforcement bar.



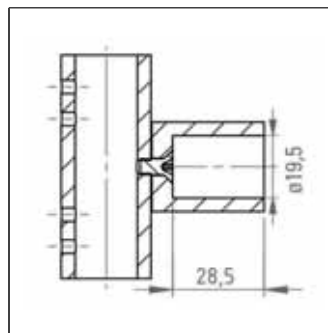
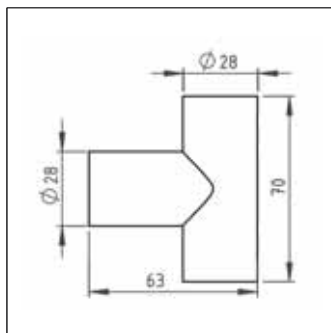
### YOUR BENEFITS

- Concealed screws
- Can be freely positioned along the length of the reinforcement bar

ART NO.	COLOUR SCHEME	ANGLE	ADJUSTABLE
BO 5420155	Chrome-plated shiny	90°	No

### TECHNICAL DETAILS

- Product range: Round 19
- Material: Brass
- Diameter: 19 mm



## CORNER CONNECTOR ROUND 19

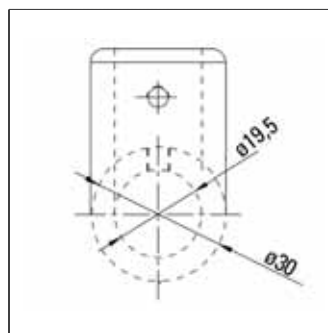
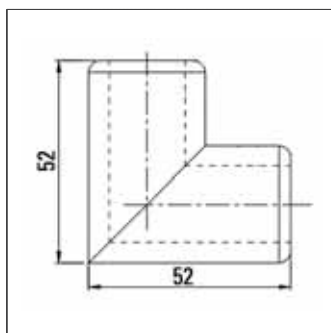
Corner connector 90° Round 19 for connecting two reinforcement bars.

ART NO.	COLOUR SCHEME	ANGLE	ADJUSTABLE
BO 5420041	Chrome-plated shiny	90°	No



### TECHNICAL DETAILS

- Product range: Round 19
- Material: Brass
- Diameter: 19 mm





## REINFORCEMENT BAR SET SQUARE 12, GLASS-WALL

The Square 12 reinforcement bar set is used to connect a fixed glass side panel to a wall. The glass connector is clamped onto the upper glass edge and, like the wall connector, is freely adjustable in angle.

### YOUR BENEFITS

- No glass processing required
- Small inconspicuous design
- Reinforcement bar can be cut to desired length

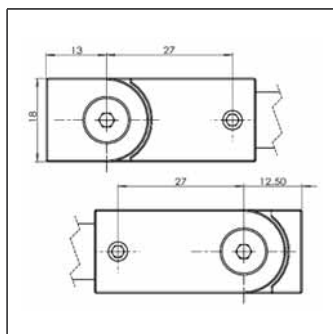
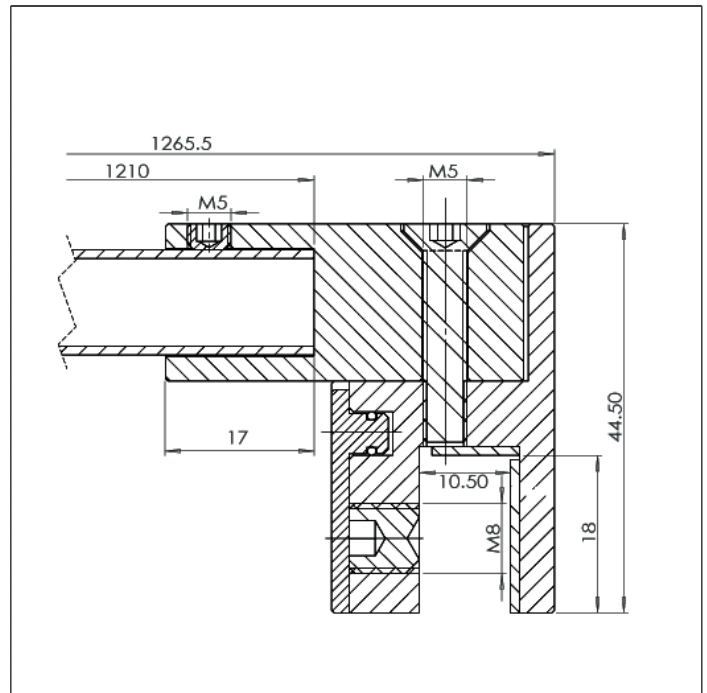
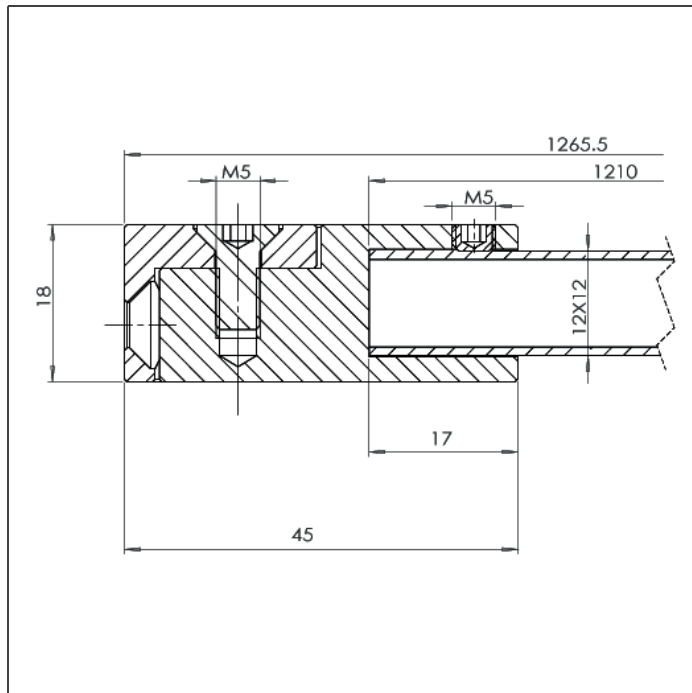


### TECHNICAL DETAILS

- Mounting type: Glass-Wall
- Glass thickness ESG: 8 - 10 mm
- Material: Brass
- Width: 12 mm
- Height: 12 mm

ART NO.	COLOUR SCHEME	LENGTH	ADJUSTABLE
<b>BO 5420262</b>	Chrome-plated shiny	1,210 mm	Yes
<b>BO 5420110</b>	Stainless steel colour brushed matt	1,210 mm	Yes
<b>BO 5420262B</b>	Black matt	1,210 mm	Yes
<b>BO 5420280</b>	Brass polished	1,210 mm	Yes
<b>BO 5420281</b>	Brass brushed	1,210 mm	Yes
<b>BO 5420282</b>	Copper brushed	1,210 mm	Yes
<b>BO 5420283</b>	White matt	1,210 mm	Yes
<b>BO 5420284</b>	Graphite matt	1,210 mm	Yes

Available from  
4th quarter 2024



### INCLUDED IN DELIVERY

- 1 Piece Reinforcement bar
- 1 Piece Adjustable glass connector
- 1 Piece Adjustable wall connector

## REINFORCEMENT BAR SQUARE 12



Reinforcement bar suitable for the Square 12 series, for individual compilation of a set.

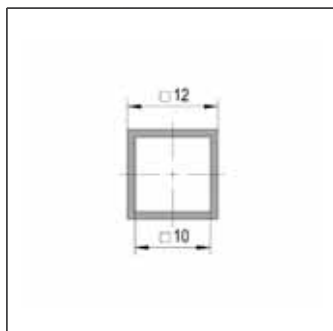
### YOUR BENEFITS

- Small unobtrusive design
- Individual composition of a set from components possible
- Reinforcement bar can be shortened individually

ART NO.	COLOUR SCHEME	LENGTH
BO 5420264	Chrome-plated shiny	1,210 mm

### TECHNICAL DETAILS

- Product range: Square 12
- Material: Brass
- Width: 12 mm
- Height: 12 mm



## WALL CONNECTOR SQUARE 12



Adjustable wall connector for connecting the Square 12 reinforcement bar to a fixed wall. Its two-part construction allows infinitely variable angle adjustment.

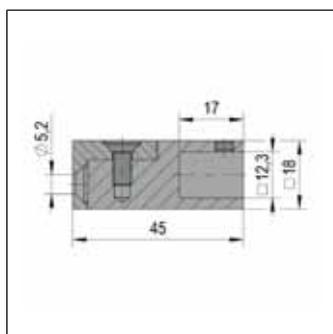
### YOUR BENEFITS

- Small unobtrusive design
- Angle infinitely variable

ART NO.	COLOUR SCHEME	ANGLE	ADJUSTABLE
BO 5420265	Chrome-plated shiny	0 - 90°	Yes

### TECHNICAL DETAILS

- Product range: Square 12
- Material: Brass
- Width: 18 mm
- Height: 18 mm



## GLASS CONNECTOR SQUARE 12

Glass connector suitable for the Square 12 reinforcement bar. Used to connect a fixed glass side panel with a Square 12 reinforcement bar. This glass connector is clamped onto the upper glass edge and is freely adjustable in angle.



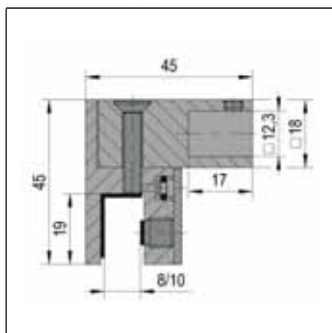
### YOUR BENEFITS

- Angle-adjustable glass connector
- No glass processing required

ART NO.	COLOUR SCHEME	ANGLE	ADJUSTABLE
BO 5420263	Chrome-plated shiny	0 - 90°	Yes

### TECHNICAL DETAILS

- Product range: Square 12
- Glass thickness ESG: 8 - 10 mm
- Material: Brass
- Width: 12 mm
- Height: 12 mm



## GLASS CONNECTOR SQUARE 12, FOR DRILLED GLASS

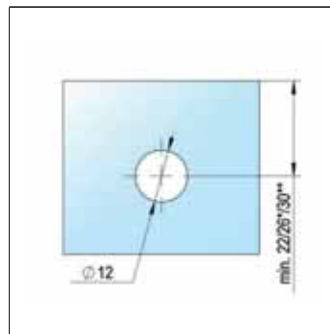
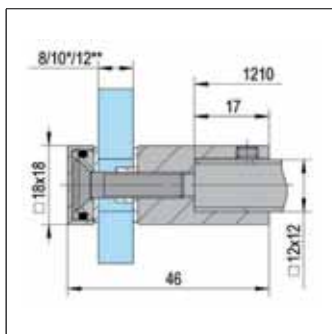
Glass connector suitable for the Square 12 reinforcement bar, used to connect a fixed glass side panel to a reinforcement bar. This glass connector is not clamped onto the glass edge as usual, but requires a 12 mm hole in the glass side panel.



ART NO.	COLOUR SCHEME	ANGLE	ADJUSTABLE
BO 5213679	Chrome-plated shiny	90°	No

### TECHNICAL DETAILS

- Product range: Square 12
- Glass thickness ESG: 8 - 12 mm
- Material: Brass
- Width: 12 mm
- Height: 12 mm



## THREE-POINT CONNECTOR SQUARE 12



Square 12 three-point connector for creating a 90° branch on a reinforcement bar, for example to hold two fixed side panels with just one reinforcement bar.

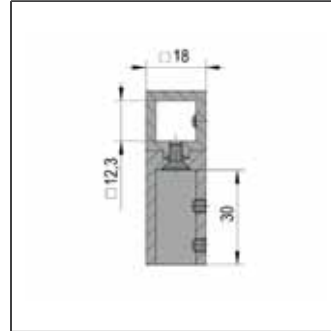
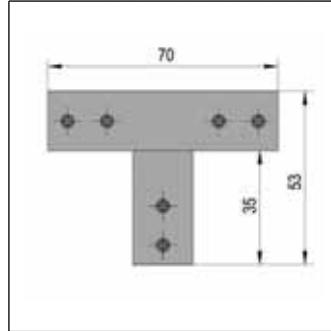
### YOUR BENEFITS

- Concealed screws
- Can be freely positioned along the length of the reinforcement bar
- Small, unobtrusive design

ART NO.	COLOUR SCHEME	ANGLE	ADJUSTABLE
BO 5420266	Chrome-plated shiny	90°	No

### TECHNICAL DETAILS

- Product range: Square 12
- Material: Brass
- Width: 12 mm
- Height: 12 mm



## REINFORCEMENT BAR SET SQUARE 15, GLASS-WALL 90°

Reinforcement bar set Square 15 is used to connect a fixed glass side panel to a wall. The glass connector is clamped onto the upper glass edge and is freely adjustable in angle. The 90° wall connector is rigid.



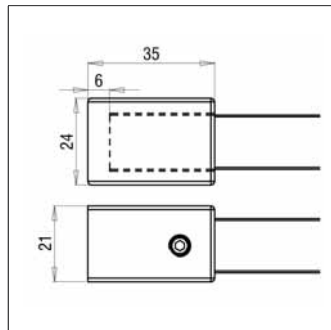
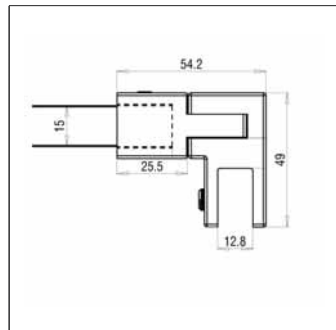
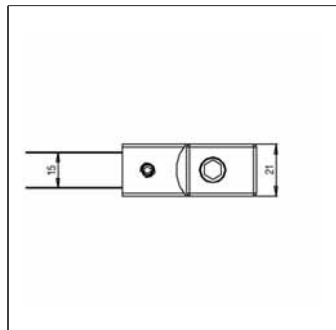
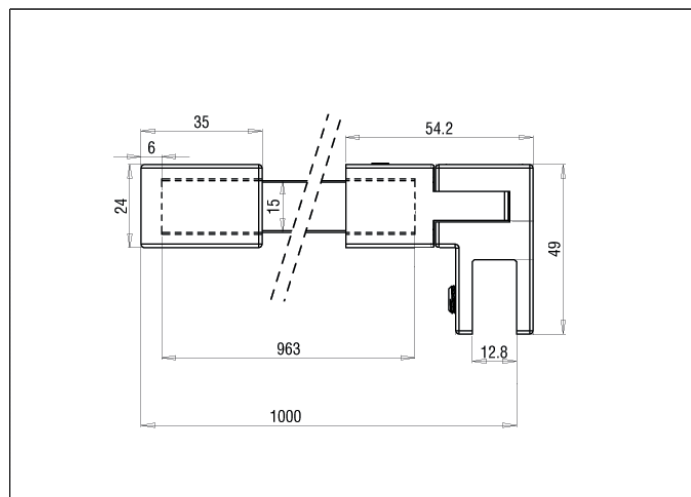
### YOUR BENEFITS

- No glass processing required
- Small inconspicuous design
- Glass connector angle adjustable

ART NO.	COLOUR SCHEME	LENGTH	ADJUSTABLE
BO 5420241	Stainless steel colour shiny	1,000 mm	Yes
BO 5420240	Stainless steel colour matt	1,000 mm	Yes

### TECHNICAL DETAILS

- Mounting type: Glass-Wall
- Mounting bracket: 90°
- Glass thickness ESG: 6 - 10 mm
- Material: Stainless steel
- Width: 15 mm



### INCLUDED IN DELIVERY

- 1 Piece Reinforcement bar
- 1 Piece Adjustable glass connector
- 1 Piece Rigid wall connector

## REINFORCEMENT BAR SQUARE 15

Reinforcement bar suitable for the Square 15 series, for individual compilation of a set.

### YOUR BENEFITS

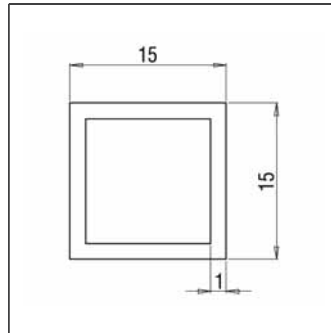
- Small unobtrusive design
- Stabilisation bar can be shortened individually
- Individual composition of a set from components possible



ART NO.	COLOUR SCHEME	LENGTH
BO 5420259	Stainless steel colour polished shiny	1,000 mm
BO 5420261	Stainless steel colour polished shiny	2,000 mm
BO 5420258	Stainless steel colour brushed matt	1,000 mm
BO 5420260	Stainless steel colour brushed matt	2,000 mm

### TECHNICAL DETAILS

- Product range: Square 15
- Material: Stainless steel
- Width: 15 mm
- Height: 15 mm



## WALL CONNECTOR SQUARE 15, ADJUSTABLE

Wall connector for connecting the Square 15 reinforcement bar to a fixed wall.

### YOUR BENEFITS

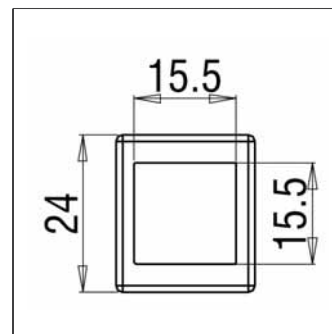
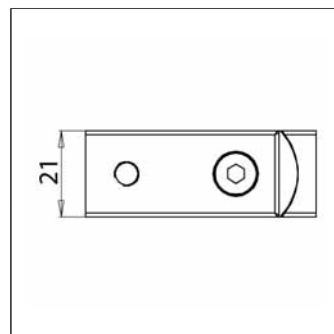
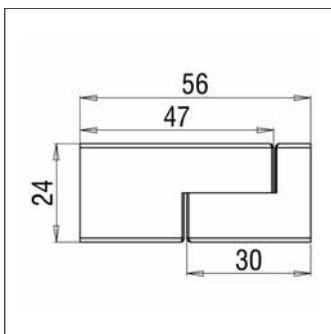
- Small unobtrusive design



ART NO.	COLOUR SCHEME	ANGLE	ADJUSTABLE
BO 5420247	Stainless steel colour shiny	0 - 90°	Yes
BO 5420246	Stainless steel colour matt	0 - 90°	Yes

### TECHNICAL DETAILS

- Product range: Square 15
- Material: Stainless steel
- Width: 15 mm
- Height: 15 mm



## WALL CONNECTOR SQUARE 15

Wall connector for connecting the Square 15 reinforcement bar to a fixed wall.

### YOUR BENEFITS

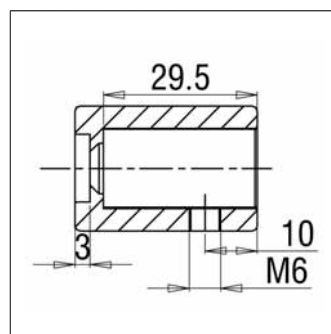
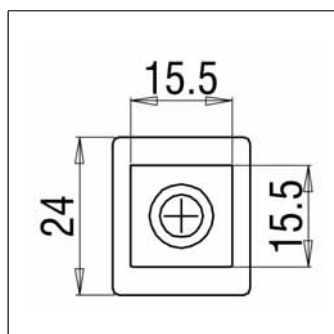
- Small unobtrusive design



ART NO.	COLOUR SCHEME	ANGLE	ADJUSTABLE
BO 5420243	Stainless steel colour shiny	90°	No
BO 5420242	Stainless steel colour matt	90°	No

### TECHNICAL DETAILS

- Product range: Square 15
- Material: Stainless steel
- Width: 15 mm
- Height: 15 mm



## GLASS CONNECTOR SQUARE 15, END PIECE

Glass connector suitable for the Square 15 reinforcement bar, used to connect a fixed glass side panel to a reinforcement bar. This glass connector is clamped onto the upper glass edge and is freely adjustable in angle.

### YOUR BENEFITS

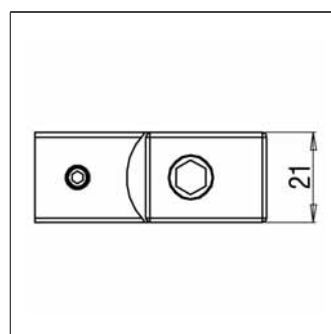
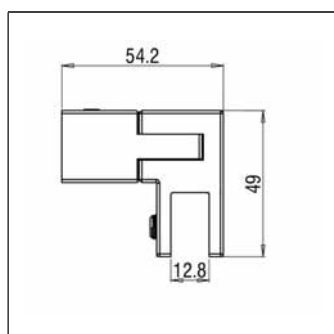
- No glass processing required
- Small unobtrusive design
- Stepless angle adjustment



ART NO.	COLOUR SCHEME	ANGLE	ADJUSTABLE
BO 5420257	Stainless steel colour shiny	0 - 90°	Yes
BO 5420256	Stainless steel colour brushed matt	0 - 90°	Yes

### TECHNICAL DETAILS

- Product range: Square 15
- Glass thickness ESG: 6 - 10 mm
- Material: Stainless steel
- Width: 15 mm
- Height: 15 mm



## GLASS CONNECTOR SQUARE 15, WITH THROUGH-OPENING

Glass connector with through-opening for sliding onto a reinforcement bar. This is clamped onto the upper edge of the fixed glass side panel, can be freely positioned along the length of the reinforcement bar and is infinitely adjustable in angle. Suitable for the Square 15 series.



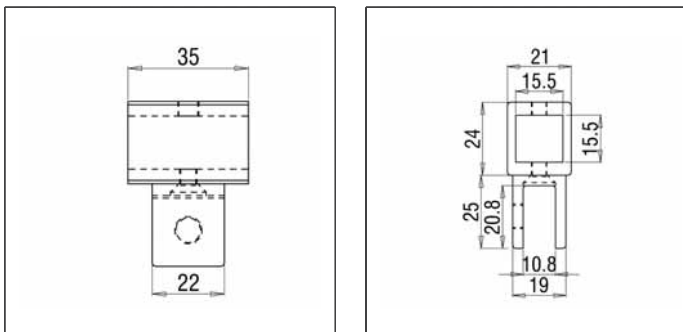
### YOUR BENEFITS

- No glass processing required
- Small, unobtrusive design
- Can be freely positioned along the length of the reinforcement bar

ART NO.	COLOUR SCHEME	ANGLE	ADJUSTABLE
BO 5420249	Stainless steel colour shiny	0 - 360°	Yes
BO 5420248	Stainless steel colour matt	0 - 360°	Yes

### TECHNICAL DETAILS

- Product range: Square 15
- Glass thickness ESG: 6 - 10 mm
- Material: Stainless steel
- Width: 15 mm



## THREE-POINT CONNECTOR SQUARE 15

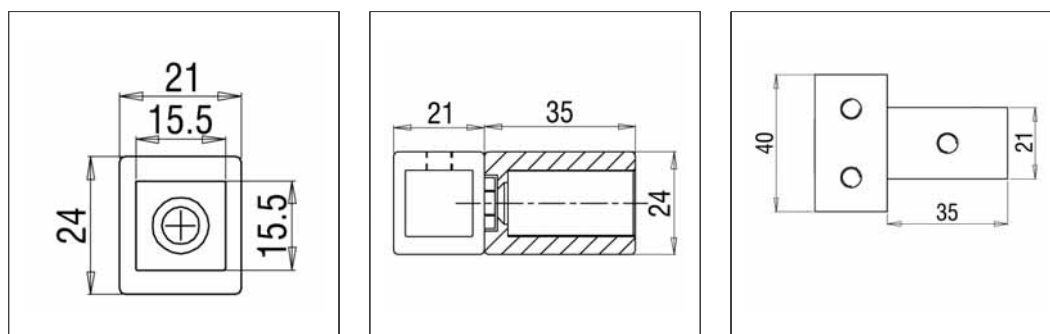
Square 15 three-point connector for creating a 90° branch on a reinforcement bar, for example to hold two fixed side panels with just one reinforcement bar.



ART NO.	COLOUR SCHEME	ANGLE	ADJUSTABLE
BO 5420251	Stainless steel colour shiny	90°	No
BO 5420250	Stainless steel colour matt	90°	No

### TECHNICAL DETAILS

- Product range: Square 15
- Material: Stainless steel
- Width: 15 mm
- Height: 15 mm





---

# Shower door handles

---

Elegant shower door handles give every glass shower door that certain something and impress with their practical functionality. Whether square or round, as a shower doorknob or bar handle, made of metal, wood or glass: a shower door handle from Bohle promises high quality and enhances the look of any shower.



## SHOWER DOORKNOB RK001

Due to its flat shape, the RK001 shower doorknob fits easily into the space between the door and fixed panel and is therefore particularly suitable for use with sliding doors. Of course, it can also be used with all other shower enclosures.



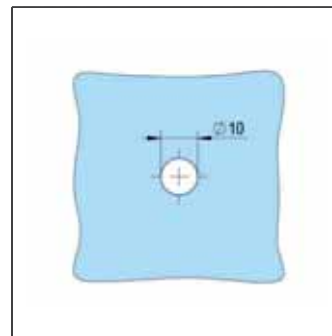
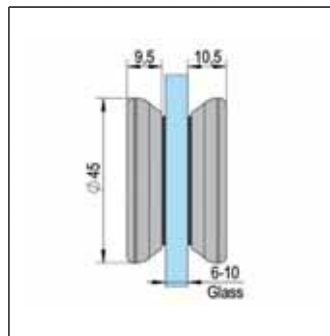
### YOUR BENEFITS

- Particularly flat version for sliding doors
- Conical shape for a better grip

### TECHNICAL DETAILS

- Mounting type: Screwed
- Glass thickness: 6 - 10 mm
- Hole diameter in the glass: 10 mm
- Depth: 9.5 mm
- Shape: Round

ART NO.	COLOUR SCHEME	MATERIAL	DIAMETER
BO 5213718	Stainless steel colour polished shiny	Stainless steel V2A	45 mm
BO 5213717	Stainless steel colour brushed matt	Stainless steel V2A	45 mm
BO 5213719	Black anodised E6, stained matt	Aluminium	45 mm



## SHOWER DOORKNOB RK002

Its unobtrusive size makes the RK002 shower doorknob a classic among shower doorknobs. Available in many finishes, it has a generous round shape with easy-grip recesses.



### YOUR BENEFITS

- Small, unobtrusive design
- With recessed grip

### TECHNICAL DETAILS

- Mounting type: Screwed
- Glass thickness: 6 - 10 mm
- Hole diameter in the glass: 10 mm
- Depth: 30 mm
- Shape: Round

ART NO.	COLOUR SCHEME	MATERIAL	DIAMETER
BO 5213705	Chrome-plated shiny	Brass	32 mm
BO 5213706	Stainless steel colour brushed matt	Brass	32 mm
BO 5213705B	Black matt	Brass	32 mm

## SHOWER DOORKNOB RK003



Thanks to its straight cylindrical shape and integrated circumferential handle grooves, the RK003 shower door knob adds a special design accent, despite its small size.

### YOUR BENEFITS

- Small inconspicuous design
- Circumferential grooves increase grip

ART NO.	COLOUR SCHEME	MATERIAL	DIAMETER
BO 5213722	Chrome-plated shiny	Brass	30 mm

### TECHNICAL DETAILS

- Mounting type: Screwed
- Glass thickness: 6 - 10 mm
- Hole diameter in the glass: 10 mm
- Depth: 30 mm
- Shape: Round

## SHOWER DOORKNOB RK004



The RK004 shower doorknob is available in many different finishes. It has a pleasant flat design and easy to grip with wet hands.

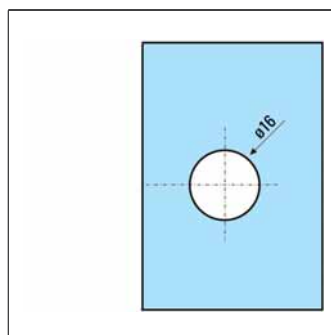
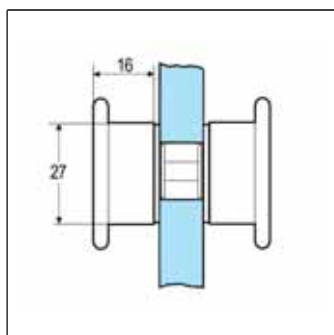
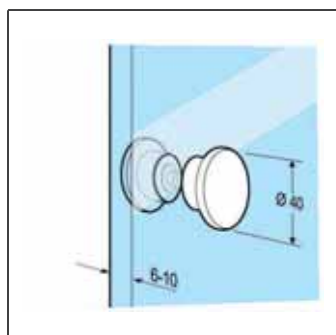
### YOUR BENEFITS

- Small, unobtrusive design
- Very easy to grip

ART NO.	COLOUR SCHEME	MATERIAL	DIAMETER
BO 5213701	Chrome-plated shiny	Brass	40 mm
BO 5213702	Chrome-plated matt	Brass	40 mm
BO 5213700	Stainless steel colour brushed matt	Brass	40 mm

### TECHNICAL DETAILS

- Mounting type: Screwed
- Glass thickness: 6 - 10 mm
- Hole diameter in the glass: 16 mm
- Depth: 16 mm
- Shape: Round



## SHOWER DOORKNOB RK005



Shower doorknob RK005. One doorknob, many possibilities. There is a choice of different diameters, lengths and materials. All equipped with an easy-to-grip, circumferential groove.

### YOUR BENEFITS

- Available in different materials
- With circumferential handle groove

ART NO.	MATERIAL	DIAMETER	DEPTH
BO 5213733	Brass	30 mm	30 mm
BO 5206702	Brass	35 mm	35 mm
BO 5206700	Zinc die casting	35 mm	35 mm

### TECHNICAL DETAILS

- Mounting type: Screwed
- Glass thickness: 6 - 10 mm
- Hole diameter in the glass: 12 mm
- Shape: Round
- Colour scheme: Chrome-plated shiny

## SHOWER DOORKNOB RK006



The shower doorknob RK006 in single-sided design with an integrated recessed grip only has a flat counter-clamping plate with concealed screw on the inside.

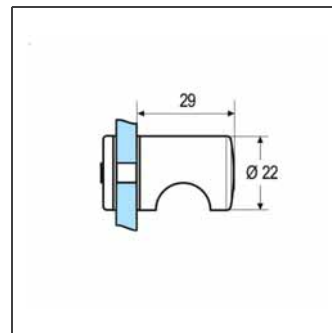
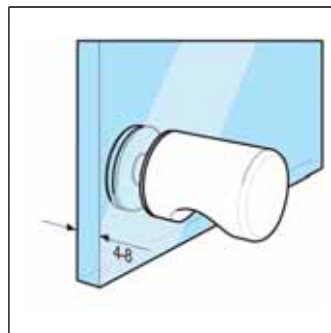
### YOUR BENEFITS

- Small, unobtrusive design
- With recessed grip
- Concealed screws

ART NO.	COLOUR SCHEME	MATERIAL	DIAMETER
BO 5213771	Chrome-plated shiny	Brass	22 mm

### TECHNICAL DETAILS

- Mounting type: Screwed
- Glass thickness: 4 - 8 mm
- Hole diameter in the glass: 8 mm
- Depth: 29 mm
- Shape: Round

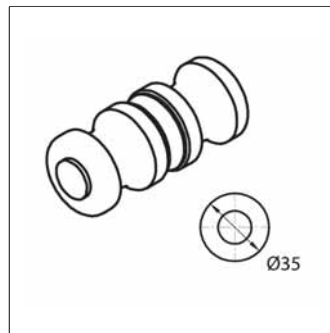
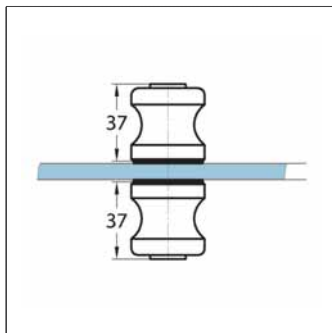


## SHOWER DOORKNOB RK007, WITH BUFFER ON BOTH SIDES

The shower door knob has a stop buffer on both sides.



ART NO.	OUTER LENGTH	INNER LENGTH	GLASS THICKNESS
BK 0501531	37 mm	37 mm	6 - 12 mm



### TECHNICAL DETAILS

- Mounting type: Screwed
- Diameter: 35 mm
- Hole diameter in the glass: 14 mm
- Colour scheme: Chrome-plated shiny
- Material: Brass

## SHOWER DOORKNOB RK007, WITH BUFFER ON ONE SIDE

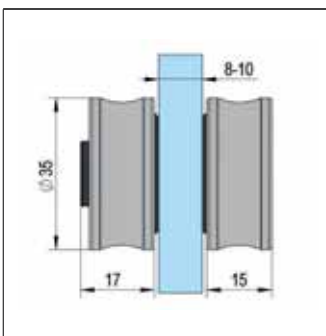
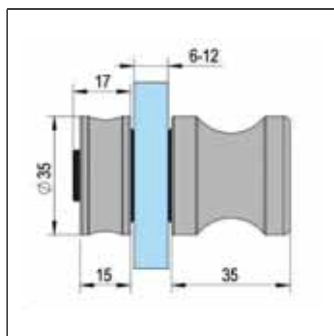
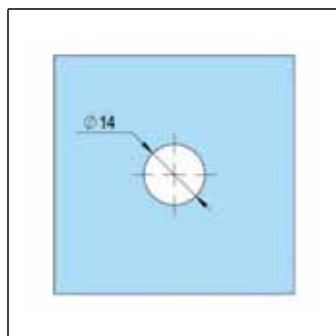
The shower door knob has a stop buffer on one side and is available in different handle lengths for the outside. It is particularly suitable for use in folding glass walls, as the bumper reliably prevents glass-to-metal contact.



ART NO.	OUTER LENGTH	INNER LENGTH	GLASS THICKNESS
BK 0501331	35 mm	17 mm	6 - 12 mm
BO 5213720	15 mm	17 mm	8 - 10 mm

### TECHNICAL DETAILS

- Mounting type: Screwed
- Diameter: 35 mm
- Hole diameter in the glass: 14 mm
- Colour scheme: Chrome-plated shiny
- Material: Brass



## SHOWER DOORKNOB RK008



The RK008 shower doorknob is anything but standard. Made of cast glass, it is a real highlight in the bathroom and can be combined with all materials and surfaces. Ergonomically shaped, it is easy to grip.

### YOUR BENEFITS

- Unobtrusive design due to the use of glass

ART NO.	COLOUR SCHEME	MATERIAL	DIAMETER
BO 5213781	Colourless	Glass	37 mm

### TECHNICAL DETAILS

- Mounting type: Screwed
- Glass thickness: 6 - 10 mm
- Hole diameter in the glass: 12 mm
- Depth: 31 mm
- Shape: Round

## SAUNA DOORKNOB RK009



This doorknob made of hemlock is ideal for installation in sauna glass doors and fits perfectly with our Juna® sauna ranges.

### YOUR BENEFITS

- Ideal for saunas
- Very easy to grip

ART NO.	COLOUR SCHEME	MATERIAL	DIAMETER
BO 5215020	Light oak	Wood	65 mm

### TECHNICAL DETAILS

- Mounting type: Screwed
- Glass thickness: 8 mm
- Hole diameter in the glass: 16 mm
- Depth: 45 mm

## SHOWER DOORKNOB SK001

Thanks to its square, angular shape, the SK001 shower door knob goes well with our angular shower door fittings, but can of course also be combined with any other series. Equipped with a wide heel, it is very easy to grip.



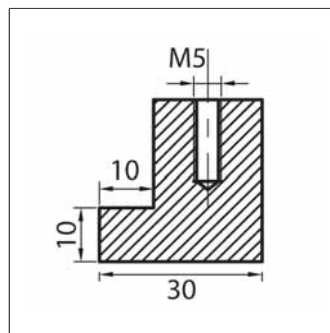
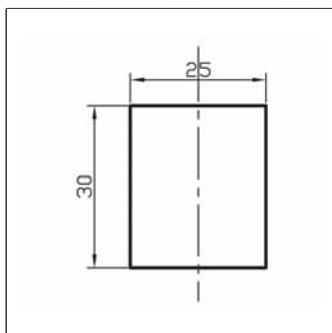
### YOUR BENEFITS

- Very easy to grip

ART NO.	COLOUR SCHEME	MATERIAL	GLASS THICKNESS
BO 5206711	Chrome-plated shiny	Brass	6 - 10 mm
BO 5206713	Stainless steel colour brushed matt	Brass	6 - 10 mm
BO 5206711B	Black matt	Brass	6 - 10 mm

### TECHNICAL DETAILS

- Mounting type: Screwed
- Hole diameter in the glass: 10 mm
- Width: 30 mm
- Depth: 30 mm
- Shape: Square



## SHOWER DOORKNOB SK002

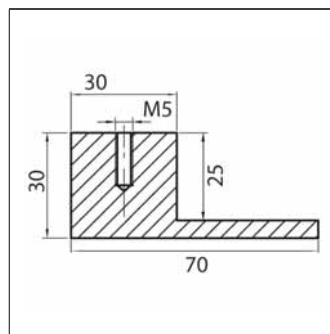
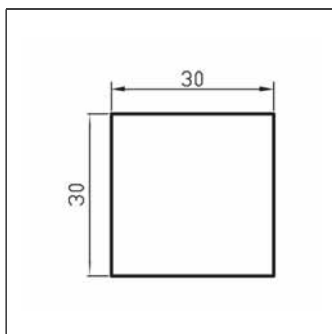
The shower doorknob SK002 fits well with the Bohle shower door fittings thanks to its angular, elongated shape. Equipped with a wide heel, it is very easy to grip.



### YOUR BENEFITS

- Very easy to grip

ART NO.	COLOUR SCHEME	MATERIAL	GLASS THICKNESS
BO 5206717	Chrome-plated shiny	Brass	6 - 10 mm



### TECHNICAL DETAILS

- Mounting type: Screwed
- Hole diameter in the glass: 10 mm
- Width: 70 mm
- Depth: 30 mm
- Shape: Square

## SHOWER DOORKNOB SK003



Thanks to its angular shape, the SK003 shower doorknob can be combined well with our angular shower door fittings. Equipped with a grip groove, it is also easy to hold.

### YOUR BENEFITS

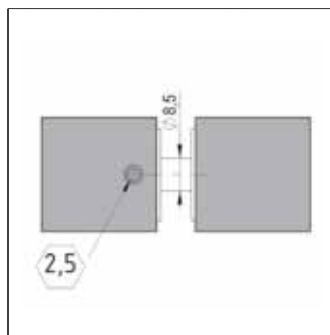
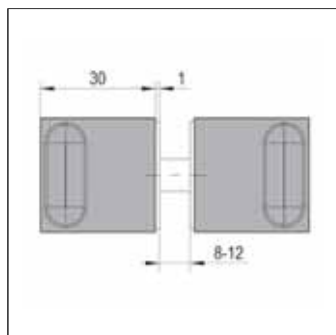
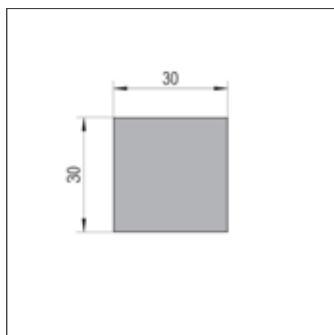
- With recessed grip

ART NO.	COLOUR SCHEME	MATERIAL	GLASS THICKNESS
BO 5212526	Chrome-plated shiny	Brass	6 - 12 mm
BO 5212527	Stainless steel colour brushed matt	Brass	6 - 12 mm
BO 5212528	Black matt	Brass	6 - 12 mm
BO 5212529	Brass polished	Brass	6 - 12 mm
BO 5212530	Brass brushed	Brass	6 - 12 mm
BO 5212531	Copper brushed	Brass	6 - 12 mm
BO 5212532	White matt	Brass	6 - 12 mm
BO 5212533	Graphite matt	Brass	6 - 12 mm

Available from  
4th quarter 2024

### TECHNICAL DETAILS

- Mounting type: Screwed
- Hole diameter in the glass: 10 mm
- Width: 30 mm
- Depth: 30 mm
- Shape: Square



## SHOWER DOOR HANDLE RH001



The RH001 shower door handle has a modern, mitred shape made from round tubing, which makes them easy to grip. Available in two different lengths and surface finishes.

### YOUR BENEFITS

- Available in various surface finishes
- Particularly easy to grip
- Available in different lengths

ART NO.	COLOUR SCHEME	DISTANCE BETWEEN CENTRE DRILL HOLES	GLASS THICKNESS
BO 5212511	Stainless steel colour polished shiny	152 mm	6 - 12 mm
BO 5212510	Stainless steel colour brushed matt	152 mm	6 - 12 mm
BO 5212515	Stainless steel colour polished shiny	203 mm	6 - 12 mm
BO 5212514	Stainless steel colour brushed matt	203 mm	6 - 12 mm

### TECHNICAL DETAILS

- Material: Stainless steel
- Hole diameter in the glass: 12 mm
- Diameter: 19 mm
- Depth: 60 mm



## SHOWER DOOR HANDLE RH002



The RH002 shower door handle has an appealing modern shape made of round tubing, which makes them easy to grip. Single-sided design with door handle on the outside and unobtrusive knob on the inside.

### YOUR BENEFITS

- Very easy to grip
- Small knob on the inside
- Can be used as a towel rail from the outside

ART NO.	COLOUR SCHEME	DISTANCE BETWEEN CENTRE DRILL HOLES	GLASS THICKNESS
BO 5215024	Stainless steel colour polished shiny	375 mm	6 - 12 mm

### TECHNICAL DETAILS

- Material: Stainless steel
- Hole diameter in the glass: 14 mm
- Diameter: 25 mm
- Depth: 65 mm

## SHOWER DOOR HANDLE RH003



The RH003 shower door handle has a modern, mitred shape made from round tubing, which makes them easy to grip. Single-sided design with door handle on the outside and unobtrusive knob on the inside.

### YOUR BENEFITS

- Very easy to grip
- Small knob on the inside
- Can be used as a towel rail from the outside

ART NO.	COLOUR SCHEME	DISTANCE BETWEEN CENTRE DRILL HOLES	GLASS THICKNESS
BO 5215026	Stainless steel colour polished shiny	475 mm	6 - 12 mm

### TECHNICAL DETAILS

- Material: Stainless steel
- Hole diameter in the glass: 14 mm
- Diameter: 25 mm
- Depth: 65 mm

## SHOWER DOOR HANDLE RH004



The RH004 single-sided shower door handle is characterised by its curved shape made of round tubing with a good grip. This shower door handle can be used as a single-sided shower door handle or towel rail.

### YOUR BENEFITS

- Available in different lengths
- Can be used as a towel rail from the outside

ART NO.	COLOUR SCHEME	DISTANCE BETWEEN CENTRE DRILL HOLES	GLASS THICKNESS
BO 5215034	Stainless steel colour polished shiny	457 mm	6 - 12 mm
BO 5215035	Stainless steel colour polished shiny	610 mm	6 - 12 mm

### TECHNICAL DETAILS

- Material: Stainless steel
- Hole diameter in the glass: 12 mm
- Diameter: 19 mm
- Depth: 60 mm

### PLEASE NOTE

Height of the end screw 8 mm

## SHOWER DOOR HANDLE SH001



The SH001 shower door handle has a modern, mitred shape made from elegant square tubing. Available in different lengths and finishes.

### YOUR BENEFITS

- Available in various surface finishes
- Available in different lengths

### TECHNICAL DETAILS

- Material: Stainless steel
- Hole diameter in the glass: 10 mm
- Width: 19 mm
- Depth: 62 mm

ART NO.	COLOUR SCHEME	DISTANCE BETWEEN CENTRE DRILL HOLES	GLASS THICKNESS
BO 5212521	Stainless steel colour polished shiny	152 mm	6 - 10 mm
BO 5212520	Stainless steel colour brushed matt	152 mm	6 - 10 mm
BO 5212525	Stainless steel colour polished shiny	203 mm	6 - 10 mm
BO 5212524	Stainless steel colour brushed matt	203 mm	6 - 10 mm
BO 5212524B	Black powder coated matt	203 mm	6 - 10 mm

## SHOWER DOOR HANDLE SH002



The SH002 shower door handle impresses with its modern, angular shape. The single-sided version is available with a door handle on the outside and an unobtrusive knob on the inside.

### YOUR BENEFITS

- Modern simple form
- Small knob on the inside
- Can be used as a towel rail from the outside

### TECHNICAL DETAILS

- Material: Stainless steel
- Hole diameter in the glass: 12 mm
- Width: 30 mm
- Depth: 65 mm

ART NO.	COLOUR SCHEME	DISTANCE BETWEEN CENTRE DRILL HOLES	GLASS THICKNESS
BO 5215025	Stainless steel colour polished shiny	400 mm	6 - 12 mm

## SHOWER DOOR HANDLE SELF-ADHESIVE ONE-SIDED



Self-adhesive door handle in a simple rod design. The handle is particularly suitable for sliding glass doors.

### YOUR BENEFITS

- Self-adhesive
- Ideal for sliding doors

ART NO.	COLOUR SCHEME	DEPTH
BO 5113723	Stainless steel colour polished shiny	8 mm
BO 5113721	Stainless steel colour polished shiny	17 mm
BO 5113720	Stainless steel colour brushed matt	17 mm

### TECHNICAL DETAILS

- Material: Stainless steel
- Width: 12 mm
- Length: 150 mm

# Towel rail

Our towel rails are an ideal addition to any bathroom and are perfectly matched to all Bohle shower door hinges and fittings. Our range includes towel rails as attachments for glass showers or as classic holders with drilled holes. What they all have in common is their high quality and premium design.

## TOWEL HOOK, ONE HOOK



The towel hook is the ideal addition to any glass shower. Simply clamped onto the upper glass edge of the shower, it eliminates the need for any drilling.

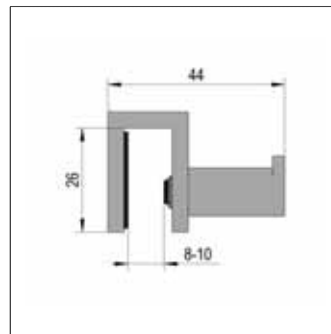
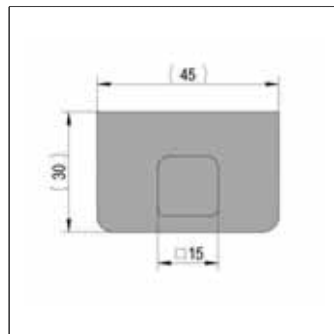
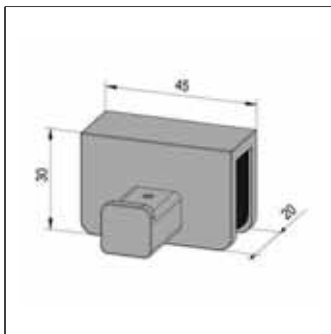
### YOUR BENEFITS

- No glass processing required
- Towel is always positioned within easy reach of the shower
- Can be retrofitted

ART NO.	COLOUR SCHEME	GLASS THICKNESS	MODEL
BO 5420018	Chrome-plated shiny	8 - 10 mm	One hook

### TECHNICAL DETAILS

- Material: Brass



## TOWEL HOOK, TWO HOOKS

The towel hook is the ideal addition to any glass shower. Simply clamped onto the upper glass edge of the shower, it eliminates the need for any drilling.

### YOUR BENEFITS

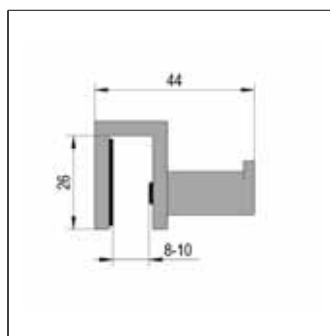
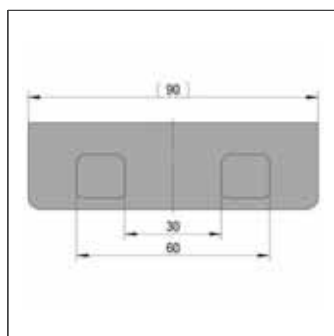
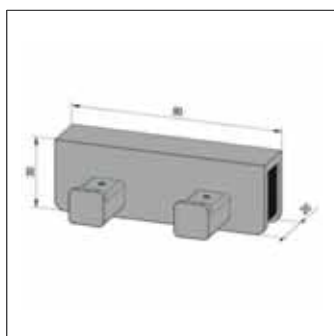
- No glass processing required
- Towel is always positioned within easy reach of the shower
- Can be retrofitted



ART NO.	COLOUR SCHEME	GLASS THICKNESS	MODEL
BO 5420019	Chrome-plated shiny	8 - 10 mm	Two hooks

### TECHNICAL DETAILS

- Material: Brass



---

# Door stops

---

The practical door stoppers prevent a shower door from opening in the wrong direction and prevent doors from being over-extended. They can be retrofitted quickly as they are usually simply placed on the glass edge of the fixed panel.



## DOOR STOP FOR RETROFITTING, GLASS-WALL 90°

Door stops for retrofitting 90° glass-wall are screwed to the wall. They prevent the door from being pushed over in one direction. Fine adjustment of the door end position is made via the integrated eccentric adjustment.



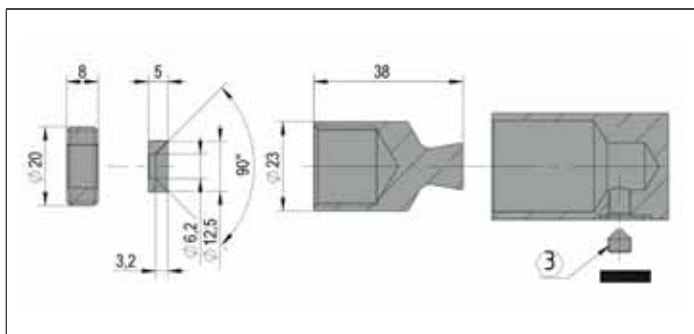
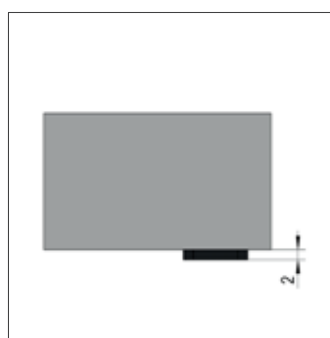
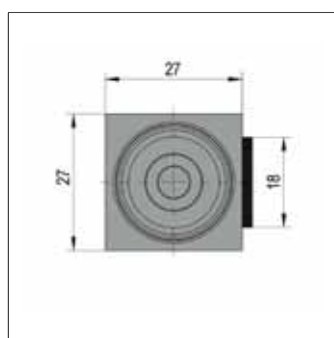
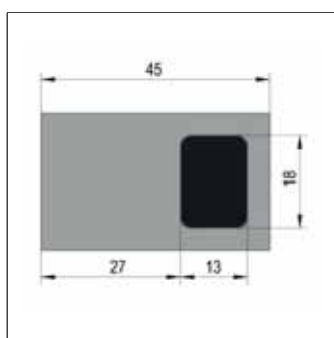
### YOUR BENEFITS

- Small, inconspicuous design
- Eccentric adjustment

ART NO.	COLOUR SCHEME	OPENING DIRECTION
BO 5420277	Chrome-plated shiny	DIN right and DIN left

### TECHNICAL DETAILS

- Mounting type: Glass-Wall
- Glass thickness ESG: 6 - 12 mm
- Material: Brass



## DOOR STOP FOR RETROFITTING, GLASS-GLASS 90°, DIN LEFT

Door stops for retrofitting 90° glass-glass are clamped onto the upper glass edge of the fixed side panel. They prevent the door from being pushed over in one direction.

### YOUR BENEFITS

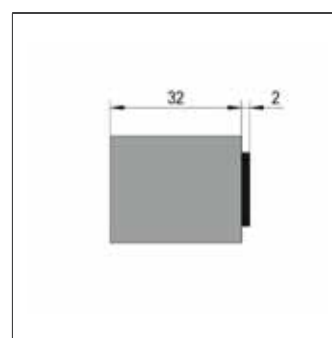
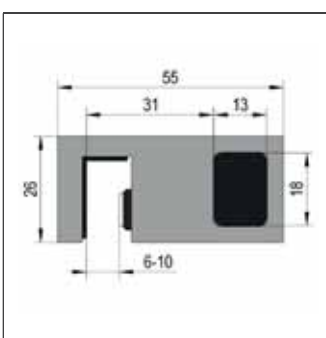
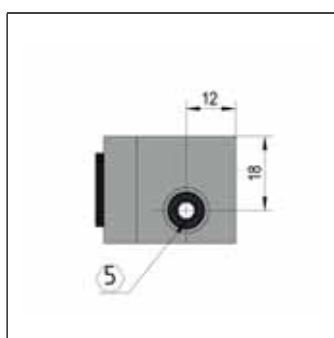
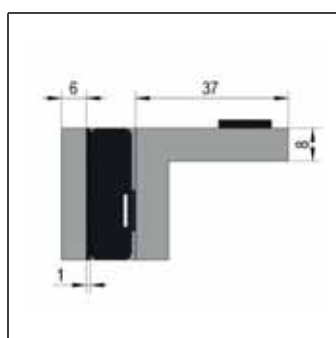
- Small, inconspicuous design
- Can be retrofitted



ART NO.	COLOUR SCHEME	OPENING DIRECTION
BO 5420275	Chrome-plated shiny	Left

### TECHNICAL DETAILS

- Mounting type: Glass-Glass
- Glass thickness ESG: 6 - 10 mm
- Material: Brass



## DOOR STOP FOR RETROFITTING, GLASS-GLASS 90°, DIN RIGHT

Door stops for retrofitting 90° glass-glass are clamped onto the upper glass edge of the fixed side panel. They prevent the door from being pushed over in one direction.

### YOUR BENEFITS

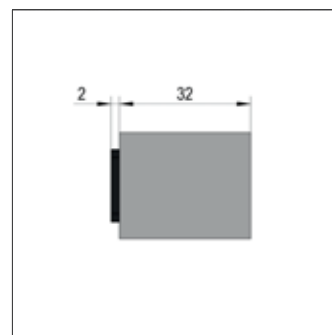
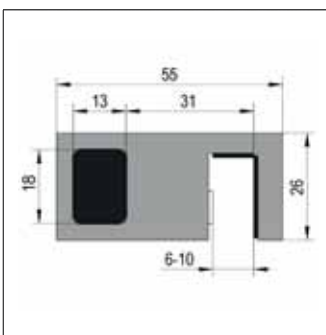
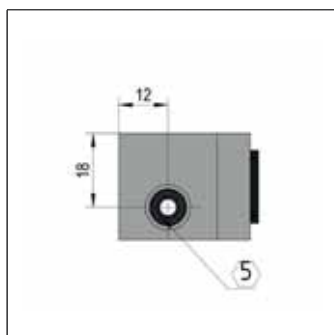
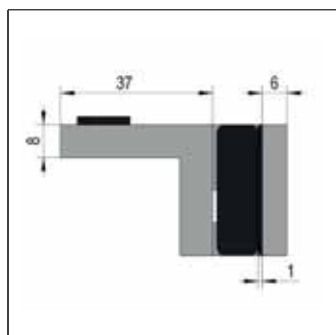
- Small, inconspicuous design
- Can be retrofitted



ART NO.	COLOUR SCHEME	OPENING DIRECTION
BO 5420276	Chrome-plated shiny	Right

### TECHNICAL DETAILS

- Mounting type: Glass-Glass
- Glass thickness ESG: 6 - 10 mm
- Material: Brass



## DOOR STOP FOR RETROFITTING, GLASS-GLASS 180°, DIN LEFT

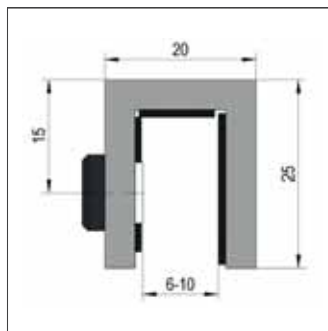
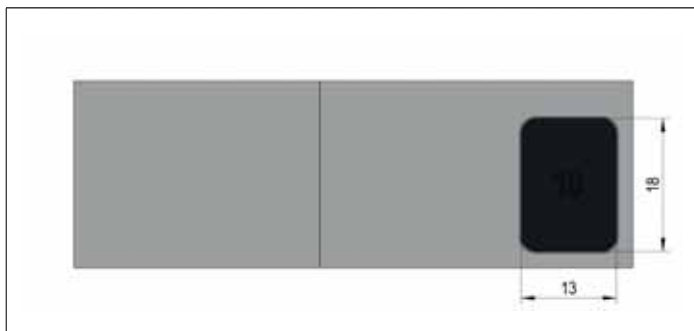
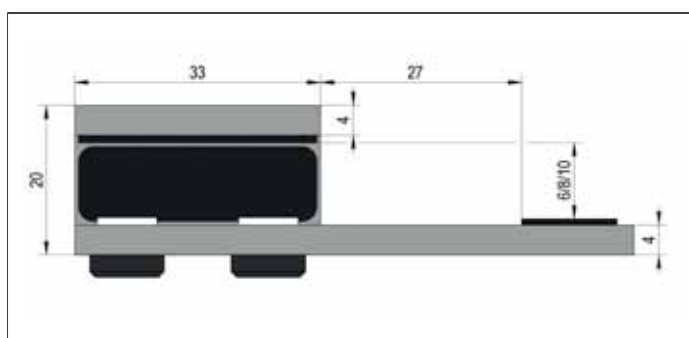
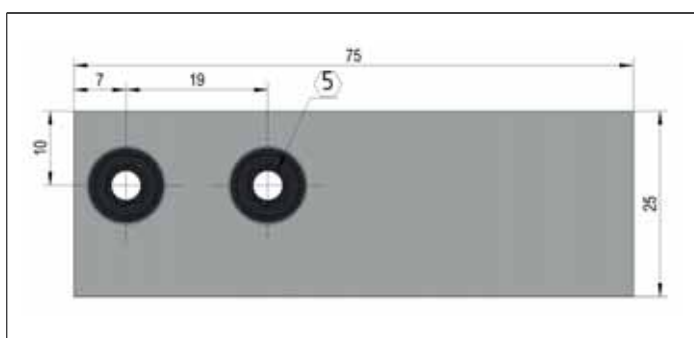
Door stops for retrofitting, glass-glass 180°, are clamped onto the upper glass edge of the fixed side panel. They prevent the door from opening or being pushed over in one direction.



ART NO.	COLOUR SCHEME	OPENING DIRECTION
BO 5420272	Chrome-plated shiny	Left
BO 5420274	Stainless steel colour nickel-plated brushed matt	Left
BO 5420270	Black cathodic coated (ctl) matt	Left

### TECHNICAL DETAILS

- Mounting type: Glass-Glass
- Glass thickness ESG: 6 - 10 mm
- Material: Brass





## DOOR STOP FOR RETROFITTING, GLASS-GLASS 180°, DIN RIGHT

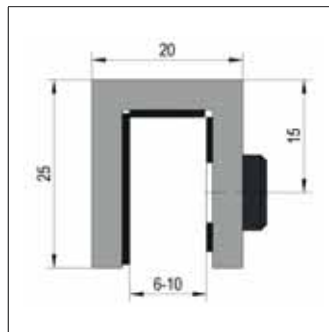
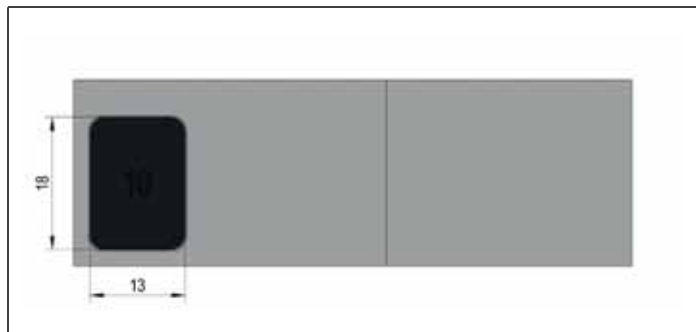
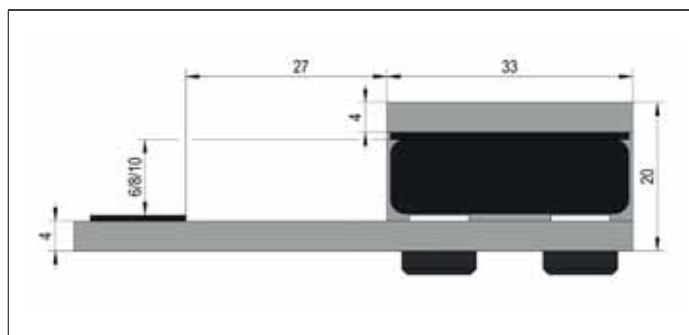
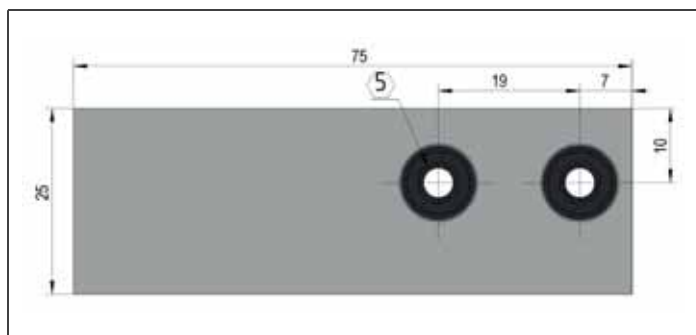
Door stops for retrofitting, glass-glass 180°, are clamped onto the upper glass edge of the fixed side panel. They prevent the door from opening or being pushed over in one direction.



ART NO.	COLOUR SCHEME	OPENING DIRECTION
BO 5420271	Chrome-plated shiny	Right
BO 5420273	Stainless steel colour nickel-plated brushed matt	Right
BO 5420269	Black cathodic coated (ctl) matt	Right

### TECHNICAL DETAILS

- Mounting type: Glass-Glass
- Glass thickness ESG: 6 - 10 mm
- Material: Brass



---

# Shower door seals and glazing profiles

---



# Shower door seals

A shower door seal is an indispensable element for the shower enclosure in many bathrooms. By sitting perfectly on the edge of the glass, it seals your shower and reduces water leakage to the outside. In our range, we offer high-quality seals as glass door seals that are suitable for every installation.

## SHOWER DOOR SEAL WITH SHORT SEALING LIP



Shower door seals with a single sealing lip are suitable for both the hinge side and the underside and are used for both single-action and swing doors. The seal is simply slipped onto the edge of the glass.

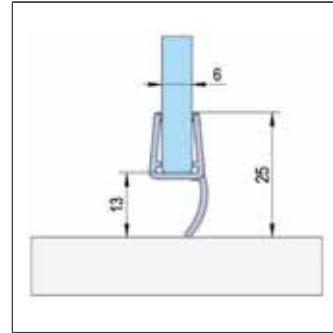
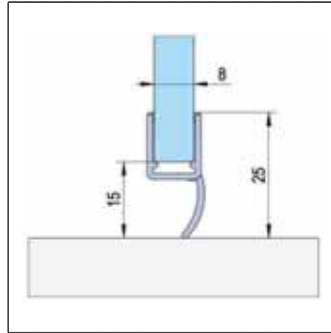
### YOUR BENEFITS

- High durability and UV resistance
- Highly transparent

ART NO.	GLASS THICKNESS ESG	LENGTH
BO 5281095	6 - 8 mm	2,500 mm

### TECHNICAL DETAILS

- Stop type: Swing and stop door
- Fastening type: Push on
- Material: Polyvinyl chloride (PVC)



### PLEASE NOTE

Quality product from Rehau Germany

## SHOWER DOOR SEAL WITH 90° CORNER STOP



Shower door seals with corner stop are suitable for fixed glazing arranged at a 90° angle and are used exclusively with stop doors. An additional, soft sealing lip serves as a light stop buffer for the door. The seal is simply pushed onto the edge of the glass.

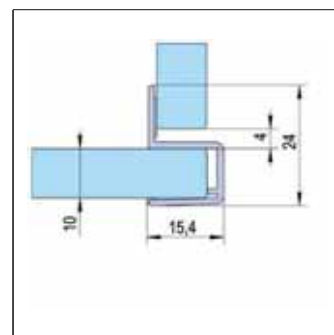
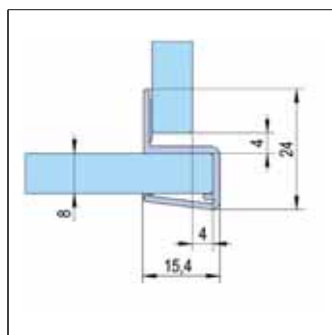
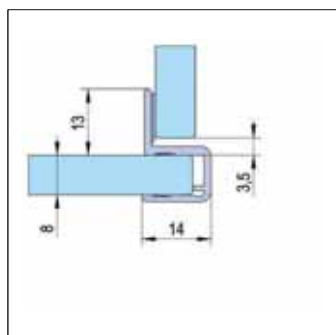
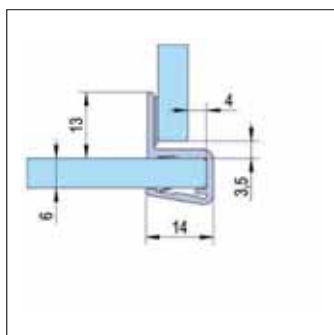
### YOUR BENEFITS

- High durability and UV resistance
- Highly transparent

ART NO.	GLASS THICKNESS ESG	LENGTH
BO 5213519	6 - 8 mm	2,160 mm
BO 5281019	8 - 10 mm	2,160 mm

### TECHNICAL DETAILS

- Stop type: Stop door
- Fastening type: Push on
- Angle: 90°
- Material: Polyvinyl chloride (PVC)



### PLEASE NOTE

Quality product from Rehau Germany

## SHOWER DOOR SEAL WITH LONG SEALING LIP



Shower door seals with a single sealing lip are suitable for both the hinge side and the underside and are used for both single-action and swing doors. The seal is simply slipped onto the edge of the glass.

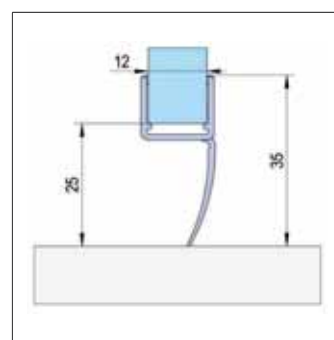
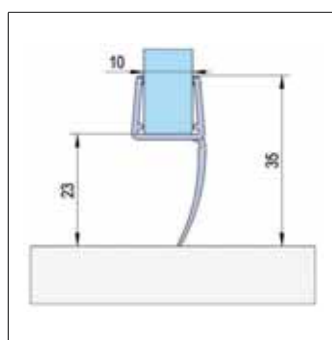
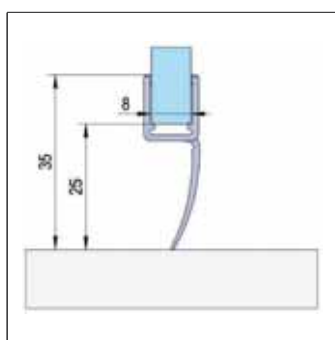
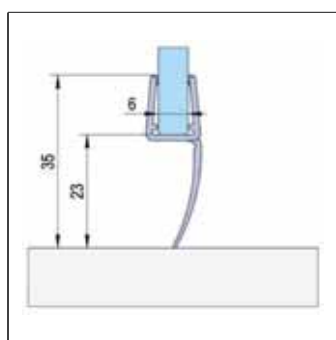
### YOUR BENEFITS

- High durability and UV resistance
- Highly transparent

ART NO.	GLASS THICKNESS ESG	LENGTH
BO 5213493	6 - 8 mm	2,160 mm
BO 5281093	10 - 12 mm	2,160 mm

### TECHNICAL DETAILS

- Stop type: Swing and stop door
- Fastening type: Push on
- Material: Polyvinyl chloride (PVC)



### PLEASE NOTE

Quality product from Rehau Germany

## SHOWER DOOR SEAL WITH OPEN SEALING LIP



Shower door seals with an open sealing lip are suitable for both the handle side and the hinge side and are used in particular for single-action doors due to their asymmetrical shape. The seal is simply slipped onto the edge of the glass.

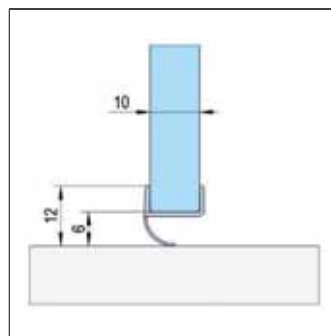
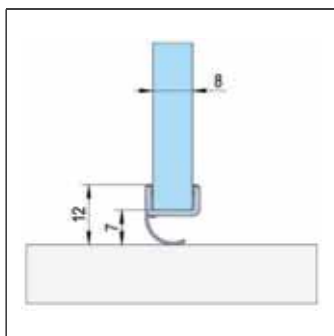
### YOUR BENEFITS

- High durability and UV resistance
- Highly transparent

ART NO.	GLASS THICKNESS ESG	LENGTH
BO 5213492	8 mm	2,160 mm
BO 5281092	10 mm	2,160 mm

### TECHNICAL DETAILS

- Stop type: Stop door
- Fastening type: Push on
- Material: Polyvinyl chloride (PVC)



### PLEASE NOTE

Quality product from Rehau Germany

## SHOWER DOOR SEAL WITH LONG WATER DEFLECTOR



Shower door seals with water deflector are suitable for both the hinge side and the underside and are used for both single-action and swing doors. The seal is simply slipped onto the edge of the glass.

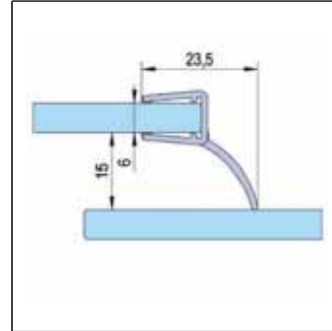
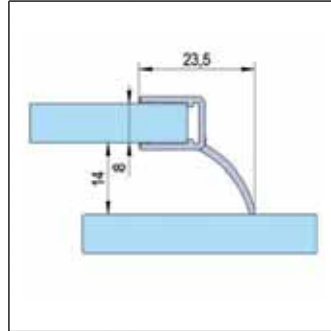
### YOUR BENEFITS

- High durability and UV resistance
- Highly transparent

ART NO.	GLASS THICKNESS ESG	LENGTH
BO 5281094	6 - 8 mm	2,010 mm

### TECHNICAL DETAILS

- Stop type: Swing and stop door
- Fastening type: Push on
- Material: Polyvinyl chloride (PVC)



### PLEASE NOTE

Quality product from Rehau Germany

## SHOWER DOOR SEAL WITH SHORT WATER DEFLECTOR



Shower door seals with water deflectors are suitable for both the hinge side and the bottom edge. They are used for both single-action and double-action doors. The short sealing lip allows for particularly small gaps between the glass and the substrate.

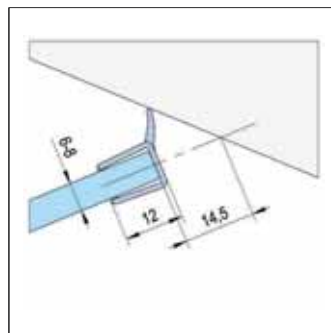
### YOUR BENEFITS

- High durability and UV resistance
- Highly transparent
- Easy to attach to the edge of the glass

ART NO.	GLASS THICKNESS ESG	LENGTH
BO 5213491	6 - 8 mm	2,160 mm

### TECHNICAL DETAILS

- Stop type: Swing and stop door
- Fastening type: Push on
- Material: Polyvinyl chloride (PVC)



### PLEASE NOTE

Quality product from Rehau Germany

## SHOWER DOOR SEAL WITH SIDE SEALING LIP



Shower door seals with a side sealing lip are used for sliding doors. The seal is simply pushed onto the edge of the glass.

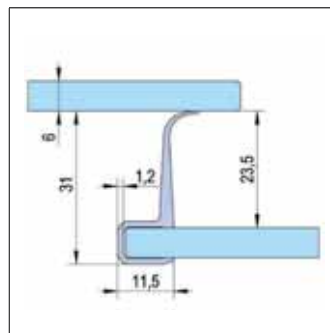
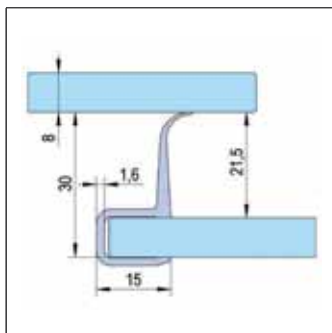
### YOUR BENEFITS

- High durability and UV resistance
- Highly transparent

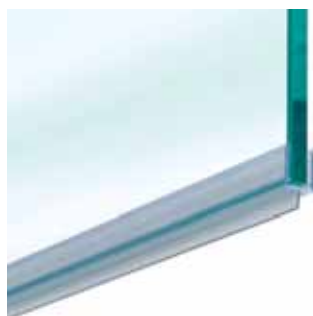
ART NO.	GLASS THICKNESS ESG	LENGTH
BO 5213524	8 mm	2,200 mm
BO 5213527	6 mm	2,200 mm

### TECHNICAL DETAILS

- Stop type: Swing and stop door
- Fastening type: Push on
- Material: Polyvinyl chloride (PVC)



## SHOWER DOOR SEAL WITH LOWER SEALING LIP



Shower door seals with a lower sealing lip are suitable for both the hinge side and the underside and are used for both single-action and double-action doors. The seal is simply slipped onto the edge of the glass.

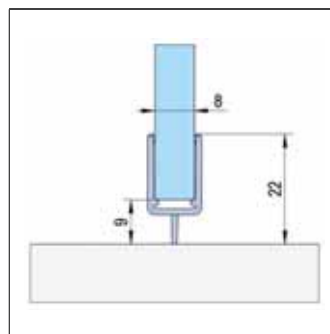
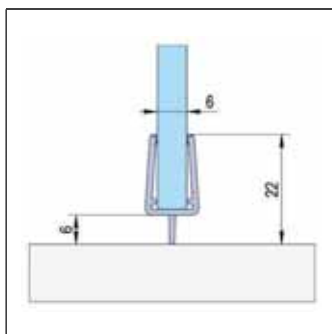
### YOUR BENEFITS

- High durability and UV resistance
- Highly transparent

ART NO.	GLASS THICKNESS ESG	LENGTH
BO 5213516	6 - 8 mm	2,160 mm

### TECHNICAL DETAILS

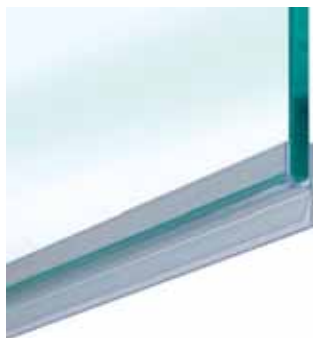
- Stop type: Swing and stop door
- Fastening type: Push on
- Material: Polyvinyl chloride (PVC)



### PLEASE NOTE

Quality product from Rehau Germany

## SHOWER DOOR SEAL WITH 180° FRONT STOP



Shower door seals with front stop are suitable for aligned fixed glazing and are used exclusively with stop doors. An additional, soft sealing lip serves as a light stop buffer for the door. The seal is simply slipped onto the edge of the glass.

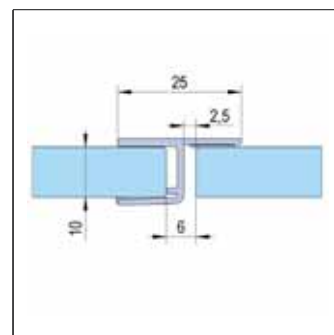
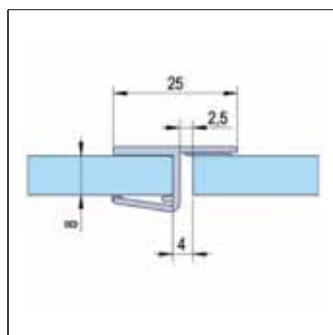
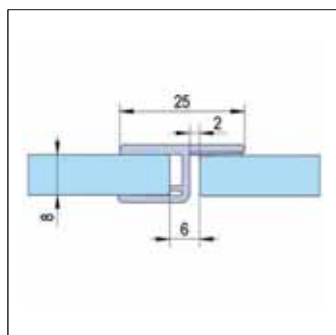
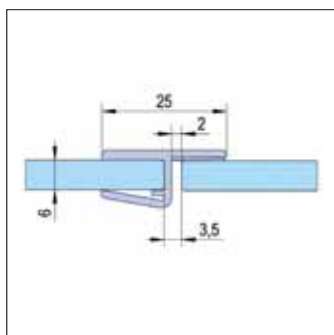
### YOUR BENEFITS

- High durability and UV resistance
- Highly transparent

ART NO.	GLASS THICKNESS ESG	LENGTH
BO 5213518	6 - 8 mm	2,160 mm
BO 5281018	8 - 10 mm	2,160 mm

### TECHNICAL DETAILS

- Stop type: Stop door
- Fastening type: Push on
- Angle: 180°
- Material: Polyvinyl chloride (PVC)



### PLEASE NOTE

Quality product from Rehau Germany

## SHOWER DOOR SEAL WITH WATER DEFLECTOR AND LOWER BELLOWS



Shower door seals with water deflector and lower bellows are particularly suitable for the underside and are used with both single-action and swing doors. The seal is simply pushed onto the edge of the glass.

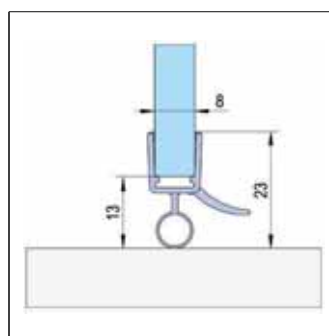
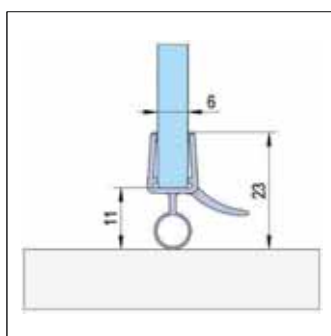
### YOUR BENEFITS

- High durability and UV resistance
- Highly transparent

ART NO.	GLASS THICKNESS ESG	LENGTH
BO 5213494	6 - 8 mm	2,010 mm

### TECHNICAL DETAILS

- Stop type: Swing and stop door
- Fastening type: Push on
- Material: Polyvinyl chloride (PVC)

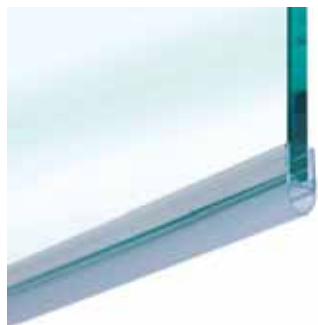


### PLEASE NOTE

Quality product from Rehau Germany



## SHOWER DOOR SEAL WITH BELLOWS



Shower door seals with bellows are suitable for both the handle side and the hinge side and are used in particular for swing doors due to their symmetrical shape. The seal is simply slipped onto the edge of the glass.

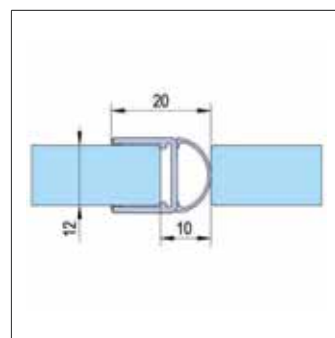
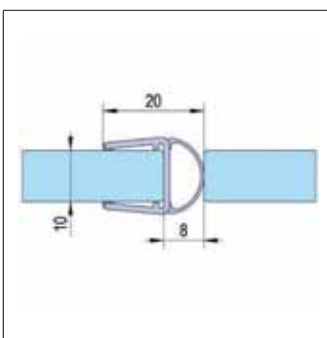
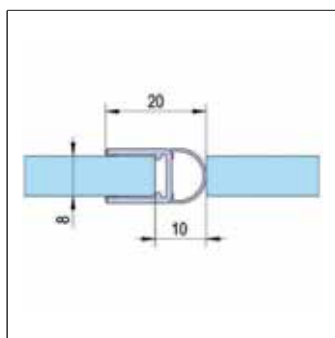
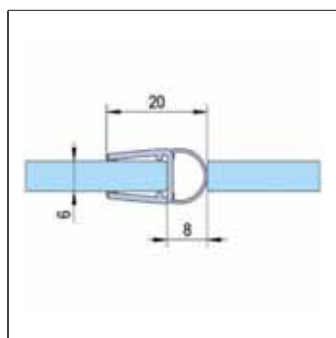
### YOUR BENEFITS

- High durability and UV resistance
- Highly transparent

ART NO.	GLASS THICKNESS ESG	LENGTH
BO 5213517	6 - 8 mm	2,160 mm
BO 5281020	10 - 12 mm	2,160 mm

### TECHNICAL DETAILS

- Stop type: Swing and stop door
- Fastening type: Push on
- Material: Polyvinyl chloride (PVC)



### PLEASE NOTE

Quality product from Rehau Germany

## SHOWER DOOR SEAL WITH BELLOWS FOR 8 MM GLASS

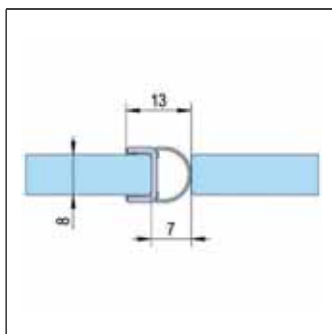


Shower door seals with bellows are suitable for both the handle side and the hinge side and are used in particular for swing doors due to their symmetrical shape. The seal is simply slipped onto the edge of the glass.

### YOUR BENEFITS

- High durability and UV resistance
- Highly transparent

ART NO.	GLASS THICKNESS ESG	LENGTH
BO 5281021	8 mm	2,000 mm



### TECHNICAL DETAILS

- Stop type: Swing and stop door
- Fastening type: Push on
- Material: Polyvinyl chloride (PVC)

### PLEASE NOTE

Quality product from Rehau Germany

## SHOWER DOOR SEAL WITH LOWER SEALING LIP AND WATER DEFLECTOR



Shower door seals with lower sealing lip and water deflector are particularly suitable for the underside and are used for both swing and single-action doors. The seal is simply slipped onto the edge of the glass.

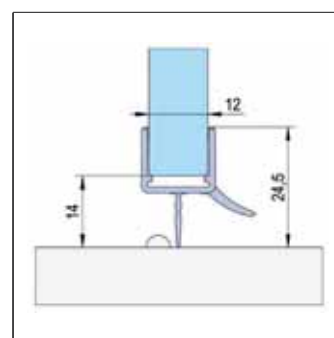
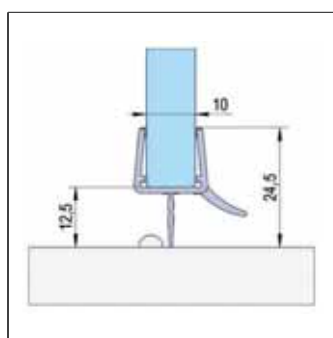
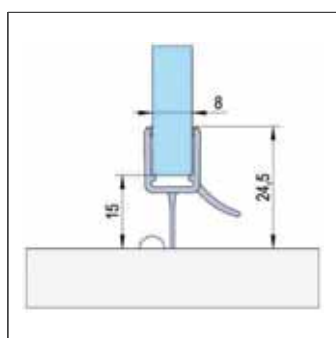
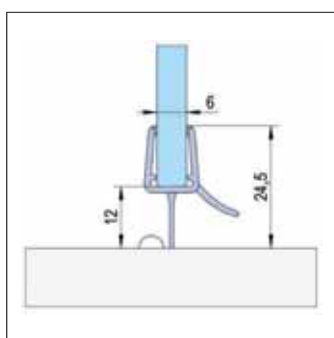
### YOUR BENEFITS

- High durability and UV resistance
- Highly transparent

ART NO.	GLASS THICKNESS ESG	LENGTH
BO 5213490	6 - 8 mm	2,160 mm
BO 5281091	10 - 12 mm	2,160 mm

### TECHNICAL DETAILS

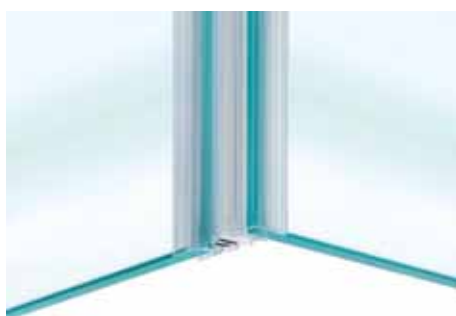
- Stop type: Swing and stop door
- Fastening type: Push on
- Material: Polyvinyl chloride (PVC)



### PLEASE NOTE

Quality product from Rehau Germany

## SHOWER DOOR SEAL WITH MAGNET 90° FOR SWING DOORS



This shower door seal with 90° magnetic profile is suitable for fixed glazing arranged at a 90° angle in combination with a swing door. The magnet ensures secure interlocking and makes it easier to close the door. The seal is simply pushed onto the edge of the glass.

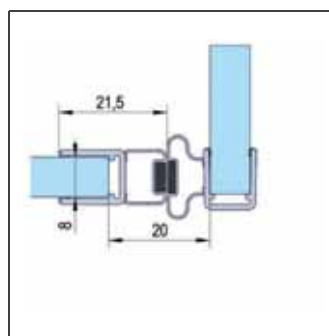
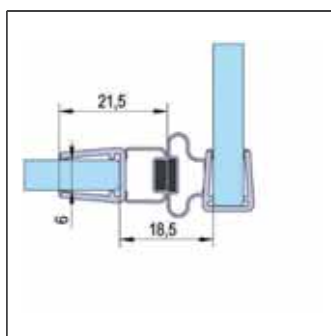
### YOUR BENEFITS

- High durability and UV resistance
- Highly transparent

ART NO.	GLASS THICKNESS ESG	LENGTH
BO 5281035	6 - 8 mm	2,000 mm
BO 5281036	6 - 8 mm	2,500 mm

### TECHNICAL DETAILS

- Stop type: Swing door
- Fastening type: Push on
- Angle: 90°
- Material: Polyvinyl chloride (PVC)
- Incl. magnet: Yes



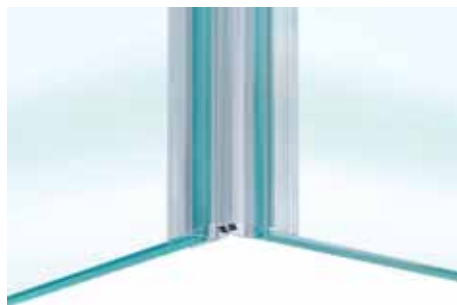
### INCLUDED IN DELIVERY

1 Pair Shower door seals

### PLEASE NOTE

Quality product from Rehau Germany

## SHOWER DOOR SEAL WITH MAGNET 90° FOR SINGLE-ACTION DOORS



Shower door seals with a 90° magnetic profile are suitable for both the combination of fixed glazing with a door and for corner entrances and are used exclusively for single-action doors. The magnet ensures secure interlocking and makes it easier to close the door.

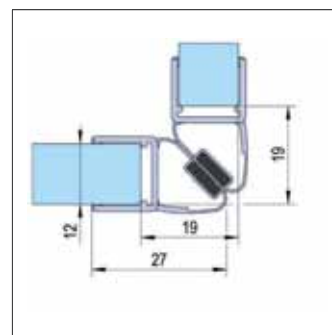
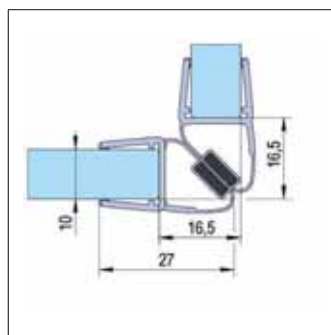
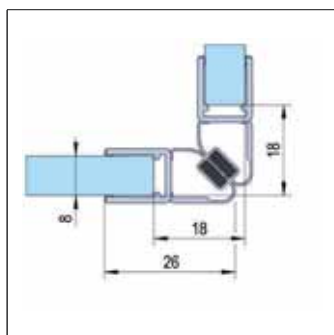
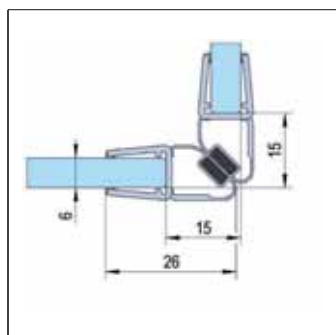
### YOUR BENEFITS

- High durability and UV resistance
- Highly transparent

ART NO.	GLASS THICKNESS ESG	LENGTH
BO 5213529	6 - 8 mm	2,160 mm
BO 5281031	10 - 12 mm	2,160 mm

### TECHNICAL DETAILS

- Stop type: Stop door
- Fastening type: Push on
- Angle: 90°
- Material: Polyvinyl chloride (PVC)
- Incl. magnet: Yes



### INCLUDED IN DELIVERY

1 Pair Shower door seal

### PLEASE NOTE

Quality product from Rehau Germany

## SHOWER DOOR SEAL WITH MAGNET 180° FOR SWING DOORS



This shower door seal with 180° magnetic profile is suitable for an aligned swing door in combination with fixed glazing. The magnet ensures secure interlocking and makes it easier to close the door. The seal is simply attached to the edge of the glass.

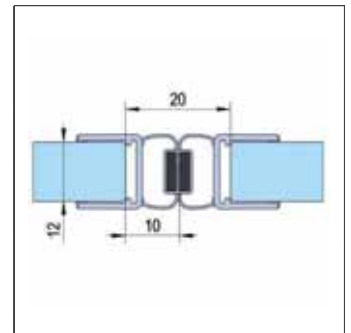
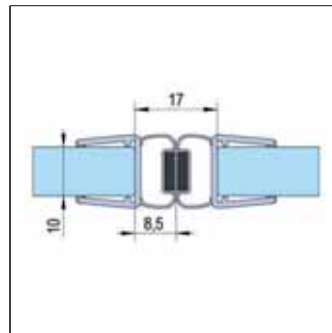
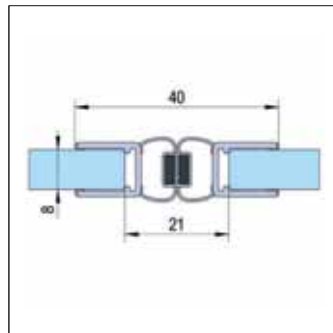
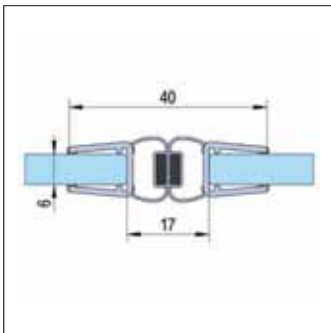
### YOUR BENEFITS

- High durability and UV resistance
- Highly transparent

ART NO.	GLASS THICKNESS ESG	LENGTH
<b>BO 5213530</b>	6 - 8 mm	2,160 mm
<b>BO 5281032</b>	10 - 12 mm	2,160 mm

### TECHNICAL DETAILS

- Stop type: Swing door
- Fastening type: Push on
- Angle: 180°
- Material: Polyvinyl chloride (PVC)
- Incl. magnet: Yes



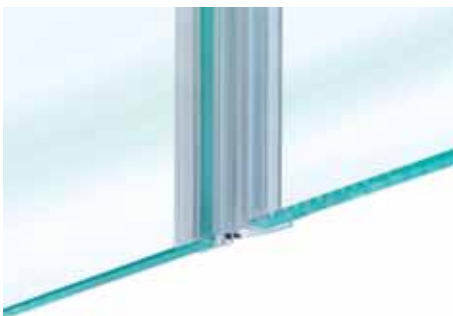
### INCLUDED IN DELIVERY

1 Pair Shower door seal

### PLEASE NOTE

Quality product from Rehau Germany

## SHOWER DOOR SEAL WITH MAGNET 180° FOR SINGLE-ACTION DOORS



This shower door seal with 180° magnetic profile is suitable for an aligned single-action door in combination with fixed glazing. The magnet ensures secure interlocking and makes it easier to close the door. The seal is simply pushed onto the edge of the glass.

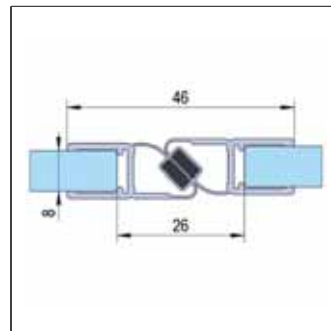
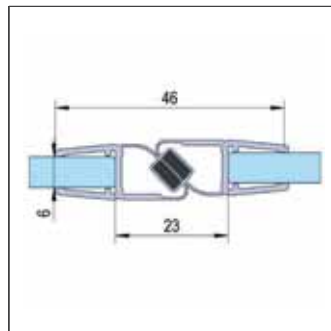
### YOUR BENEFITS

- High durability and UV resistance
- Highly transparent

ART NO.	GLASS THICKNESS ESG	LENGTH
<b>BK 69310</b>	6 - 8 mm	2,010 mm
<b>BK 69311</b>	6 - 8 mm	2,500 mm

### TECHNICAL DETAILS

- Stop type: Stop door
- Fastening type: Push on
- Angle: 180°
- Material: Polyvinyl chloride (PVC)
- Incl. magnet: Yes



### INCLUDED IN DELIVERY

1 Pair Shower door seal

### PLEASE NOTE

Quality product from Rehau Germany

## SHOWER DOOR SEAL WITH MAGNET 135°



This shower door seal with 135° magnetic profile is suitable for a single-action door in combination with fixed glazing. The magnet ensures secure interlocking and makes it easier to close the door.

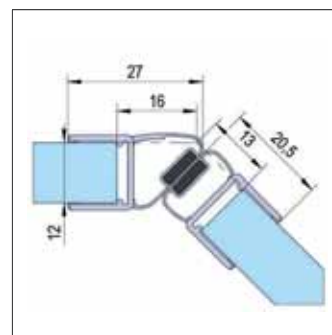
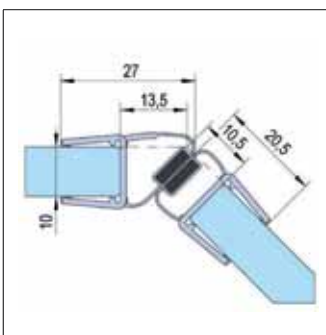
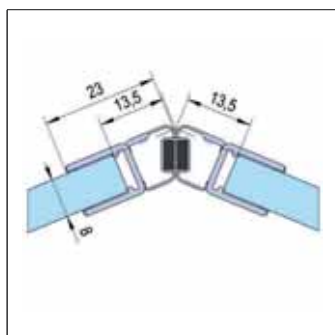
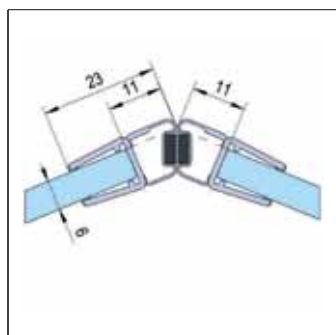
### YOUR BENEFITS

- High durability and UV resistance
- Highly transparent

ART NO.	GLASS THICKNESS ESG	LENGTH
BO 5213515	6 - 8 mm	2,160 mm
BO 5281016	10 - 12 mm	2,160 mm

### TECHNICAL DETAILS

- Stop type: Stop door
- Fastening type: Push on
- Angle: 135°
- Material: Polyvinyl chloride (PVC)
- Incl. magnet: Yes



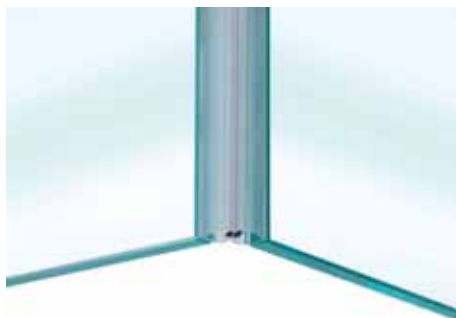
### INCLUDED IN DELIVERY

1 Pair Shower door seal

### PLEASE NOTE

Quality product from Rehau Germany

## SELF-ADHESIVE SHOWER DOOR SEAL, MAGNET 90° FOR HINGED DOOR



Shower door seals with 90° magnetic profile are suitable for fixed glazing arranged at a 90° angle as well as for corner entries and are used exclusively with single-action doors. The magnet ensures secure connection and makes it easier to close the door. The seal is self-adhesive with pre-mounted 3M adhesive tape.

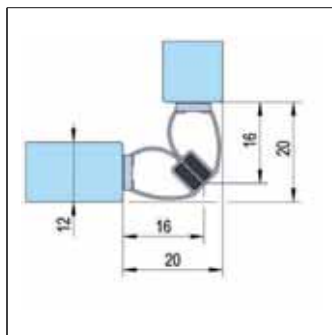
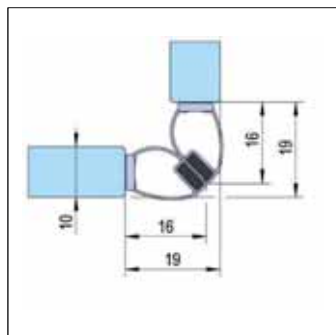
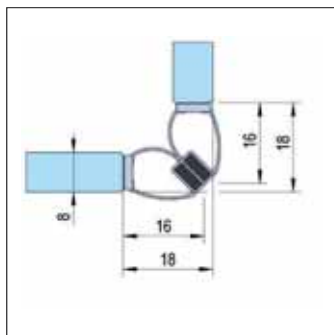
### YOUR BENEFITS

- High durability and UV resistance
- Highly transparent
- Durable bonding due to 3M adhesive tape

ART NO.	GLASS THICKNESS ESG	LENGTH
BK 69250	8 - 12 mm	2,500 mm

### TECHNICAL DETAILS

- Stop type: Stop door
- Fastening type: Self-adhesive
- Angle: 90°
- Material: Polyvinyl chloride (PVC)
- Incl. magnet: Yes



### INCLUDED IN DELIVERY

1 Pair Shower door seals

### PLEASE NOTE

Quality product from Rehau Germany

## SELF-ADHESIVE SHOWER DOOR SEAL WITH MAGNET 180° FOR SINGLE-ACTION DOORS



This shower door seal with 180° magnetic profile is suitable for aligned fixed glazing in combination with a swing door. The magnet ensures secure locking and makes it easier to close the door. The seal is self-adhesive with pre-mounted 3M adhesive tape.

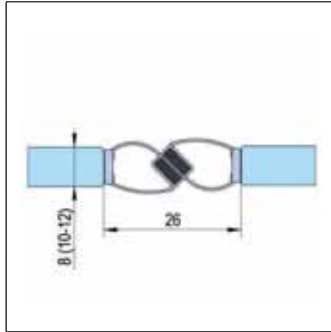
### YOUR BENEFITS

- High durability and UV resistance
- Highly transparent
- Durable bonding due to 3M adhesive tape

ART NO.	GLASS THICKNESS ESG	LENGTH
BK 69260	8 - 12 mm	2,500 mm

### TECHNICAL DETAILS

- Stop type: Stop door
- Fastening type: Self-adhesive
- Angle: 180°
- Material: Polyvinyl chloride (PVC)
- Incl. magnet: Yes



### INCLUDED IN DELIVERY

1 Pair Shower door seal

### PLEASE NOTE

Quality product from Rehau Germany

## SELF-ADHESIVE SHOWER DOOR SEAL WITH BELLOWS

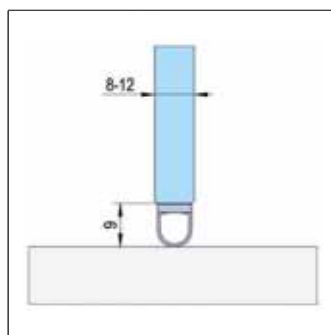


Shower door seals with bellows are suitable for both the handle side and the hinge side and are used especially for swing doors due to their symmetrical shape. The seal is self-adhesive with pre-mounted 3M adhesive tape.

### YOUR BENEFITS

- High durability and UV resistance
- Highly transparent
- Durable bonding due to 3M adhesive tape

ART NO.	GLASS THICKNESS ESG	LENGTH
BK 69230	8 - 12 mm	2,500 mm



### TECHNICAL DETAILS

- Stop type: Swing and stop door
- Fastening type: Self-adhesive
- Material: Polyvinyl chloride (PVC)

### PLEASE NOTE

Quality product from Rehau Germany

## SELF-ADHESIVE SHOWER DOOR SEAL WITH LOWER BELLOWS



Shower door seals with lower bellows are particularly suitable for the underside and are used with both swing and single-action doors. The seal is self-adhesive with pre-mounted 3M adhesive tape.

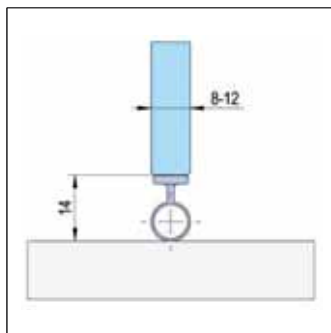
### YOUR BENEFITS

- High durability and UV resistance
- Highly transparent
- Durable bonding due to 3M adhesive tape

ART NO.	GLASS THICKNESS ESG	LENGTH
BK 69240	8 - 12 mm	2,500 mm

### TECHNICAL DETAILS

- Stop type: Swing and stop door
- Fastening type: Self-adhesive
- Material: Polyvinyl chloride (PVC)



### PLEASE NOTE

Quality product from Rehau Germany

## SELF-ADHESIVE SHOWER DOOR SEAL, WATER DEFLECTOR AND BELLOWS

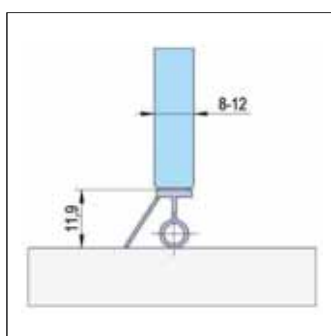


Shower door seals with water deflector and lower bellows are suitable for the underside of the door and are used for both hinged and swing doors. The seal is simply glued to the edge of the glass. Self-adhesive seals have a pre-mounted 3M adhesive tape.

### YOUR BENEFITS

- Highly transparent

ART NO.	GLASS THICKNESS ESG	LENGTH
BO 5200335	8 - 12 mm	2,500 mm



### TECHNICAL DETAILS

- Stop type: Swing and stop door
- Fastening type: Self-adhesive
- Material: Polyvinyl chloride (PVC)



## SELF-ADHESIVE SHOWER DOOR SEAL WITH LATERAL SEALING LIP



Shower door seals with water deflector are suitable for both the hinge side and the underside and are used for both single-action and swing doors. The seal is simply glued onto the edge of the glass. Self-adhesive seals have a pre-mounted 3M adhesive tape.

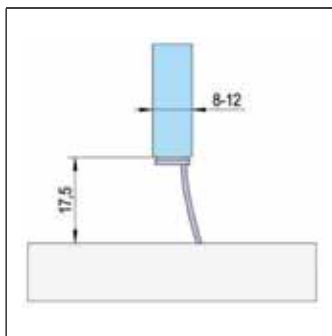
### YOUR BENEFITS

- Highly transparent
- Self-adhesive

ART NO.	GLASS THICKNESS ESG	LENGTH
B0 5200336	8 - 12 mm	2,500 mm

### TECHNICAL DETAILS

- Stop type: Swing and stop door
- Fastening type: Self-adhesive
- Material: Polyvinyl chloride (PVC)



## THRESHOLD ALUMINIUM

This optional aluminium threshold reduces water leakage under the shower door. It also allows the use of a shower door seal without floor contact for optimal freedom of movement of the door.

### YOUR BENEFITS

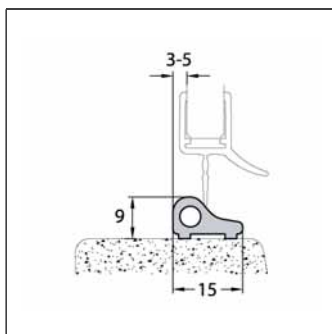
- Reduced water leakage under the door



ART NO.	COLOUR SCHEME	LENGTH
BK 6907031	Silver colour polished shiny	1,800 mm
BK 6907082	White RAL 9010 powder coated	1,800 mm

### TECHNICAL DETAILS

- Material: Aluminium
- Width: 15 mm
- Height: 9 mm



### PLEASE NOTE

Please order end caps and sealing profiles separately

## ACRYLIC THRESHOLD



This optional transparent acrylic threshold reduces water leakage under the shower door. It also allows the use of a shower door seal without floor contact for optimal freedom of movement of the door.

### YOUR BENEFITS

- Reduced water leakage under the door

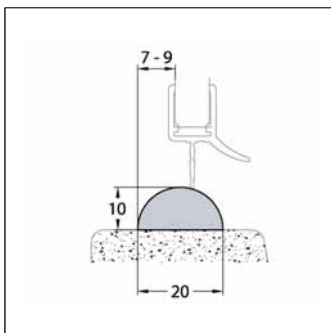
ART NO.	WIDTH	HEIGHT	LENGTH
BK 69080	20 mm	10 mm	1,000 mm
BK 69081	20 mm	10 mm	2,000 mm

### TECHNICAL DETAILS

- Material: Acrylic
- Colour scheme: Transparent

### PLEASE NOTE

Please order sealing profiles separately.



## ACRYLIC THRESHOLD



This optional transparent acrylic threshold reduces water leakage under the shower door. It also allows the use of a shower door seal without floor contact for optimal freedom of movement of the door.

### YOUR BENEFITS

- Reduced water leakage under the door

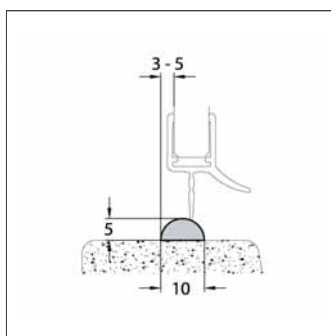
ART NO.	WIDTH	HEIGHT	LENGTH
BK 69130	10 mm	5 mm	1,000 mm
BK 69131	10 mm	5 mm	2,000 mm

### TECHNICAL DETAILS

- Material: Acrylic
- Colour scheme: Transparent

### PLEASE NOTE

Please order sealing profiles separately.



## END CAP SET LEFT AND RIGHT AND 90° CORNER

The set, consisting of a left and a right end cap and a 90° corner, fits perfectly with the BK 6907031 / BK 6907082 splash guard. The splash guard reduces water leakage under the shower door.



ART NO.	COLOUR SCHEME
<b>BO 5281000</b>	Chrome-plated shiny
<b>BO 5281001</b>	White RAL 9010 powder coated

### INCLUDED IN DELIVERY

1 Set End caps left and right  
1 Piece 90° corner

### TECHNICAL DETAILS

- Material: Plastic

## SUPPORT PROFILE FOR SHOWER DOOR SEALING STRIPS



The pre-drilled support profile is used to hold a shower door sealing strips.

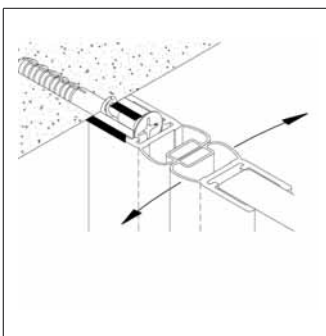
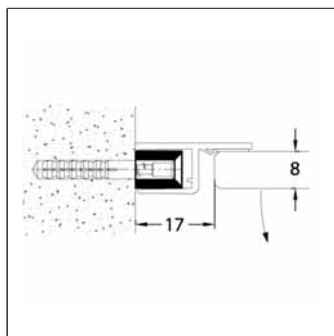
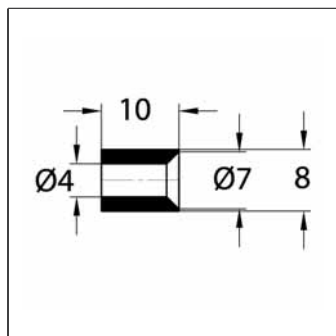
### YOUR BENEFITS

- Pre-drilled
- Allows sealing strips to be attached to the wall side

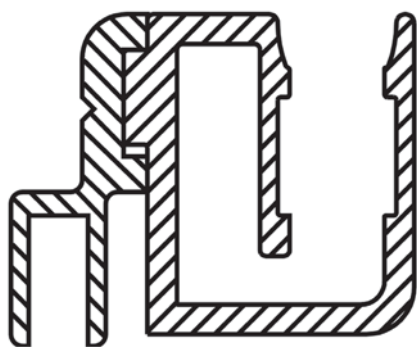
ART NO.	COLOUR SCHEME	LENGTH
<b>BO 5281040</b>	Anodised E3, polished	2,010 mm
<b>BO 5281042</b>	Anodised E3, polished	2,500 mm

### TECHNICAL DETAILS

- Material: Aluminium
- Mounting type: Recess solution



## BATH ATTACHMENT PROFILE AND MAGNETIC RAIL SUPPORT



Due to the combination of the bath attachment profile and the magnetic strip support, the magnetic seal runs through from top to bottom in one piece. This allows the shower door to be kept closed.

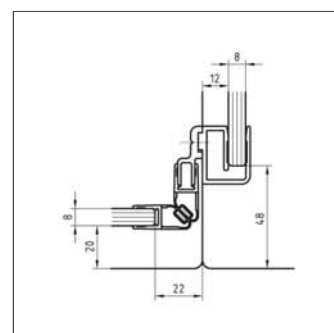
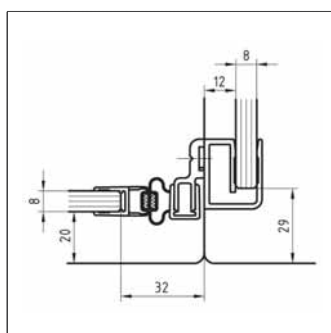
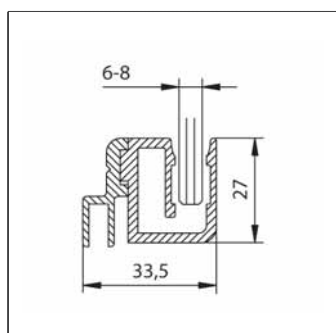
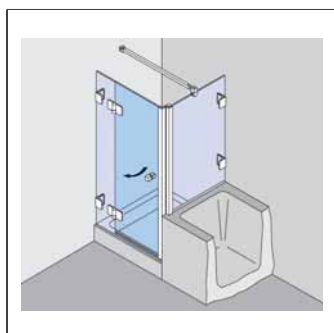
### YOUR BENEFITS

- Suitable for sealing strips BO 5213529 and BO 5281035
- Enables the combination of bath and shower

ART NO.	COLOUR SCHEME	LENGTH
BO 5281044	Anodised E3, polished	2,000 mm

### TECHNICAL DETAILS

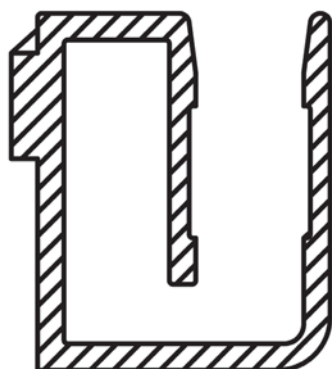
- Material: Aluminium
- Glass thickness: 6 - 8 mm



### INCLUDED IN DELIVERY

- 1 Piece BO 5281033 Magnetic bar support
- 1 Piece BO 5281045 Bath attachment profile

## BATH ATTACHMENT PROFILE 90°



The bath attachment profile enables the combination of shower and bath.

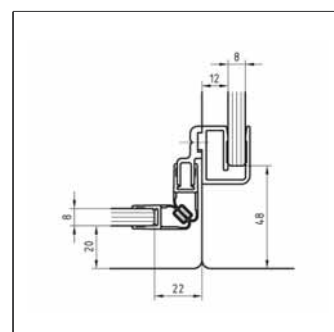
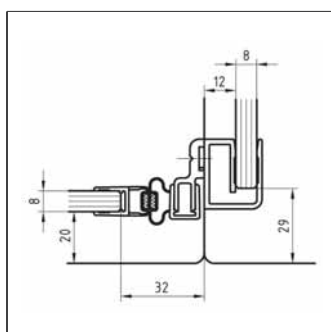
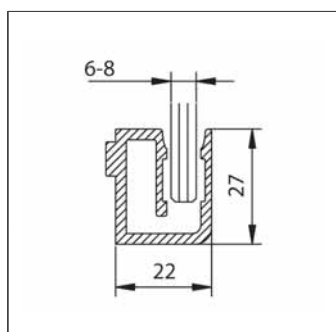
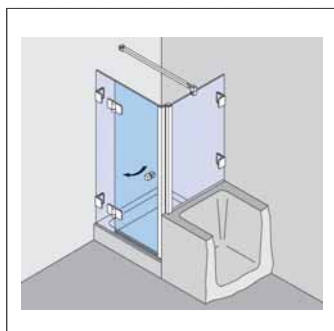
### YOUR BENEFITS

- Suitable for magnetic support profile BO 5281033
- Enables the combination of bath and shower

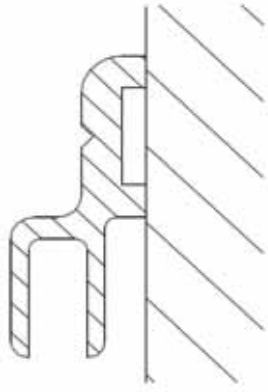
ART NO.	COLOUR SCHEME	LENGTH
BO 5281045	Anodised E3, polished	2,000 mm

### TECHNICAL DETAILS

- Material: Aluminium
- Glass thickness: 6 - 8 mm



# MAGNETIC STRIP SUPPORT RECESS SOLUTION



The magnetic strip support allows a magnetic seal to be fitted for recess situations.

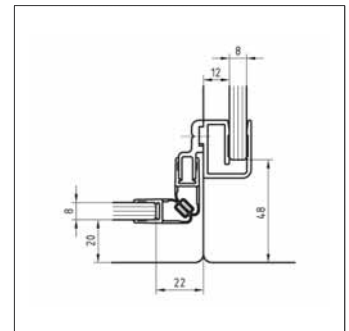
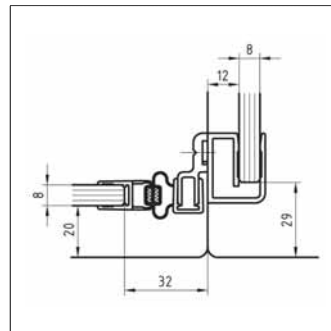
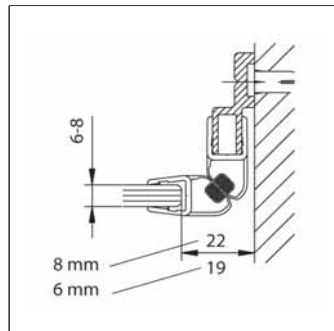
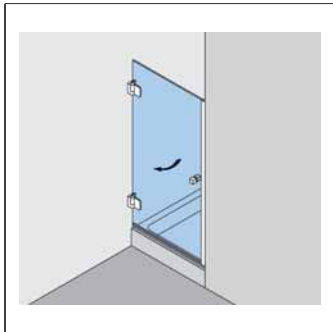
## YOUR BENEFITS

- Suitable for sealing strips B0 5213529 and B0 5281035

ART NO.	COLOUR SCHEME	LENGTH
B0 5281033	Anodised E3, polished	2,000 mm

## TECHNICAL DETAILS

- Material: Aluminium



## INCLUDED IN DELIVERY

- 1 Piece Magnetic strip holder
- Screws
- Cover caps

# Glazing profiles

Always the right profile: At Bohle, you can choose from a large selection of glazing and mirror profiles for protection and visual enhancement. In addition to many different dimensions, you will also find numerous finishes for every style and every taste.

## U-PROFILE 10 X 10 MM



The right profile for every need: Bohle offers you a large, precisely fitting selection of U-profiles for visual enhancement in interior design. You can rely on high quality and good workmanship. All profiles are hard-wearing and suitable for use in damp rooms.

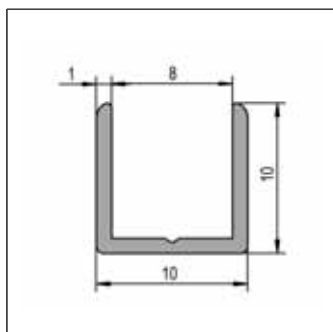
### YOUR BENEFITS

- Drill guide in the bottom of the profile
- Corrosion-resistant and therefore suitable for use in bathrooms and kitchens
- Hard-wearing

### TECHNICAL DETAILS

- Glass thickness: 6 - 6.76 mm
- Width: 10 mm
- Height: 10 mm
- Material thickness: 1 mm
- Material: Aluminium

ART NO.	COLOUR SCHEME	LENGTH
BO 5201558	Aluminium colour C0 anodised E3, polished shiny	2,500 mm
BO 5201557	Aluminium colour C0 anodised E6, stained matt	2,500 mm
BO 5201559	Stainless steel colour C31 anodised E4, ground and brushed matt	2,500 mm
BO 5201561	Aluminium colour C0 anodised E6, stained matt	5,000 mm
BO 5201563	Stainless steel colour C31 anodised E4, ground and brushed matt	5,000 mm
BO 5201562	Chrome-plated shiny	5,000 mm
BO 5201560	Mill finish	5,000 mm



## U-PROFILE 15 X 15 MM



The right profile for every need: Bohle offers you a large, precisely fitting selection of U-profiles for visual enhancement in interior design. You can rely on high quality and good workmanship. All profiles are hard-wearing and suitable for use in damp rooms.

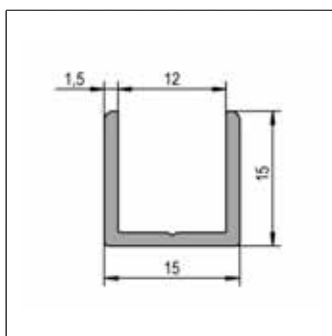
### YOUR BENEFITS

- Drill guide in the bottom of the profile
- Corrosion-resistant and therefore suitable for use in bathrooms and kitchens
- Hard-wearing

### TECHNICAL DETAILS

- Glass thickness: 8 - 10.76 mm
- Width: 15 mm
- Height: 15 mm
- Material thickness: 1.5 mm
- Material: Aluminium

ART NO.	COLOUR SCHEME	LENGTH
BO 5201566	Aluminium colour C0 anodised E3, polished shiny	2,500 mm
BO 5201564	Aluminium colour C0 anodised E6, stained matt	2,500 mm
BO 5201565	Stainless steel colour C31 anodised E4, ground and brushed matt	2,500 mm
BO 5201570B	Black C35 anodised E6, stained matt	2,500 mm
BO 5201567	Aluminium colour C0 anodised E3, polished shiny	5,000 mm
BO 5201571	Aluminium colour C0 anodised E6, stained matt	5,000 mm
BO 5201573	Stainless steel colour C31 anodised E4, ground and brushed	5,000 mm
BO 5201572	Chrome-plated shiny	5,000 mm
BO 5201570	Mill finish	5,000 mm



## U-PROFILE 15 X 15 MM, STAINLESS STEEL

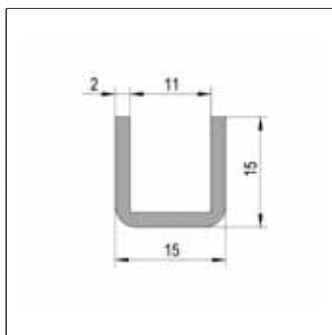


The right profile for every requirement: Bohle offers you a large selection of customised U-profiles for visual enhancement in interior fittings. You can rely on high quality and good workmanship. All profiles are hard-wearing and suitable for damp rooms.

### YOUR BENEFITS

- Corrosion-resistant and therefore suitable for use in bathrooms and kitchens
- Hard-wearing

ART NO.	COLOUR SCHEME	LENGTH
BO 5201574	Polished shiny	5,000 mm
BO 5201575	Brushed matt	5,000 mm



### TECHNICAL DETAILS

- Glass thickness: 8 - 10.76 mm
- Width: 15 mm
- Height: 15 mm
- Material thickness: 2 mm
- Material: Stainless steel V2A

## U-PROFILE 20 X 13 MM



The right profile for every need: Bohle offers you a large, precisely fitting selection of U-profiles for visual enhancement in interior design. You can rely on high quality and good workmanship. All profiles are hard-wearing and suitable for use in damp rooms.

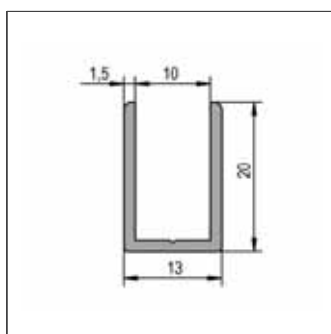
### YOUR BENEFITS

- Drill guide in the bottom of the profile
- Corrosion-resistant and therefore suitable for use in bathrooms and kitchens
- Hard-wearing

### TECHNICAL DETAILS

- Glass thickness: 6 - 8.76 mm
- Width: 13 mm
- Height: 20 mm
- Material thickness: 1.5 mm
- Material: Aluminium

ART NO.	COLOUR SCHEME	LENGTH
BO 6703412	Aluminium colour C0 anodised E3, polished shiny	2,150 mm
BO 6703430	Aluminium colour C0 anodised E3, polished shiny	2,500 mm
BO 6703418	Aluminium colour C0 anodised E6, stained matt	2,500 mm
BO 6703419	Stainless steel colour C31 anodised E4, ground and brushed matt	2,500 mm
BO 6703464B	Black C35 anodised E6, stained matt	2,500 mm
BO 6703437	Aluminium colour C0 anodised E3, polished shiny	5,000 mm
BO 6703436	Aluminium colour C0 anodised E6, stained matt	5,000 mm
BO 6703438	Stainless steel colour C31 anodised E4, ground and brushed matt	5,000 mm
BO 6703463	Chrome-plated shiny	5,000 mm
BO 6703464	Mill finish	5,000 mm





## U-PROFILE 20 X 15 MM



The right profile for every need: Bohle offers you a large, precisely fitting selection of U-profiles for visual enhancement in interior design. You can rely on high quality and good workmanship. All profiles are hard-wearing and suitable for use in damp rooms.

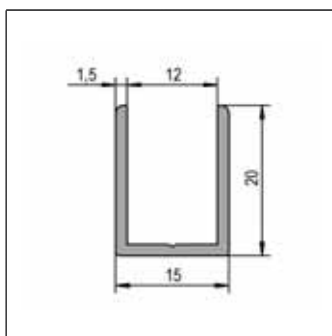
### YOUR BENEFITS

- Drill guide in the bottom of the profile
- Corrosion-resistant and therefore suitable for use in bathrooms and kitchens
- Hard-wearing

### TECHNICAL DETAILS

- Glass thickness: 8 - 10.76 mm
- Width: 15 mm
- Height: 20 mm
- Material thickness: 1.5 mm
- Material: Aluminium

ART NO.	COLOUR SCHEME	LENGTH
BO 6703424	Aluminium colour C0 anodised E3, polished shiny	2,150 mm
BO 6703431	Aluminium colour C0 anodised E3, polished shiny	2,500 mm
BO 6703429	Aluminium colour C0 anodised E6, stained matt	2,500 mm
BO 6703432	Stainless steel colour C31 anodised E4, ground and brushed matt	2,500 mm
BO 6703427	Aluminium colour C0 anodised E3, polished shiny	5,000 mm
BO 6703426	Aluminium colour C0 anodised E6, stained matt	5,000 mm
BO 6703428	Stainless steel colour C31 anodised E4, ground and brushed matt	5,000 mm
BO 6703466	Chrome-plated shiny	5,000 mm
BO 6703465	Mill finish	5,000 mm



## END CAP SET U-PROFILES



End caps for a high-quality finish to match U-profiles 20 x 15 mm and 20 x 13 mm.

### YOUR BENEFITS

- Clean finish

ART NO.	COLOUR SCHEME	WIDTH	HEIGHT
BO 6703461	Silver colour	20 mm	13 mm
BO 6703462	Silver colour	20 mm	15 mm

### PLEASE NOTE

We recommend fixing the end caps with commercially available silicone or double-sided adhesive tape.

### INCLUDED IN DELIVERY

10 Pieces

### TECHNICAL DETAILS

- Material: Plastic (ABS)

## U-PROFILE 20 X 17 MM



The right profile for every need: Bohle offers you a large, precisely fitting selection of U-profiles for visual enhancement in interior design. You can rely on high quality and good workmanship. All profiles are hard-wearing and suitable for use in damp rooms.

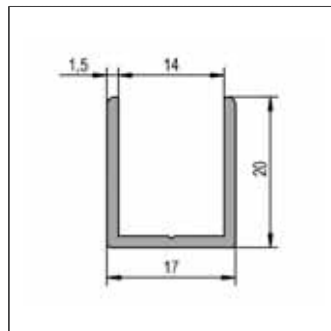
### YOUR BENEFITS

- Drill guide in the bottom of the profile
- Corrosion-resistant and therefore suitable for use in bathrooms and kitchens
- Hard-wearing

### TECHNICAL DETAILS

- Glass thickness: 10 - 12.76 mm
- Width: 17 mm
- Height: 20 mm
- Material thickness: 1.5 mm
- Material: Aluminium

ART NO.	COLOUR SCHEME	LENGTH
BO 6703444	Aluminium colour C0 anodised E3, polished shiny	2,150 mm
BO 6703433	Aluminium colour C0 anodised E3, polished shiny	2,500 mm
BO 6703434	Aluminium colour C0 anodised E6, stained matt	2,500 mm
BO 6703435	Stainless steel colour C31 anodised E4, ground and brushed matt	2,500 mm
BO 5201580B	Black C35 anodised E6, stained matt	2,500 mm
BO 6703447	Aluminium colour C0 anodised E3, polished shiny	5,000 mm
BO 6703446	Aluminium colour C0 anodised E6, stained matt	5,000 mm
BO 6703448	Stainless steel colour C31 anodised E4, ground and brushed matt	5,000 mm
BO 5201582	Chrome-plated shiny	5,000 mm
BO 5201580	Mill finish	5,000 mm



## U-PROFILE 20 X 20 MM



The right profile for every need: Bohle offers you a large, precisely fitting selection of U-profiles for visual enhancement in interior design. You can rely on high quality and good workmanship. All profiles are hard-wearing and suitable for use in damp rooms.

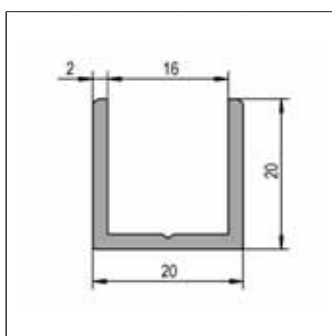
### YOUR BENEFITS

- Drill guide in the bottom of the profile
- Corrosion-resistant and therefore suitable for use in bathrooms and kitchens
- Hard-wearing

### TECHNICAL DETAILS

- Glass thickness: 10 - 15 mm
- Width: 20 mm
- Height: 20 mm
- Material thickness: 2 mm
- Material: Aluminium

ART NO.	COLOUR SCHEME	LENGTH
BO 5201591	Aluminium colour C0 anodised E6, stained matt	5,000 mm
BO 5201593	Stainless steel colour C31 anodised E4, ground and brushed matt	5,000 mm
BO 5201592	Chrome-plated shiny	5,000 mm
BO 5201590	Mill finish	5,000 mm



## U-PROFILE 20 X 20 MM, STAINLESS STEEL



The right profile for every requirement: Bohle offers you a large selection of customised U-profiles for visual enhancement in interior fittings. You can rely on high quality and good workmanship. All profiles are hard-wearing and suitable for damp rooms.

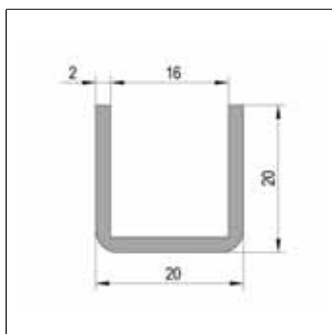
### YOUR BENEFITS

- Corrosion-resistant and therefore suitable for use in bathrooms and kitchens
- Hard-wearing

ART NO.	COLOUR SCHEME	LENGTH
BO 5201594	Polished shiny	5,000 mm
BO 5201595	Brushed matt	5,000 mm

### TECHNICAL DETAILS

- Glass thickness: 10 - 15 mm
- Width: 20 mm
- Height: 20 mm
- Material thickness: 2 mm
- Material: Stainless steel V2A



## U-PROFILE 30 X 20 MM



The right profile for every need: Bohle offers you a large, precisely fitting selection of U-profiles for visual enhancement in interior design. You can rely on high quality and good workmanship. All profiles are hard-wearing and suitable for use in damp rooms.

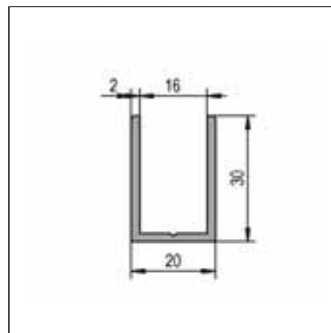
### YOUR BENEFITS

- Drill guide in the bottom of the profile
- Corrosion-resistant and therefore suitable for use in bathrooms and kitchens
- Hard-wearing

### TECHNICAL DETAILS

- Glass thickness: 10 - 15 mm
- Width: 20 mm
- Height: 30 mm
- Material thickness: 2 mm
- Material: Aluminium

ART NO.	COLOUR SCHEME	LENGTH
BO 5201621	Aluminium colour C0 anodised E6, stained matt	5,000 mm
BO 5201623	Stainless steel colour C31 anodised E4, ground and brushed matt	5,000 mm
BO 5201622	Chrome-plated shiny	5,000 mm
BO 5201620	Mill finish	5,000 mm



## U-PROFILE 40 X 20 MM



The right profile for every need: Bohle offers you a large, precisely fitting selection of U-profiles for visual enhancement in interior design. You can rely on high quality and good workmanship. All profiles are hard-wearing and suitable for use in damp rooms.

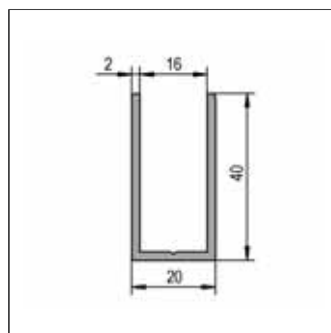
### YOUR BENEFITS

- Drill guide in the bottom of the profile
- Corrosion-resistant and therefore suitable for use in bathrooms and kitchens
- Hard-wearing

### TECHNICAL DETAILS

- Glass thickness: 10 - 15 mm
- Width: 20 mm
- Height: 40 mm
- Material thickness: 2 mm
- Material: Aluminium

ART NO.	COLOUR SCHEME	LENGTH
BO 5201601	Aluminium colour C0 anodised E6, stained matt	5,000 mm
BO 5201603	Stainless steel colour C31 anodised E4, ground and brushed matt	5,000 mm
BO 5201602	Chrome-plated shiny	5,000 mm
BO 5201600	Mill finish	5,000 mm





---

# Mirror systems

---

Mirror mounting	236
Mirror profiles	250
Mirror demisting	254

# Mirror mounting

## Better safe than sorry!

Bohle's mirror product range is all about one thing: safety. Do not compromise when it comes to fixing small and large mirrors, regardless of whether you use mirror plates, adhesive tape or adhesive.



## Mounting options

Each fixing method has its advantages and disadvantages. Mirror plates, for example, have a decisive advantage over adhesives or adhesive tapes in that they allow mirrors to be dismantled, i.e. they can be easily removed or better aligned using eccentric discs. Adhesives and adhesive tapes are particularly popular for the permanent attachment of mirrors.

## You can rely on it!

Bohle AG has been a certified specialist bonding company since 2022. Strict DIN 2304 specifications determine our manufacturing process for mirror sheets, which has been approved by the Bonding Technology Centre. For example, our production room is contamination-free and guarantees consistent conditions at all times thanks to controlled air conditioning - precisely tailored to the working and bonding process. Our employees are trained with an additional bonding technology qualification.



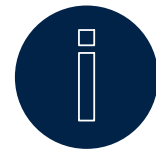
### Certification

Bohle is a certified specialist bonding company according to DIN 2304



### Short distances

To keep emissions as low as possible, we work with suppliers from the local area (< 90 km). The mirror adhesive Xtragrip® MS Polymer is also EC1Plus R certified.



### Large selection

We will answer your questions and recommend the right type of product for your project.

## For expert advice and if you have questions, please contact us.



Your Bohle Team:  
@ info@bohle.ltd.uk  
@ 0800 616151

Workshop supplies:  
@ glassworkshop-supplies@bohle.de  
@ +49 (0) 2129 5568 901



## SAFECLIX® 08 MIRROR MOUNTING SET

safeclix® supplies mirror plates and fixing accessories ready-packed in a set. Mirrors are mounted so that the fixings are invisible to the customer, but the mirror can be removed at any time. The Xtramount® adhesive tape used is high quality and durable. No special installation tools are required.



### TECHNICAL DETAILS

- Self-adhesive: Yes
- Suitable for damp locations: Yes
- Mirror removable: Yes
- Suitable for: Mirrors according to DIN EN 1036
- Un-hinge protection: Push button

### YOUR BENEFITS

- Highest product standards thanks to Bohle being a certified specialist bonding company
- Quick and easy installation
- Suitable for a mirror size of up to 0.8 m<sup>2</sup> with a total weight of 12 kg

ART NO.	LOAD CAPACITY	WALL DISTANCE
BO 5208210	12 kg	14 mm

### PLEASE NOTE

Not suitable for use on splinter protection films or adhesive tapes. These must be cut out in the area of the plates.

### INCLUDED IN DELIVERY

- 2 Pieces Mirror plate 100 x 100 mm with Xtramount® adhesive tape
- 2 Pieces Eccentric disc
- 2 Pieces Press stud
- 6 Pieces Spacer
- 4 Pieces Screw  $\varnothing$  4 x 50 mm
- 4 Pieces Multi-purpose dowel  $\varnothing$  6 x 36 mm
- 1 Piece Assembly instructions

## SAFECLIX® 16 MIRROR MOUNTING SET

safeclix® supplies mirror plates and fixing accessories ready-packed in a set. Mirrors are mounted so that the fixings are invisible to the customer, but the mirror can be removed at any time. The Xtramount® adhesive tape used is high quality and durable. No special installation tools are required.



### TECHNICAL DETAILS

- Self-adhesive: Yes
- Suitable for damp locations: Yes
- Mirror removable: Yes
- Suitable for: Mirrors according to DIN EN 1036
- Un-hinge protection: Push button

### YOUR BENEFITS

- Highest product standards thanks to Bohle being a certified specialist bonding company
- Quick and easy installation
- Suitable for a mirror size of up to 1.6 m<sup>2</sup> with a total weight of 24 kg

ART NO.	LOAD CAPACITY	WALL DISTANCE
BO 5208211	24 kg	14 mm

### PLEASE NOTE

Not suitable for use on splinter protection films or adhesive tapes. These must be cut out in the area of the plates.

### INCLUDED IN DELIVERY

- 2 Pieces Mirror plate 200 x 100 mm with Xtramount® adhesive tape
- 2 Pieces Eccentric disc
- 2 Pieces Press stud
- 6 Pieces Spacer
- 4 Pieces Screw  $\varnothing$  4 x 50 mm
- 4 Pieces Multi-purpose dowel  $\varnothing$  6 x 36 mm
- 1 Piece Assembly instructions

## SAFECLIX® 24 MIRROR MOUNTING SET

safeclix® supplies mirror plates and fixing accessories ready-packed in a set. Mirrors are mounted so that the fixings are invisible to the customer, but the mirror can be removed at any time. The Xtramount® adhesive tape used is high quality and durable. No special installation tools are required.

### YOUR BENEFITS

- Highest product standards thanks to Bohle being a certified specialist bonding company
- Quick and easy installation
- Suitable for a mirror size of up to 2.4 m<sup>2</sup> with a total weight of 36 kg



### TECHNICAL DETAILS

- Self-adhesive: Yes
- Suitable for damp locations: Yes
- Mirror removable: Yes
- Suitable for: Mirrors according to DIN EN 1036
- Un-hinge protection: Push button

ART NO.	LOAD CAPACITY	WALL DISTANCE
BO 5208213	36 kg	14 mm

### PLEASE NOTE

Not suitable for use on splinter protection films or adhesive tapes. These must be cut out in the area of the plates.

### INCLUDED IN DELIVERY

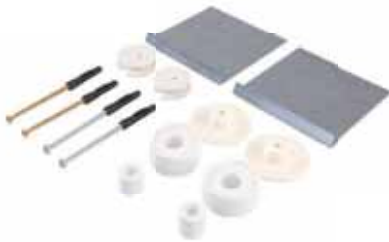
- 2 Pieces Mirror plate 100 x 300 mm with Xtramount® adhesive tape
- 2 Pieces Eccentric disc
- 2 Pieces Press stud
- 6 Pieces Spacer
- 4 Pieces Screw  $\varnothing$  4 x 70 mm
- 4 Pieces Dowel  $\varnothing$  6 x 36 mm
- 1 Piece Assembly instructions

## SAFECLIX® 08 DISTANCE MIRROR MOUNTING SET

safeclix® supplies mirror plates and fixing accessories ready-packed in a set. Mirrors are mounted so that the fixings are invisible to the customer, but the mirror can be removed at any time. The Xtramount® adhesive tape used is high quality and durable. No special installation tools are required.

### YOUR BENEFITS

- Highest product standards thanks to Bohle being a certified specialist bonding company
- Quick and easy installation
- Suitable for a mirror size of up to 0.8 m<sup>2</sup> with a total weight of 12 kg



### TECHNICAL DETAILS

- Self-adhesive: Yes
- Suitable for damp locations: Yes
- Mirror removable: Yes
- Suitable for: Mirrors according to DIN EN 1036
- Un-hinge protection: Push button

ART NO.	LOAD CAPACITY	WALL DISTANCE
BO 5208216	12 kg	30 mm

### PLEASE NOTE

Not suitable for use on splinter protection films or adhesive tapes. These must be cut out in the area of the plates.

### INCLUDED IN DELIVERY

- 2 Pieces Mirror plate 100 x 100 mm with Xtramount® adhesive tape
- 2 Pieces Eccentric disc
- 2 Pieces Press stud
- 4 Pieces Wall spacer
- 4 Pieces Screw  $\varnothing$  4 x 70 mm
- 4 Pieces Dowel  $\varnothing$  6 x 36 mm
- 1 Piece Assembly instructions

## SAFELIX® 16 DISTANCE MIRROR MOUNTING SET



### TECHNICAL DETAILS

- Self-adhesive: Yes
- Suitable for damp locations: Yes
- Mirror removable: Yes
- Suitable for: Mirrors according to DIN EN 1036
- Un-hinge protection: Push button

safelix® supplies mirror plates and fixing accessories ready-packed in a set. Mirrors are mounted so that the fixings are invisible to the customer, but the mirror can be removed at any time. The Xtramount® adhesive tape used is high quality and durable. No special installation tools are required.

### YOUR BENEFITS

- Highest product standards thanks to Bohle being a certified specialist bonding company
- Quick and easy installation
- Suitable for a mirror size of up to 1.6 m<sup>2</sup> with a total weight of 24 kg

ART NO.	LOAD CAPACITY	WALL DISTANCE
BO 5208214	24 kg	30 mm

### PLEASE NOTE

Not suitable for use on splinter protection films or adhesive tapes. These must be cut out in the area of the plates.

### INCLUDED IN DELIVERY

- 2 Pieces Mirror plate 100 x 200 mm with Xtramount® adhesive tape
- 2 Pieces Eccentric disc
- 2 Pieces Press stud
- 4 Pieces Wall spacer
- 4 Pieces Screw ø 4 x 70 mm
- 4 Pieces Dowel ø 6 x 36 mm
- 1 Piece Assembly instructions

## SAFIFIX® 08 MIRROR MOUNTING SET



### TECHNICAL DETAILS

- Self-adhesive: Yes
- Suitable for damp locations: Yes
- Mirror removable: Yes
- Suitable for: Mirrors according to DIN EN 1036
- Un-hinge protection: None

safifix® supplies mirror plates and fixing accessories ready-packed in a set. Mirrors are mounted so that the fixings are not visible, but the mirror can be removed at any time. The Xtramount® adhesive tape used is high quality and durable. No special tools are required for installation.

### YOUR BENEFITS

- Highest product standards thanks to Bohle as a certified specialist bonding company
- Quick and easy assembly
- Suitable for a mirror size up to 0.8 m<sup>2</sup>, with a total weight of 12 kg

ART NO.	LOAD CAPACITY
BO 5208220	12 kg

### PLEASE NOTE

Not suitable for use on splinter protection films or adhesive tapes. These must be cut out in the area of the plates.

### INCLUDED IN DELIVERY

- 2 Pieces Mirror plates 100 x 100 mm with Xtramount® adhesive tape
- 2 Pieces Eccentric discs
- 2 Pieces Spacers
- 2 Pieces Countersunk head screws ø 4 x 50 mm
- 2 Pieces Multi-purpose plugs ø 6 x 36 mm

## SAFEMAX® 08 MIRROR MOUNTING SET

safemax® supplies mirror plates and fixing accessories ready-packed in a set. Mirrors can be fixed invisibly and can be unhooked at any time. The Xtramount® adhesive tape used is high quality and durable. Special tools are not required for mounting.



### TECHNICAL DETAILS

- Self-adhesive: Yes
- Suitable for damp locations: Yes
- Mirror removable: Yes
- Suitable for: Mirrors according to DIN EN 1036
- Un-hinge protection: Magnet

### YOUR BENEFITS

- Highest product standards thanks to Bohle as a certified specialist bonding company
- Quick and easy assembly
- Suitable for a mirror size of up to 0.8 m<sup>2</sup> with a total weight of 12 kg

ART NO.	LOAD CAPACITY
BO 5208228	12 kg

### PLEASE NOTE

Not suitable for use on splinter protection films or adhesive tapes. These must be removed in the area of the plates

### INCLUDED IN DELIVERY

- 2 Pieces Mirror plates 100 x 100 mm with Xtramount® adhesive tape
- 2 Pieces Adhesive sheets 70 x 70 mm with Xtramount® adhesive tape
- 2 Pieces Eccentric discs
- 2 Pieces Holding magnets ø 45 mm
- 2 Pieces Spacer
- 4 Pieces Screws ø 4 x 50 mm
- 4 Pieces Multi-purpose plug ø 6 x 36 mm
- 1 Piece Assembly instructions

## SAFEMAX® 16 MIRROR MOUNTING SET

safemax® supplies mirror plates and fixing accessories ready-packed in a set. Mirrors can be fixed invisibly and can be unhooked at any time. The Xtramount® adhesive tape used is high quality and durable. Special tools are not required for mounting.



### TECHNICAL DETAILS

- Self-adhesive: Yes
- Suitable for damp locations: Yes
- Mirror removable: Yes
- Suitable for: Mirrors according to DIN EN 1036
- Un-hinge protection: Magnet

### YOUR BENEFITS

- Highest product standards thanks to Bohle as a certified specialist bonding company
- Quick and easy assembly
- Suitable for a mirror size of up to 1.6 m<sup>2</sup> with a total weight of 24 kg

ART NO.	LOAD CAPACITY
BO 5208230	24 kg

### PLEASE NOTE

Not suitable for use on splinter protection films or adhesive tapes. These must be removed in the area of the plates

### INCLUDED IN DELIVERY

- 2 Pieces Mirror plates 200 x 100 mm with Xtramount® adhesive tape
- 2 Pieces Adhesive sheets 70 x 70 mm with Xtramount® adhesive tape
- 2 Pieces Eccentric discs
- 2 Pieces Holding magnets ø 45 mm
- 2 Pieces Spacer
- 4 Pieces Screws ø 4 x 50 mm
- 4 Pieces Multi-purpose plugs ø 6 x 36 mm
- 1 Piece Assembly instructions

## MIRROR PLATE WITH ONE EYELET, SELF-ADHESIVE



### TECHNICAL DETAILS

- Material: Steel
- Material thickness: 1.9 mm
- Suitable for: Mirrors according to DIN EN 1036
- Package contents: 10 Pieces

Mirrors can be mounted with mirror plates so that the fixings are invisible to the customer, and the mirror can be removed again at any time. The mirror plates are self-adhesive and suitable for bathrooms. Installation is quick and does not require special tools.

### YOUR BENEFITS

- Highest product standards thanks to Bohle being a certified specialist bonding company
- Quick and easy installation
- Mirrors can be removed

ART NO.	LOAD CAPACITY	WIDTH	LENGTH
BO 5208606	6 kg	100 mm	100 mm
BO 5208607	12 kg	100 mm	200 mm
BO 5208626	3 kg	70 mm	70 mm
BO 5208631	18 kg	100 mm	300 mm

### PLEASE NOTE

Not suitable for use with splinter protection films or adhesive tapes. These must be cut out in the area of the plate.

## MIRROR PLATE BEVELLED, SELF-ADHESIVE



### TECHNICAL DETAILS

- Material: Steel
- Self-adhesive: Yes
- Material thickness: 1.9 mm
- Suitable for: Mirrors according to DIN EN 1036
- Package contents: 10 Pieces

Mirrors can be attached with the mirror plates so that the fixings are invisible to the customer, and the mirror can be removed again at any time. The mirror plates are self-adhesive and suitable for use in bathrooms. Installation is quick and does not require special tools.

### YOUR BENEFITS

- Highest product standards thanks to Bohle being a certified specialist bonding company
- Quick and easy assembly
- Mirror removable

ART NO.	LOAD CAPACITY	WIDTH	LENGTH
BO 5208612	6 kg	100 mm	100 mm
BO 5208613	12 kg	100 mm	200 mm

### PLEASE NOTE

Not suitable for use on splinter protection films or adhesive tapes. These must be cut out in the area of the plate.

## MIRROR PLATE WITH ONE EYELET



Mirrors can be mounted invisibly and can be unhooked at any time. All suitable adhesive systems can be used for mounting. This then also determines the load-bearing capacity of the mirror plate and the mounting situation.

### YOUR BENEFITS

- Quick and easy assembly
- Mirror removable

ART NO.	WIDTH	LENGTH
BO 5208615	100 mm	100 mm
BO 5208616	100 mm	200 mm

### TECHNICAL DETAILS

- Material: Steel
- Self-adhesive: No
- Material thickness: 0.9 mm
- Suitable for: Mirrors according to DIN EN 1036
- Package contents: 10 Pieces

### PLEASE NOTE

Not applicable on splinter protection films or adhesive tapes. These must be removed in the area of the plates

## MIRROR CLIPS, WITH SPRING



Mirror clips are used for quick and easy vertical mounting of mirrors on a wall. The integrated cork insert protects the back of the mirror.

### YOUR BENEFITS

- Integrated cork insert
- Small, inconspicuous design
- With spring

ART NO.	MATERIAL	LOAD CAPACITY	MIRROR SURFACE MAX.
BO 5207400	Steel	12 kg	1.2 m <sup>2</sup>

### INCLUDED IN DELIVERY

- 2 Pieces Upper retaining clips with spring
- 2 Pieces Lower supporting clamps
- 4 Pieces Plugs
- 4 Pieces Wood screws

### TECHNICAL DETAILS

- Glass thickness: 4 - 6 mm
- Colour scheme: Chrome-plated shiny

## MIRROR CLIPS, REINFORCED VERSION



Mirror clips are used for quick and easy vertical mounting of mirrors on a wall. The integrated cork insert protects the back of the mirror.

### YOUR BENEFITS

- Integrated cork insert
- Small, inconspicuous design

ART NO.	MATERIAL	LOAD CAPACITY	MIRROR SURFACE MAX.
BO 5207500	Brass	28 kg	1.6 m <sup>2</sup>

### INCLUDED IN DELIVERY

- 4 Pieces Wood screws 4 x 35 mm
- 4 Pieces Cork plates
- 4 Pieces Adjustable brackets

### TECHNICAL DETAILS

- Glass thickness: 4 - 6 mm
- Colour scheme: Chrome-plated shiny

---

## HOLDING MAGNET

---



The holding magnet is a high-performance magnet for versatile use. The eccentric hole allows it to be fixed to the surface and aligned. The diameter is 45 mm.

### YOUR BENEFITS

- High-performance magnet
- Versatile

---

### ART NO.

**BO 5208601**

---

### PLEASE NOTE

Not suitable for mounting mirror plates thinner than 2 mm.

### TECHNICAL DETAILS

- Diameter: 45 mm
- Material thickness: 12 mm

---

## ECCENTRIC DISC

---



The eccentric disc is an adjustable wall mounting for mirror plates. Subsequent height correction is quick and easy thanks to the applied scale. The adjustment is made via the pin hole on the side.

### YOUR BENEFITS

- With setting scale
- Height correction +/- 4 mm

---

### ART NO.

**BO 5208602**

---

### TECHNICAL DETAILS

- Diameter: 37 mm
- Material thickness: 12 mm
- Colour: Cream
- Package contents: 10 Pieces

---

## MOUNTING PLATE

---



The steel bracket is the ideal wall fastening for eyelet plates. The slotted hole makes a height adjustment of 20 mm possible. Two holes are provided for additional fastening.

### YOUR BENEFITS

- Height adjustment of approx. 20 mm
- Additional mounting holes

---

### ART NO.

**BO 5208614**

---

### TECHNICAL DETAILS

- Colour scheme: Silver colour

---

## PLINTO SPACER, ADJUSTABLE FROM 8 TO 12 MILLIMETRES

---



### TECHNICAL DETAILS

- Material: Plastic
- Self-adhesive: No
- Wall distance: 12 mm
- Diameter: 47 mm
- Package contents: 100 Pieces

The spacer is ideal for use as a spacer disc for invisible mirror mounting systems. The installation and alignment of windows, doors and much more is also easy thanks to the millimetre-precise adjustment options.

### YOUR BENEFITS

- Adjustable
- Easy assembly
- Versatile

---

### ART NO.

**BO 5121100**

---

### PLEASE NOTE

Hole diameter 4 millimetres.

---

## PLINTO SPACER, ADJUSTABLE FROM 13 TO 20 MILLIMETRES

---



### TECHNICAL DETAILS

- Material: Plastic
- Self-adhesive: No
- Wall distance: 20 mm
- Diameter: 59 mm
- Package contents: 100 Pieces

The spacer is ideal for use as a spacer disc for invisible mirror mounting systems. The installation and alignment of windows, doors and much more is also easy thanks to the millimetre-precise adjustment options.

### YOUR BENEFITS

- Adjustable
- Easy assembly
- Versatile

---

### ART NO.

**BO 5121101**

---

### PLEASE NOTE

Hole diameter 4 millimetres.



## MIRROR SCREWS WITH ROTATABLE HEAD



The complete set of mirror screws with rotatable heads is used for quick and easy installation of mirrors. Attractive appearance due to high-gloss chrome-plated cover caps.

### YOUR BENEFITS

- Easy installation of mirrors
- No visible screws

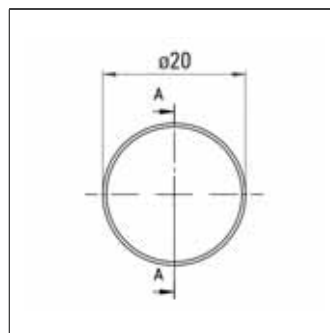
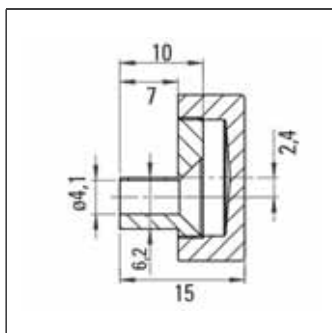
ART NO.	HEAD SHAPE	DIAMETER	HEIGHT
BO 5200079	Flat	20 mm	15 mm

### TECHNICAL DETAILS

- Material: Zinc die casting
- Colour scheme: Chrome-plated shiny
- Glass thickness: 5 - 6 mm

### INCLUDED IN DELIVERY

- 4 Pieces Screws
- 4 Pieces Plugs
- 4 Pieces Glass holder
- 4 Pieces Covers



## MIRROR SCREWS POINTED



Mirror screws are used in combination with the wood screws provided with a 1/8" threaded hole in the head to fix mirrors decoratively.

### YOUR BENEFITS

- Easy attachment of mirrors

ART NO.	HEAD SHAPE	DIAMETER	HEIGHT
BO 5200980	Pointed	19 mm	4 mm

### TECHNICAL DETAILS

- Material: Brass
- Colour scheme: Chrome-plated shiny
- Package contents: 100 Pieces

## WOOD SCREWS



Wood screws with 1/8" inner thread for holding the mirror heads BO 52000980.  
Mirror screws are used in combination with the wood screws provided with a 1/8" threaded hole in the head to fix mirrors decoratively.  
Wood screws with 1/8" inner thread for holding the mirror heads BO 52000980.

### YOUR BENEFITS

- Simple attachment of mirrors

ART NO.	DIAMETER	LENGTH
BO 5200985	4.5 mm	40 mm

### TECHNICAL DETAILS

- Material: Steel
- Surface: Zinc Plated
- Thread type: External thread
- Package contents: 100 Pieces

## PROTECTIVE SLEEVE



These plastic protective sleeves serve to avoid direct contact between wood screw and mirror when using the mirror screws.

### YOUR BENEFITS

- Prevents glass - metal contact to protect the mirror

ART NO.	HOLE DIAMETER IN THE GLASS
BO 5200988	7 mm

### TECHNICAL DETAILS

- Material: Plastic
- Colour scheme: Natural
- Package contents: 100 Pieces

## SPACER



The foam spacer is mainly used in mirror mounting. It prevents deflection and stabilises the construction. It is used wherever there is a hollow space between the material and the substrate over large areas.

### YOUR BENEFITS

- Prevents bending with large mirror surfaces
- High-strength foam

ART NO.	WALL DISTANCE
BO 5208600	12 mm

### TECHNICAL DETAILS

- Material: Polyethylene foam
- Self-adhesive: Yes
- Material thickness: 12 mm
- Package contents: 20 Pieces

## SPACER

Spacers prevent deflection and thus stabilise the structure. They are used where there is a cavity between the material and the substrate over large areas. This self-adhesive plastic variant is often used in the area of mirror mounting.



### YOUR BENEFITS

- Self-adhesive
- Stabilising

ART NO.	WALL DISTANCE
BO 5208603	13 mm

### TECHNICAL DETAILS

- Material: Plastic
- Self-adhesive: Yes
- Material thickness: 13.2 mm
- Package contents: 100 Pieces

## XTRAMOUNT® MIRROR TAPE

With Xtramount®, mirrors can be fixed quickly and permanently, even in the bathroom. Good initial adhesion and high final strength characterise the adhesive tape, as does its good resistance to ageing. Xtramount® offers high quality for a long-lasting bond.



### YOUR BENEFITS

- Resistant to ageing, weathering and plasticisers
- Durable bonding
- High final strength

ART NO.	WIDTH	MATERIAL THICKNESS	ROLL LENGTH
BO 5207750	15 mm	1 mm	5 m
BO 5207751	15 mm	1 mm	66 m
BO 5207752	19 mm	1 mm	5 m
BO 5207753	19 mm	1 mm	66 m
BO 5207754	19 mm	1.6 mm	5 m
BO 5207755	19 mm	1.6 mm	25 m
BO 5207746	25 mm	1 mm	66 m
BO 5207747	25 mm	1.6 mm	25 m
BO 5207748	70 mm	1 mm	10 m
BO 5207749	70 mm	1 mm	66 m

### TECHNICAL DETAILS

- Durability: 1 year
- Storage temperature (°C): 18 - 20 °C
- Moisture resistant: Yes
- Colour: White

### PLEASE NOTE

Not suitable for use on splinter protection films and adhesive tapes.

## XTRAGRIP® MIRROR ADHESIVE SILICONE



Xtragrip® Silicone is suitable for tension-balancing bonding of mirrors according to DIN EN 1036 on all common building substrates. The one-component adhesive is neutral, solvent-free and permanently elastic.

### YOUR BENEFITS

- Permanently elastic after curing
- Cure 1 mm/ 24 h
- Suitable for mirrors manufactured according to DIN EN 1036

ART NO.	PACKAGE CONTENTS
BO 6002005S	1 Cartridge

### PLEASE NOTE

Pre-treat porous substrates with an adhesion promoter. Use up quickly after opening.

### TECHNICAL DETAILS

- Non-yellowing: Yes
- Colour: Grey
- Hardening mechanism: Moisture curing
- Temperature resistance (°C): -40 - 150 °C

## XTRAGRIP® MIRROR ADHESIVE MS POLYMER



The mirror adhesive offers fast curing and good initial adhesion. It is low-emission, silicone- and isocyanate-free and therefore easy to use. Tension-free installation of mirrors according to DIN EN 1036 is possible on all common building substrates, without any problems.

### YOUR BENEFITS

- Good initial adhesion
- Fast curing of 2-3 mm/ 24 h
- Very low emissions, EC1Plus R certified

ART NO.	PACKAGE CONTENTS
BO 5730005	1 Cartridge

### PLEASE NOTE

Pre-treat porous substrates with an adhesion promoter. Use up quickly after opening.

### TECHNICAL DETAILS

- Colour: Grey
- Hardening mechanism: Moisture curing
- Temperature resistance (°C): -40 - 90 °C
- Application area: Indoor

## SOUDAL PRIMER 150



Soudal Primer 150 improves the adhesion of silicones and MS polymers on porous substrates. It is mainly used for the assembly of mirrors with Xtragrip® mirror adhesive and Xtragrip® MS polymer. Its use is also recommended in cases of increased humidity.

### YOUR BENEFITS

- Simple application
- For porous substrates

ART NO.	PACKAGE CONTENTS
BO 6002006	1 Bottle

### PLEASE NOTE

Covers approx. 5 m<sup>2</sup> / litre

### TECHNICAL DETAILS

- Colour: Colourless
- Solvent-free: No
- Content: 500 ml
- Consistency: Liquid

# Mirror profiles

Mirror mounting profiles are a timeless and simple method of attaching mirrors. The mirror is simply inserted into the mirror mounting profile so that no glass processing or bonding is necessary. Mirror mounting profiles can also be used to protect or decoratively enhance the edges of the mirror. All mirror mounting profiles are also corrosion-resistant and therefore suitable for use in bathrooms and kitchens.

## MIRROR PROFILE



The mirror profile is suitable for simple and safe mirror installation and is resistant to environmental influences.

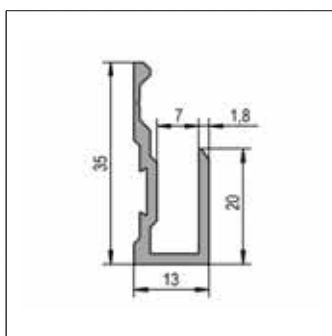
### YOUR BENEFITS

- Classic, elegant mirror profile for simple and secure mirror mounting
- With drill guide in the profile
- Corrosion-resistant and therefore suitable for use in bathrooms and kitchens

ART NO.	COLOUR SCHEME	LENGTH
BO 5208001	Aluminium colour E6, stained matt	5,000 mm
BO 5208005	Stainless steel colour anodised E6, stained matt	5,000 mm

### TECHNICAL DETAILS

- Glass thickness: 6 mm
- Width: 13 mm
- Height: 35 mm
- Material thickness: 1.8 mm
- Material: Aluminium



## MIRROR PROFILE CLIP-ON



Clip-on mirror profile impress with their particularly simple installation thanks to the clip cover profile: the mirror does not have to be inserted vertically into the profile, but is inserted from the front and securely fixed with the cover profile.

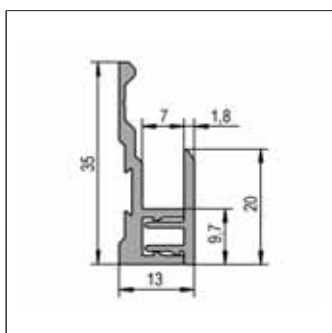
### YOUR BENEFITS

- Classic, beautifully shaped mirror profile
- With drill guide in the profile
- Corrosion-resistant and therefore suitable for use in bathrooms and kitchens

ART NO.	COLOUR SCHEME	LENGTH
BO 5208025	Aluminium colour anodised E6, stained matt	5,000 mm

### TECHNICAL DETAILS

- Glass thickness: 6 mm
- Width: 13 mm
- Height: 35 mm
- Material thickness: 1.8 mm
- Material: Aluminium



## END CAP SET MIRROR PROFILE



End caps for a perfect finish to match the one-piece and two-piece mirror profiles.

### YOUR BENEFITS

- Clean finish

ART NO.	COLOUR SCHEME
BO 5208030	Silver colour
BO 5208031	Stainless steel colour

### INCLUDED IN DELIVERY

5 Pieces End cap left

5 Pieces End cap right

### TECHNICAL DETAILS

- Material: Plastic (ABS)

## MIRROR RAIL



The concealed mirror rail is used to hold the counter rail and is hard-wearing and suitable for damp rooms.

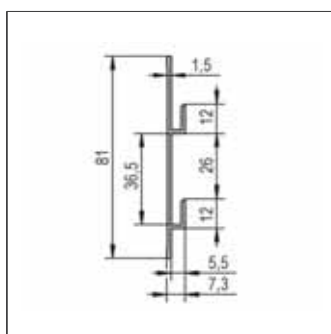
### YOUR BENEFITS

- Invisible mirror rail
- Particularly easy assembly
- Load capacity using the Xtramount adhesive tape for mirrors weighing up to 20 kg/m

ART NO.	COLOUR SCHEME	LENGTH
BO 5208016	Anodised matt	2,000 mm

### TECHNICAL DETAILS

- Glass thickness: 6 mm
- Width: 7.3 mm
- Height: 81 mm
- Material thickness: 1.5 mm
- Material: Aluminium



## MIRROR PROFILE J



The J-mirror profile is the classic mirror profile for simple and safe mirror installation.

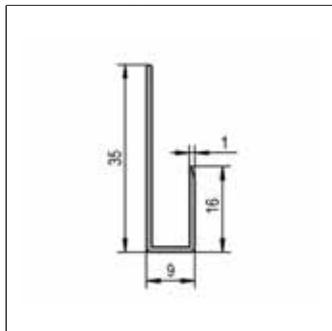
### YOUR BENEFITS

- Classic mirror profile for easy and safe mirror mounting
- Corrosion-resistant and therefore suitable for use in bathrooms and kitchens
- Suitable for use with L or T mirror profiles (BO 60GDX61S and BO 60GDX62S, BO 60GDX63S)

ART NO.	COLOUR SCHEME	LENGTH
BO 6703450	Aluminium colour anodised E6, stained matt	2,500 mm

### TECHNICAL DETAILS

- Glass thickness: 6 mm
- Width: 9 mm
- Height: 35 mm
- Material thickness: 1 mm
- Material: Aluminium



## MIRROR PROFILE L



The mirror profile L is suitable as protection and for high-quality visual panelling of the edges, and is hard-wearing and suitable for damp rooms.

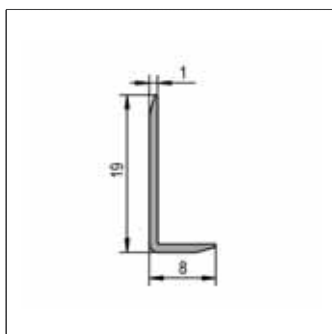
### YOUR BENEFITS

- Edge protector profile for mirrors
- Suitable for use with J, L or T mirror profiles (BO 60GDX60S, BO 60GDX61S, BO 60GDX63S)
- Corrosion-resistant and therefore suitable for use in bathrooms and kitchens

ART NO.	COLOUR SCHEME	LENGTH
BO 6703456	Aluminium colour anodised E6, stained matt	2,500 mm

### TECHNICAL DETAILS

- Glass thickness: 6 mm
- Width: 8 mm
- Height: 19 mm
- Material thickness: 1 mm
- Material: Aluminium



## CENTRE PROFILE H



The centre profile H is suitable for dividing the mirror and serves both as protection and for visually high-quality cladding of the edges. It is hard-wearing and suitable for damp rooms.

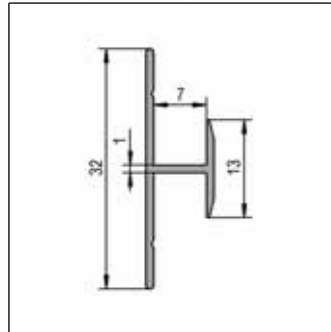
### YOUR BENEFITS

- For the division of a mirror
- To be used with J- and L-mirror profiles (BO 6703450, BO 6703456)

ART NO.	COLOUR SCHEME	LENGTH
BO 6703459	Aluminium colour anodised E6, stained matt	2,500 mm

### TECHNICAL DETAILS

- Glass thickness: 6 mm
- Width: 9 mm
- Height: 32 mm
- Material thickness: 1 mm
- Material: Aluminium



## EDGE PROFILE L



The edge profile L is suitable for protecting and visually enhancing edges and is hard-wearing and suitable for use in damp rooms. It thus joins the large, precisely fitting selection of glazing and mirror profiles from Bohle for interior or exterior construction.

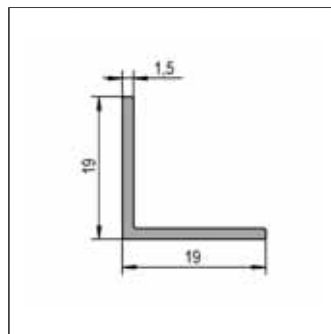
### YOUR BENEFITS

- Suitable as edge protection and/or for high-quality edge trim

ART NO.	COLOUR SCHEME	LENGTH
BO 5201517	Aluminium colour anodised E6, stained matt	2,500 mm

### TECHNICAL DETAILS

- Width: 19 mm
- Height: 19 mm
- Material thickness: 1.5 mm
- Material: Aluminium





# Mirror heating

Misted-up mirrors are a thing of the past with mirror heaters. They are self-adhesive and are simply stuck to the back of the mirror. Electrical conductors in the film heat the mirror to approx. 30°, preventing the formation of condensation.

## MIRROR HEATER



The mirror heaters prevent bathroom mirrors from fogging up. The self-adhesive heating film is stuck to the back of the mirror. Electrical conductors in the film heat the mirror to a harmless approx. 30° C. This effectively prevents the formation of condensation.

### YOUR BENEFITS

- Fogging up of bathroom mirrors is prevented
- Available in different dimensions
- Easy mounting due to self-adhesive coating

### TECHNICAL DETAILS

- Films: 0.8 mm
- Connection thickness for supply cable: 7 mm
- Electr. voltage: 230 V
- Cable length: 1 m

ART NO.	WIDTH	LENGTH	ELECTR. POWER
BO 60GNX30	150 mm	274 mm	6.25 W
BO 60GNX31	274 mm	274 mm	12.5 W
BO 60GNX32	274 mm	574 mm	26 W
BO 60GNX33	524 mm	524 mm	50 W
BO 60GNX34	524 mm	1,024 mm	100 W

---

## Useful helpers

---

Aqua Drill Pro wet drilling machine	256
Veribor® vacuum technology	260
Consumables	265

# Aqua Drill Pro wet drilling machine

Impressively powerful. This is the Aqua Drill Pro, which now makes wet drilling child's play. Experienced users know what to expect if something goes wrong when drilling tiles or granite slabs: Trouble, loss of time, additional costs. But all this can be avoided with the right equipment. The Aqua Drill Pro is designed for drilling through the hardest materials quickly and, above all, without breaking.

## Three conditions for ideal wet drilling results



### Optimum cooling

The continuous water supply and drainage enables optimum cooling to keep temperatures as low as possible and achieve best drilling results.



### Low contact pressure

The special diamond hollow drills enable maximum abrasion while drilling and thus reduce the contact pressure.



### Drilling aid templates

Three different drilling aid templates are available to choose from. They ensure full control when applying the drill – without undesired movements.

## Overview

1. High quality Bohle water feed chuck
2. Four switchable speeds
3. Adjustable torque control
4. Universal drill connection 1/2"
5. Ergonomic handle
6. Fast coupling for water intake
7. Powerful Lithium-ion battery, 18 V/6 Ah



For expert advice and if you have questions, please contact us.



Your Bohle Team:  
@ info@bohle.ltd.uk  
0800 616151



Workshop supplies:  
@ glassworkshop-supplies@bohle.de  
+49 (0) 2129 5568 901

## AQUA DRILL WET DRILLING MACHINE



With a torque of 90 Nm and a speed of 3,850 rpm, this compact powerhouse knows no natural limits. The result is extremely fast and break-free drilling as well as clean and dirt-free work.

ART NO.	ELECTRICAL CONNECTION	REVOLUTION
BO 79.304	230V-50Hz-1NPE	0 - 3,850 U/min

### TECHNICAL DETAILS

- Drive type: Battery
- Application area: Tiles, Granite, Ceramics, Glass, Stone, Wet, Indoor, Outside, Mobile
- External thread: ½"



### INCLUDED IN DELIVERY

- 1 Piece FEIN cordless drill/driver
- 1 Piece High-quality Bohle water feed chuck
- 1 Piece Powerful lithium-ion battery 18V / 6 Ah
- 1 Piece Spare battery 18V / 6 Ah
- 1 Piece Charger
- 1 Piece Quick coupling for water supply
- 1 Piece Bit chuck
- 1 Piece Quick-action drill chuck
- 1 Piece Toolbox

## CERAMIC DIAMOND HOLLOW DRILL



The ceramic diamond hollow drill bit, specially developed for the Bohle Aqua Drill wet drill, is designed for use on hard ceramic tiles, granite, marble and normal tiles.

### YOUR BENEFITS

- Specially developed for the Bohle Aqua Drill wet drilling machine
- Manual drill bit change without tools

ART NO.	DIAMETER	REVOLUTION
BO 79.4605	5 mm	0 - 3,850 U/min
BO 79.4606	6 mm	0 - 3,850 U/min
BO 79.4607	7 mm	0 - 3,850 U/min
BO 79.4608	8 mm	0 - 3,850 U/min
BO 79.4610	10 mm	0 - 3,850 U/min
BO 79.4612	12 mm	0 - 3,850 U/min
BO 79.4614	14 mm	0 - 1,950 U/min

### TECHNICAL DETAILS

- External thread: ½"
- Application area: Tiles, Ceramics, Marble, Wet, Outside, Indoor

## DRILLING AID TEMPLATE WITH WATER SUPPLY / WATER COLLECTION DRAIN



The drilling aid template with water supply / water collection drain enables precise drilling with minimal contamination of the surrounding area. The drilling dust is discharged with the cooling water from the sealed dirt chamber via the drain hose (sealed to the tile and the drill).

### YOUR BENEFITS

- Optimum cooling for unbreakable drilling
- Permanent water supply and drainage
- Special interchangeable drill bushes for diameters 6, 8, 10, 12 mm

---

### ART NO.

BO 79.350

---



## DRILLING AID FOR PIN DRILL



The spot-drilling aid for dowel drills in diameters  $\varnothing$  6; 8; 10; 12 mm enables precise drilling. The drilling aid has an adjustable drilling plate. The sealing lip on the suction cup is also suitable for rougher substrates.

---

### ART NO.

BO 79.351

---

## DRILLING AID - ADJUSTABLE



The drilling aid for pin drills with an adjustable universal drilling guide for diameters of  $\varnothing$  20 - 70 mm enables precise drilling. The sealing lip on the suction cup is also suitable for rougher substrates.

---

### ART NO.

BO 79.352

---

## WATER PRESSURE TANK 12 L



The mobile water pressure tank enables a mains-independent water supply for machines with diamond tools and can be used in the stone, sanitary and glass sectors. The integrated manometer enables constant pressure monitoring.

### YOUR BENEFITS

- Independent water supply

---

### ART NO.

BO 79.370

---

## WATER FEED CHUCK FOR 43 MM DIAMETER COLLAR



The water feed chuck is suitable for diamond hollow drills with ½" threaded connection and fits all standard drilling machines with a 43 mm diameter collar (open-end spanner 24 mm).

### YOUR BENEFITS

- Stainless steel shaft

---

### ART NO.

BO 79.BG095

---

### PLEASE NOTE

Spare part for BO 79.300; however not suitable for BO 79.302, BO 79.303 and BO 79.304!

### TECHNICAL DETAILS

- External thread: ½"

## WATER FEED CHUCK WITH MOUNTING SHAFT



This water feed chuck with mounting shaft for standard drill chuck of any cordless drill is an inexpensive alternative for the use of diamond hollow drills for glass and tile drilling.

### YOUR BENEFITS

- With mounting shaft for standard drill chuck of any cordless drill

---

### ART NO.

BO 79.12A

---

### TECHNICAL DETAILS

- External thread: ½"



# Veribor® vacuum technology

## Premium Suction Lifter: Safety as standard

As a specialist in vacuum technology with over 70 years of experience, we make lifting, carrying and transporting easier. Our quality brand Veribor® places particular emphasis on high safety and ergonomics. We know the perfect handling aid for every material!

- Ergonomic, back-friendly lifting and carrying of bulky, heavy building elements
- Lower costs due to less transport damage
- More grip safety through increased carrying comfort
- The right model for every surface and every material

**VERIBOR**  
MADE IN GERMANY

## Quality guarantee

It all starts with the in-house production of the rubber pads and ends with the manual assembly of the suction lifters. The production and the corresponding quality assurance take place in Haan, located in the German federal state of North Rhine-Westphalia. Even small individual parts, supplied by long-term partners, come from within a radius of 50 km. The result is a high quality Veribor® suction lifter that keeps its promises.



**For expert advice and if you have questions, please contact us.**



Your Bohle Team:  
@ info@bohle.ltd.uk  
0800 616151



Workshop supplies:  
@ glassworkshop-supplies@bohle.de  
+49 (0) 2129 5568 901



## Veribor® battery-powered suction lifter - Now your thumbs can twiddle their thumbs

The new Veribor® cordless suction lifter puts an end to tedious manual operation. Suction is now done at the touch of a button - and re-pumping is even completely automatic. But that's not all: the tried-and-tested carrying aids with manual pump can be easily retrofitted. Switching between an electronic and manual pump takes just seconds.



### Suction? All you need is a button.

The electronic battery-powered pump brings more convenience to your everyday work - and takes safety to a new level. At the touch of a button, the Veribor® battery-powered suction lifter sucks itself up in just a few seconds and automatically pumps again during your work if the vacuum should diminish.

No matter what challenge you are facing the battery-powered suction lifter can be relied upon to last a long time. The system enables around 600 pumping units with just one battery charge and proves its endurance in everyday work. But here too, trust is good, control is better. A signal lamp on the handle of the suction lifter informs the user about the battery status of the electric pump.

### The nuts and bolts from A to Z.

The Veribor® suction lifter with battery is the first choice when it comes to lifting, holding and carrying larger components. With a load capacity of up to 120 kg, it is ideal for a wide variety of objects:

1. gas-tight, flat surfaces
2. glass
3. tiles
4. sheet metal
5. coated wooden panels
6. plastic panels



### 5 good reasons

1. powerful: 120 kg load capacity
2. convenient: quick vacuum build-up at the touch of a button
3. safe: automatic re-pumping
4. clear: LED display for vacuum and charge status
5. 2-fold safety mechanism when switching off





## VERIBOR® BATTERY-POWERED SUCTION LIFTER, PLASTIC



### TECHNICAL DETAILS

- Model: Battery-powered
- Diameter suction pad: 213 mm
- Surface geometry: Flat

The Veribor® cordless vacuum lifter stands for maximum efficiency and safety. One-handed operation and the smart safety concept bring more convenience to your working day. This is because suction takes place at the touch of a button - and even pumping is completely automatic.

### YOUR BENEFITS

- Smart security concept
- More convenience when working thanks to one-handed operation
- LED display for vacuum and battery monitoring

ART NO.	LOAD CAPACITY	MATERIAL
BO 601GA	120 kg	Plastic (ABS)

### INCLUDED IN DELIVERY

- 1 Piece Pump suction lifter
- 1 Piece Battery pump
- 1 Piece USB-C charging cable
- 1 Piece Case insert
- 1 Piece Storage case

## PUMP SUCTION LIFTER VERIBOR®, ALUMINIUM



### TECHNICAL DETAILS

- Model: Manual
- Diameter suction pad: 213 mm
- Surface geometry: Flat

The Veribor® BO 601 pump suction lifter is a real classic. It is equipped with a clearly visible vacuum safety indicator and numerous functional details. It holds large loads of up to 120 kg and is suitable for all materials and objects with flat, gas-tight surfaces.

### YOUR BENEFITS

- Ergonomic handle shape
- High load capacity
- Clearly visible vacuum indicator

ART NO.	LOAD CAPACITY	MATERIAL
BO 601	120 kg	Aluminium

### INCLUDED IN DELIVERY

- 1 Piece Pump suction lifter
- 1 Piece Veribor® Case

## VERIBOR® PUMP SUCTION LIFTER, PLASTIC



### TECHNICAL DETAILS

- Model: Manual
- Diameter suction pad: 213 mm
- Surface geometry: Flat

The Veribor® BO 601G pump suction lifter is a real design highlight - both in terms of appearance and comfort. It can hold heavy loads of up to 120 kg and is suitable for all materials and objects with gas-tight surfaces.

### YOUR BENEFITS

- Ergonomic handle shape
- High load capacity
- Clearly visible vacuum indicator

ART NO.	LOAD CAPACITY	MATERIAL
BO 601G	120 kg	Plastic (ABS)

### INCLUDED IN DELIVERY

- 1 Piece Pump suction lifter
- 1 Piece Veribor® Case

## SUCTION LIFTER VERIBOR®, PLASTIC 2-CUP

Secure hold and optimum comfort: The Veribor® 2-cup suction lifter impresses with a large, non-slip grip area and sits perfectly in the hand. The toggle levers are ergonomic and user-friendly.

### YOUR BENEFITS

- High level of safety and ergonomics
- Non-slip handle coating
- Free from carcinogenic hydrocarbon compounds (PAH)



ART NO.	LOAD CAPACITY	MATERIAL
BO 602.1G	50 kg	Plastic

### TECHNICAL DETAILS

- Type of vacuum generation: Lever
- Diameter suction pad: 120 mm
- Surface geometry: Flat

## VERIBOR® ALUMINIUM SUCTION LIFTER 3-CUP

The quality suction lifter of the Veribor® brand is the optimal helper for lifting and transporting gas-tight sheet materials. Regardless of the material, the suction lifter can carry a weight of up to 100 kg.

### YOUR BENEFITS

- High safety and ergonomics
- Made from lead-free aluminium
- Wide contact surface of the rocker arms



ART NO.	LOAD CAPACITY	MATERIAL
BO 603.021	100 kg	Aluminium

### TECHNICAL DETAILS

- Type of vacuum generation: Lever
- Diameter suction pad: 120 mm
- Surface geometry: Flat

## VERIBOR® SEAMING TOOL

The Veribor® seaming tool is the perfect tool for precise and millimetre-accurate clamping, pulling together and spreading apart of large-surface, smooth plate materials.

### YOUR BENEFITS

- Suitable for many diverse applications
- Free from carcinogenic hydrocarbon compounds (PAH)
- Exact positioning



ART NO.	TORQUE	MATERIAL
BO 650.33	260 Nm	Aluminium

### TECHNICAL DETAILS

- Type of vacuum generation: Lever
- Diameter suction pad: 120 mm
- Surface geometry: Flat

## VETROLEVEL SUCTION CUP WITH INTEGRATED SPIRIT LEVEL

---

VetroLevel quickly brings glass panes into alignment - thanks to the integrated spirit level. The proven vacuum technology of the Veribor® suction pad holds it securely in position so that the pane can be aligned comfortably with both hands.



### YOUR BENEFITS

- Quick assembly
- Suitable for aligning vertical and horizontal panes
- Adheres to smooth and gas-tight surfaces

---

### ART NO.

**BO 5140450**

---

### TECHNICAL DETAILS

- Diameter suction pad: 90 mm



## KGS® FLEXIS® DIAMOND HAND GRINDING PAD



The KGS® Flexis® diamond hand grinding pad is an adaptable and versatile tool for the manual deburring and grinding of edges on glass, ceramic and granite. The hand grinding pad can be used dry and wet.

### YOUR BENEFITS

- Flexible grinding surface
- Good, long-lasting grinding performance

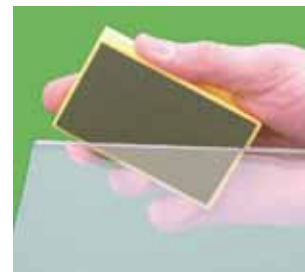
ART NO.	GRIT	COLOUR
BO 5007912	120	Black
BO 5007922	220	Red
BO 5007936	400	Yellow

### TECHNICAL DETAILS

- Width: 55
- Length: 90
- Material: Diamond

### PLEASE NOTE

Metal binding of the KGS® Flexis® diamond pattern



## GLAZING BLOCK TRANSPARENT

Transparent glazing blocks are ideal for transparent all-glass installations or showers. Transparent blocks are used wherever coloured blocks would spoil the look. A good complement to the classic wooden block, and versatile in use.

### YOUR BENEFITS

- Clear look
- Versatile



### TECHNICAL DETAILS

- Material: Polyvinyl chloride (PVC)
- Length: 50 mm
- Width: 6 mm
- Colour: Transparent

ART NO.	MATERIAL THICKNESS	PACKAGE CONTENTS
BO 5121001	1 mm	100 Pieces
BO 5121002	2 mm	100 Pieces
BO 5121003	3 mm	100 Pieces
BO 5121004	4 mm	100 Pieces
BO 5121005	5 mm	100 Pieces
BO 5121006	6 mm	100 Pieces
BO 5121008	8 mm	100 Pieces
BO 5121010	10 mm	100 Pieces

## GLAZING BLOCKS TRANSPARENT PLASTIC, COMPLETE SET

Transparent glazing blocks are ideal for transparent all-glass installations or showers. Transparent blocks are used wherever coloured blocks would spoil the look. A good complement to the classic wooden block, and versatile in use.

### YOUR BENEFITS

- Clear look
- Versatile



### TECHNICAL DETAILS

- Material: Polyvinyl chloride (PVC)
- Length: 50 mm
- Width: 6 mm
- Colour: Transparent

ART NO.	MATERIAL THICKNESS	PACKAGE CONTENTS
BO 5121011	1 - 10 mm	200 Pieces

### INCLUDED IN DELIVERY

- 25 Pieces Glazing block transparent Thickness 1 mm
- 25 Pieces Glazing block transparent Thickness 2 mm
- 25 Pieces Glazing block transparent Thickness 3 mm
- 25 Pieces Glazing block transparent Thickness 4 mm
- 25 Pieces Glazing block transparent Thickness 5 mm
- 25 Pieces Glazing block transparent Thickness 6 mm
- 25 Pieces Glazing block transparent Thickness 8 mm
- 25 Pieces Glazing block transparent Thickness 10 mm

## COMPLETE SET GLAZING BLOCK TRANSPARENT IN CASE

Transparent glazing blocks are ideal for transparent all-glass installations or showers. Transparent blocks are used wherever coloured blocks would spoil the look. A good complement to the classic wooden block, and versatile in use.

### YOUR BENEFITS

- Clear look
- Versatile
- Clearly sorted in the small parts case



### TECHNICAL DETAILS

- Material: Polyvinyl chloride (PVC)
- Length: 50 mm
- Width: 6 mm
- Colour: Transparent

ART NO.	MATERIAL THICKNESS	PACKAGE CONTENTS
BO 5121000	1 - 10 mm	800 Pieces

### INCLUDED IN DELIVERY

- 100 Pieces Glazing block transparent Thickness 1 mm
- 100 Pieces Glazing block transparent Thickness 2 mm
- 100 Pieces Glazing block transparent Thickness 3 mm
- 100 Pieces Glazing block transparent Thickness 4 mm
- 100 Pieces Glazing block transparent Thickness 5 mm
- 100 Pieces Glazing block transparent Thickness 6 mm
- 100 Pieces Glazing block transparent Thickness 8 mm
- 100 Pieces Glazing block transparent Thickness 10 mm
- 1 Piece Small parts case

## ECONOMY WOOD GLAZING SHOVEL

Glazing shovels are used for professional blocking of glazing units. The Economy glazing shovel is made of beech wood. As a lever tool, it can be used wherever delicate materials need to be lifted.

### YOUR BENEFITS

- Made in Germany
- Made of wood without branch cuts



### ART NO.

BO 5165000

### TECHNICAL DETAILS

- Material: Beech wood
- Width: 70 mm
- Length: 280 mm

---

## GLAZING SHOVEL PREMIUM PLASTIC

---



Glazing shovels are used for professional blocking of glazing units. The Premium glazing shovel is made entirely of impact-resistant plastic and offers a non-slip surface. As a lever tool, it can be used wherever sensitive materials need to be lifted.

### YOUR BENEFITS

- Made in Germany
- Sturdy design
- Impact resistant plastic

---

### ART NO.

BO 5165301

---

### TECHNICAL DETAILS

- Material handle: Plastic
- Width: 74 mm
- Length: 282 mm

---

## GLAZING SHOVEL PLASTIC WITH WOODEN HANDLE

---



Glazing shovels are used for professional blocking of glazing units. This glazing shovel combines the sturdy plastic head with a hardwood handle. As a lever tool, it can be used wherever delicate materials need to be lifted.

### YOUR BENEFITS

- Sturdy plastic head
- Ergonomic handle

---

### ART NO.

BO 5165400

---

### TECHNICAL DETAILS

- Material: Plastic
- Material handle: Beech wood
- Width: 66 mm
- Length: 275 mm

---

## GLAZING SHOVEL PREMIUM PLASTIC WITH WOODEN HANDLE XL

---



Glazing shovels are used for professional blocking of glazing units. The XL glazing shovel has an extra-long wooden handle on a sturdy plastic head. As a lever tool, it can be used wherever delicate materials need to be lifted.

### YOUR BENEFITS

- Extra long handle
- Sturdy design

---

### ART NO.

BO 5165401

---

### TECHNICAL DETAILS

- Material handle: Wood
- Width: 68 mm
- Length: 290 mm

## "COX" EASIFLOW™ CARTRIDGE GUN



The simple and robust cartridge gun is used to apply paste-like adhesives and sealants. Adhesive joints and sealing joints can be made easily.

### YOUR BENEFITS

- With overrun brake
- Simple entry-level model

ART NO.	SUITABLE FOR	MODEL
BO 5104900	Cartridge 310 ml	Open

### TECHNICAL DETAILS

- Material: Metal
- Colour: Orange

## CARTRIDGE GUN H40+



The H40+ is used to apply adhesives and sealants. The 360° rotatable frame enables uninterrupted alignment during dispensing. The one-handed operation enables even dispensing control. This guarantees fast and smooth work.

### YOUR BENEFITS

- One-handed operation for fast and precise dosing
- Adjustable handle alignment
- Precise bead application

ART NO.	SUITABLE FOR	MODEL
BO 5105041	Cartridge 310 ml	Half shell

### TECHNICAL DETAILS

- Material: Aluminium, Steel
- Colour: Red

## VULKOLLAN® SCRAPER FILLER



The scraper filler is used for the professional and expert execution of sealing joints. The four corners of the scraper filler offer different angles. They are cut individually to create the necessary joint width.

ART NO.	MATERIAL THICKNESS	MODEL
BO 5166301	5 mm	Rectangular

### TECHNICAL DETAILS

- Material: Vulkollan®
- Width: 90 mm
- Length: 90 mm

## SKIMMING SPATULA



The scraper filler is used for the professional and expert execution of sealing joints. The four corners of the scraper filler offer different angles. They are cut individually to create the necessary joint width.

ART NO.	MATERIAL THICKNESS	MODEL
BO 5166303	7 mm	Rectangular

### TECHNICAL DETAILS

- Material: Plastic
- Width: 80 mm
- Length: 85 mm

## JOINT TROWEL SET DUPLEX RADII



The joint trowels are used for professional and expert execution of sealing joints. The slim shape makes smoothing possible even in hard-to-reach areas. They offer a choice of 7 different radii and a 90° angle to bring the joint into the desired shape.

### YOUR BENEFITS

- High abrasion resistance and flexibility
- Slim shape for hard-to-reach areas

ART NO.	MATERIAL THICKNESS	MODEL
BO 5166306	5 mm	QR-02 Radius duplex

### INCLUDED IN DELIVERY

- 1 Piece Radii 6 mm, 8 mm, 10 mm, 12 mm
- 1 Piece Radii 7 mm, 9 mm, 11 mm, 90° angle

### TECHNICAL DETAILS

- Material: Plastic
- Width: 70 mm
- Length: 70 mm

## JOINT TROWEL SET DUPLEX ANGLE



The joint trowels are used for professional and expert execution of sealing joints. The slim shape makes smoothing possible even in hard-to-reach areas. You have 8 different angles to choose from to bring the joint into the desired shape.

### YOUR BENEFITS

- High abrasion resistance and flexibility
- Slim shape for hard-to-reach areas

ART NO.	MATERIAL THICKNESS	MODEL
BO 5166307	5 mm	QW-02 Angle duplex

### INCLUDED IN DELIVERY

- 1 Piece Angle 6 mm, 8 mm, 10 mm, 12 mm
- 1 Piece Angle 7 mm, 9 mm, 11 mm, 90° angle

### TECHNICAL DETAILS

- Material: Plastic
- Width: 70 mm
- Length: 70 mm



## XTRACOLL® DOUBLE-SIDED ADHESIVE TAPE, PASSIVATED EDGE



### TECHNICAL DETAILS

- Colour: Colourless
- Non-yellowing: Yes
- Shear strength on steel as per DIN EN 1939:1996 at 20°C: 90 N/625 mm<sup>2</sup>
- Temperature resistance (°C): -40 - 160 °C
- Moisture resistant: Yes

XtraColl® is the ideal adhesive tape for sealing glass joints where transparency is important, e.g. in all-glass systems, glass partitions, furniture construction or shower cubicles. Compared to silicone, you save considerable time and costs during installation. We recommend the B0650.33 or B0650.35 seaming tools as a working aid for pushing the glass panes together. When using XtraColl® on laminated safety glass with acoustic PVB film, its suitability must be checked in advance.

### YOUR BENEFITS

- Significant time and cost savings compared to sealing with silicone
- Unreactive to external influences
- Ideal solution for sealing glass joints with high transparency

ART NO.	GLASS THICKNESS	WIDTH	MATERIAL THICKNESS
<b>BO 5207952</b>	8 - 8.76 mm	5 mm	3 mm
<b>BO 5207953</b>	10 - 10.76 mm	7 mm	3 mm
<b>BO 5207954</b>	12 - 12.76 mm	9 mm	3 mm
<b>BO 5207955</b>	17.52 mm	14 mm	3 mm

## XTRACOLL® APPLICATOR



### TECHNICAL DETAILS

- Colour: Black
- Material: Plastic

Use our applicator for easy and precise application of XtraColl® double-sided adhesive tapes on the glass edge.

### YOUR BENEFITS

- Easy and precise application
- First-class appearance after bonding

ART NO.	GLASS THICKNESS
<b>BO 5207946N</b>	10.76 - 12.76 mm
<b>BO 5207939N</b>	8 - 10 mm

## XTRACOLL® APPLICATOR EXTENSION INLAY



### TECHNICAL DETAILS

- Colour: Black
- Material: Plastic

By simply changing the inlay, you can use the applicator for other glass thicknesses.

### YOUR BENEFITS

- Easy and precise application
- First-class appearance after bonding

ART NO.	GLASS THICKNESS
<b>BO 5207949</b>	17.52 mm
<b>BO 5207948</b>	10 - 12 mm
<b>BO 5207947</b>	8 - 10 mm

---

# Cleaning and surface protection

---

Cleaning	272
Surface protection	276

---

# Cleaning

Always the best view - whether during glass processing or later in use. The range includes suitable cleaning agents and cloths, special cleaning agents, cleaning pastes and the corresponding accessories.

## XTRACLEAN



XtraClean is the universal cleaner without aggressive ingredients. Limescale deposits in showers are removed just as quickly as abrasive or silicone residues. The only tool needed is a damp microfibre cloth. Easy application and high yield are guaranteed.

### YOUR BENEFITS

- No irritating or corrosive ingredients.
- Quick application without costly tools
- Only a small quantity required

ART NO.	CONTENT
BO 5886004	20 g
BO 5886001	100 g
BO 5886003	5 kg

### TECHNICAL DETAILS

- Solvent-free: Yes
- Consistency: Paste
- Durability: 3 years
- Colour: Grey

### PLEASE NOTE

Not suitable for car paints.

## SPECIAL CLEANER



The special cleaner optimally prepares surfaces for bonding and sealing. It degreases and cleans glass, metal, ceramics and rubber. It is ideal for pre-cleaning during UV bonding, bonding with 2-component silicone or mirror assembly. Adhesive residues can also be removed.

### YOUR BENEFITS

- Grease-free surfaces for bonding and sealing work
- Suitable for glass, metal, ceramic and rubber

ART NO.	CONTENT
BO 5107911	1 l
BO 5107912	28 l

### TECHNICAL DETAILS

- Density: 0.79 g/cm<sup>3</sup>
- Flash point (°C): 12 °C
- PH value: 3
- Solvent-free: No
- Colour: Colourless

## GLASS CLEANER PREMIUM



Glass Cleaner Premium is ideal for cleaning glass without leaving streaks. It has a high cleaning power and counteracts new contamination. Best results are achieved when it is wiped away with a clean cloth shortly after application, without letting it dry.

### YOUR BENEFITS

- Streak-free
- Spray bottle without propellant gas
- Biodegradable

ART NO.	CONTENT
BO 5107805	1 l
BO 5107807	12 l
BO 5107806	25 l

### TECHNICAL DETAILS

- Density: 0.91 g/cm<sup>3</sup>
- PH value: 10.8
- Solvent-free: No
- Colour: Blue

### PLEASE NOTE

Test application on other surfaces beforehand. Do not allow to dry to avoid visual impairment.

## GLASS CLEANER PROFESSIONAL



The foam cleaner is ideal for streak-free cleaning of glass, tiles, mirrors and smooth plastic surfaces. It is used for basic cleaning of glass furniture and final cleaning after UV bonding. It is also excellently suited for cleaning glass parts after bonding.

### YOUR BENEFITS

- Good yield
- Streak-free cleaning
- Environmentally friendly propellant

ART NO.	CONTENT
BO 5107900	600 ml

### PLEASE NOTE

Pressurised container. Protect from direct sunlight. Do not expose to temperatures above 50 °C.

### TECHNICAL DETAILS

- Density: 0.95 g/cm<sup>3</sup>
- Flash point (°C): -40 °C
- Solvent-free: No
- Colour: Colourless

## SHOWER SQUEEGEE ECONOMY



The Economy squeegee is made of lightweight plastic and has a soft squeegee lip. It is ideal for streak-free removal of wet glass surfaces, e.g. in shower cubicles. The enclosed hook is self-adhesive. This means the squeegee can be hung up quickly and easily.

### YOUR BENEFITS

- Ideal as an inexpensive give-away for your customers
- Available with printed company name and logo for optimal advertising opportunity

ART NO.	MODEL	PACKAGE CONTENTS
BO 5107811	Unprinted	20 Pieces
BO 5107812	Customer logo monochrome	100 Pieces
BO 5107813	Customer logo two-coloured	100 Pieces

### TECHNICAL DETAILS

- Suspension: Yes
- Blade width: 23 cm
- Material: Plastic
- Colour: White

## PAPER TOWEL



The paper towel offers good quality due to its high absorbency and good absorption rate. It is soft and low in lint. The rolls have a removable sleeve, which means that the paper can also be removed from the inside.

### YOUR BENEFITS

- European Ecolabel
- PEFC

ART NO.	NUMBER OF SHEETS PER ROLL	COLOUR
BO 5141617	450	White

### TECHNICAL DETAILS

- Number of layers: 2
- Width sheet: 35.5 cm
- Length sheet: 20 cm
- Package contents: 6 Rolls

## PAPER TOWEL, INDUSTRIAL QUALITY



The industrial roll offers high quality through high absorbency and a high absorption rate. The perfect cleaning paper roll for every workshop. Soft and low-linting, the paper is versatile.

### YOUR BENEFITS

- European Ecolabel

ART NO.	NUMBER OF SHEETS PER ROLL	COLOUR
BO 5141620	1,000	Grey
BO 5141621	1,000	Blue

### TECHNICAL DETAILS

- Number of layers: 2
- Width sheet: 24
- Length sheet: 38
- Package contents: 2 Rolls

## CLEANING PAPER, 4-PLY



Four layers of soft and low-linting paper offer the highest quality. The paper is absorbent and has a high absorption rate. Suitable for sensitive surfaces.

### YOUR BENEFITS

- 4-ply
- Soft
- Low lint

ART NO.	NUMBER OF SHEETS PER ROLL	COLOUR
BO 5141625	1,000	White

### TECHNICAL DETAILS

- Number of layers: 4
- Width sheet: 38 cm
- Length sheet: 38 cm
- Package contents: 1 Roll

## MICROFIBRE CLOTHS ECONOMY



The microfibre cloths are suitable for cleaning all smooth and porous surfaces without streaks, even without chemical aids. They are made of non-woven fabric and can be washed several times.

### YOUR BENEFITS

- Can be used without chemical additives
- Washable up to 90°C
- Ideal for use in the field of building cleaning

ART NO.	WEIGHT PER PIECE
BO 5141642	15 g

### TECHNICAL DETAILS

- Width: 40 cm
- Length: 38 cm
- Package contents: 5 Pieces

## MICROFIBRE CLOTHS PREMIUM



The high-quality microfibre cloths shorten cleaning times. Dirt and moisture are absorbed well and removed quickly. They enable effortless work without much physical exertion. The cloths can be washed at least 500 times and can be used dry or wet.

### YOUR BENEFITS

- Efficient cleaning
- Quick removal of adhesive residues after UV bonding
- Washable 500 times

ART NO.	WEIGHT PER PIECE
BC 5056000	50 g

### TECHNICAL DETAILS

- Width: 38 cm
- Length: 38 cm
- Package contents: 10 Pieces

# Surface protection

BriteGuard® sets standards in the field of surface protection. The protection system for glass and glass-ceramic surfaces is extremely resistant and durable. It is easy to apply and can be applied manually or by machine.

## BRITEGUARD® LIMESCALE REMOVER



The limescale remover is suitable for effortless removal of even stubborn limescale deposits. It can be used on glass, ceramic, metal and other acid-resistant surfaces. The ideal pre-cleaner to prepare calcified showers for coating with BriteGuard® Pro.

### YOUR BENEFITS

- Powerful
- Mild, natural acid components
- Biodegradable

ART NO.	CONTENT
BO 5881001	1 l
BO 5885001	5 l

### TECHNICAL DETAILS

- Density: 1.085 g/cm<sup>3</sup>
- PH value: 2.5
- Solvent-free: Yes
- Colour: Pink

### PLEASE NOTE

Can also be used in glass washing machines to prevent water stains.

## BRITEGUARD® PRO



BriteGuard® Pro protects all smooth glass and glass-ceramic surfaces from corrosion and creates an "easy to clean" surface. Dirt particles find it hard to adhere and water beads off. Pre-clean, apply, wipe dry, done! Suitable for indoor and outdoor use and durable for many years.

### YOUR BENEFITS

- Long lasting protection
- Longer cleaning cycles
- No aggressive cleaners necessary

ART NO.	CONTENT
BO 5850101	100 ml
BO 5850500	500 ml
BO 5855000	5 l

### TECHNICAL DETAILS

- Density: 0.79 g/cm<sup>3</sup>
- Flash point (°C): 12 °C
- Working temperature (°C): 10 - 30 °C
- Colour: Crystal clear

### PLEASE NOTE

Only use suitable spraying equipment.

---

# Information

---

Contact	279
Index	280
Legal notice	285





# How to reach us




 Bohle Ltd.  
Fifth Avenue  
Tameside Park · Dukinfield  
Cheshire, SK16 4PP



**Customer Service & Sales:**  
For price or product enquiries, quotations, orders and all other enquires.  
@ info@bohle.ltd.uk  
T 0800 616151  
F 0161 344 0111



**Accounts:**  
For invoice enquiries, copy paperwork, statements and remittances.  
@ accounts@bohle.ltd.uk  
T 0161 342 1109

 **Visitor Centre / Pick-up:**  
Bohle AG  
Büssingstraße 10 · D - 42781 Haan



**Fittings:**  
For requests concerning the range of fittings such as railings, showers, sliding doors and much more.  
@ hardware@bohle.de  
+49 (0) 2129 5568 951



**Fittings – Technical consulting:**  
For optimal support in project planning as well as questions about installation or calculations.  
@ technical-hardware@bohle.de  
+49 (0) 2129 5568 953



**Workshop supplies:**  
For everything you need around glass processing, glazing, cleaning or work safety including all consumables. We are also happy to answer any questions you may have on the subject of UV glass bonding.  
@ glassworkshop-supplies@bohle.de  
+49 (0) 2129 5568 901



**Vacuum technology:**  
For all matters concerning suction lifters, lifting systems and fastening aids.  
@ vacuumtechnology@bohle.de  
+49 (0) 2129 5568 851



**Orders:**  
If you have any questions about existing orders or new orders you are in the right place!  
@ orders@bohle.de  
+49 (0) 2129 5568 301

# Index

## A

Acrylic threshold	223
Adjustable angle connector, glass-glass/wall 45-180°	46, 130, 147
Aqua / Aqua light	
door connection profile for fixed glazing, 8 mm	123
additional profile for wall connection for fixed glazing, 6 mm	122
shower door hinge, glass-wall 90°	121
profile set for wall and door connection, 8 mm	123
shower door hinge, glass-wall 90°	121
wall connection profile for fixed glazing, 8 mm	122
Aqua Drill wet drilling machine	257
Art angle connector	
glass-glass 90°	107
glass-wall 90°	106
Art shower door hinge	102
glass-glass 180°	105
glass-wall 90°, both sides wall mounted	104
glass-wall 90°, one side wall mounted	103
Arta shower door hinge	140
glass-glass 135°, DIN left	143
glass-glass 135°, DIN right	144
glass-glass 180°, DIN left	145
glass-glass 180°, DIN right	146
glass-wall 90°, DIN left	141
glass-wall 90°, DIN right	142
Avila angle connector	
glass-glass 90°	139
glass-wall 90°	138
Avila shower door hinge	134
glass-glass 180°	137
glass-wall 90°	135
glass-wall 90°, opening inwards	136

## B

Barcelona angle connector	
glass-glass 90°	87, 92
glass-wall 90°	86, 91
Barcelona Select shower door hinge	80
glass-glass 135°	84
glass-glass 180°	85
glass-glass 90°	83
glass-wall 90°, both sides wall mounted	82
glass-wall 90°, one side wall mounted	81
Barcelona shower door hinge	88
glass-glass 180°	90
glass-wall 90°, both sides wall mounted	89
glass-wall 90°, one side wall mounted	88
Bath attachment profile	
90°	225
magnetic rail support	225
Bilbao angle connector	
glass-glass 90°	71, 78
glass-wall 90°	68, 76

Bilbao connector, glass-wall 90°	69, 77
Bilbao Premium	56
angle connector, glass-wall 90°	60
HD angle connector, glass-wall 90°	59
Bilbao Premium HD shower door hinge	56
glass-glass 180°	54
glass-wall 90°, both sides wall mounted	52
glass-wall 90°, one side wall mounted	53
Bilbao Premium shower door hinge	56
glass-glass 180°	58
glass-glass 90°	57
glass-wall 90°, both sides wall mounted	55
glass-wall 90°, one side wall mounted	56
Bilbao Select angle connector	
glass-glass 90°	70
glass-wall 90°	67
Bilbao Select shower door hinge	61
glass-glass 135°	65
glass-glass 180°	66
glass-glass 90°	64
glass-wall 90°, both sides wall mounted	62
glass-wall 90°, one side wall mounted	63
Bilbao shower door hinge	73
glass-glass 180°	75
glass-wall 90°, both sides wall mounted	74
glass-wall 90°, one side wall mounted	73
Bilbao side connector, glass-glass 180°	72, 79
BriteGuard®	
Limescale Remover	276
Pro	276

## C

Cartridge gun H40+	268
Centre profile H	253
Ceramic diamond hollow drill	257
Cleaning paper, 4-ply	274
Complete set Glazing block transparent in case	266
Corner connector Round 19	181
COX EasiFlow™ cartridge gun	268

## D

Door stop for retrofitting	
glass-glass 180°, DIN left	205
glass-glass 180°, DIN right	206
glass-glass 90°, DIN left	204
glass-glass 90°, DIN right	204
glass-wall 90°	203
Drilling aid	
adjustable	258
for pin drill	258
template with water supply / water collection drain	258

# E

Eccentric disc	244
Economy wood glazing shovel	266
Edge profile L	253
End cap set	
left and right and 90° corner	224
mirror profile	251
U-profiles	230

# G

Glass Cleaner	
Premium	273
Professional	273
Glass connector	
Round 12	173
Round 12, for glass hole	173
Round 19, ceiling connection	180
Round 19, high version, with through-hole	179
Round 19, with through-hole	179
Square 12	184
Square 12, for drilled glass	184
Square 15, end piece	188
Square 15, with through-opening	189
Glazing block	
transparent	265
transparent plastic, complete set	266
Glazing shovel	
plastic with wooden handle	267
Premium plastic	267
Premium Plastic with Wooden Handle XL	267
Granada angle connector	
glass-glass 90°	100
glass-wall 90°	99
Granada connector, glass-wall 90°	101
Granada shower door hinge	93
glass-glass 135°	97
glass-glass 180°	98
glass-glass 90°	96
glass-wall 90°, both sides wall mounted	95
glass-wall 90°, one side wall mounted	94

# H

Holding magnet	244
----------------	-----

# J

Joint Trowel Set	
Duplex Angle	269
Duplex Radii	269

Juna® angle connector	
glass wall 90°	37
glass-glass 135°	39
glass-glass 90°	38
Juna® shower door hinge	30
glass-glass 135°	34
glass-glass 180°	35
glass-glass 180° for saunas	36
glass-glass 90°	33
glass-wall 90°	31
glass-wall 90° for saunas	32

# K

KGS® Flexis® diamond hand grinding pad	265
--	-----

# L

Lugo FM angle connector	
glass-glass 90°	155
glass-wall 90°	154
Lugo FM shower door hinge	149
glass-glass 180°, DIN left	152
glass-glass 180°, DIN right	153
glass-wall 90°, DIN left	150
glass-wall 90°, DIN right	151

# M

Madrid angle connector	
glass-glass 90°	131
glass-wall 90°	130
Madrid shower door hinge	125
glass-glass 135-180°	128
glass-wall 180°	129
glass-wall 90°	126
glass-wall 90°, opening inwards	127
Madrid side connector, glass-glass/ -wall 180°	132
Magnetic strip support recess solution	226
MasterTrack® ST	159
carriage pair	162
corner connector for running track	166
corner connector for threshold	167
floor guide	163
Glazing Blocks Accessory Set	163
Mounting Set Glass	166
Profile Set	164
retractable damper	162
sliding door set corner shower	161
sliding door set recess shower	160
Stopper	162
Threshold	167
wall mounting set	165
Microfibre cloths	
Economy	275
Premium	275

Mirror clips,	
reinforced version	243
with spring	243
Mirror heater	254
Mirror plate	
bevelled, self-adhesive	242
with one eyelet	243
with one eyelet, self-adhesive	242
Mirror profile	250
clip-on	250
J	252
L	252
Mirror rail	251
Mirror screws	
pointed	246
with rotatable head	246
Mounting plate	244

## P

Paper towel	274
industrial quality	274
Plan Artist FM angle connector	
glass-glass 135°	119
glass-glass 90°	118
glass-wall 90°	117
Plan Artist FM shower door hinge	108
glass-glass 135°, DIN left	113
glass-glass 135°, DIN right	114
glass-glass 180°, DIN left	115
glass-glass 180°, DIN right	116
glass-glass 90°, DIN left	111
glass-glass 90°, DIN right	112
glass-wall 90°, DIN left	109
glass-wall 90°, DIN right	110
Plinto spacer	
adjustable from 13 to 20 millimetres	245
adjustable from 8 to 12 millimetres	245
Protective sleeve	247
Pump suction lifter Veribor®, aluminium	262

## R

Reinforcement bar	
Round 12	171
Round 19	177
Square 12	183
Square 15	187
Reinforcement bar set	
Round 12, glass-wall	170
Round 19, glass-wall 45°	175
Round 19, glass-wall 90°	174, 176
Square 12, glass-wall	182
Square 15, glass-wall 90°	186

## S

safeclix® 08	
Distance mirror mounting set	239
mirror mounting set	238
safeclix® 16	
Distance mirror mounting set	240
mirror mounting set	238
safeclix® 24 mirror mounting set	239
safefix® 08 mirror mounting set	240
safemax® 08 mirror mounting set	241
safemax® 16 mirror mounting set	241
Santos angle connector	
glass-glass 135°	49
glass-glass 90°	48
glass-wall 90°	46
Santos connector, glass-wall 90°	47
Santos shower door hinge	40
glass-glass 135°	45
glass-glass 180°	44
glass-glass 90°	43
glass-wall 180°	42
glass-wall 90°	41
Santos side connector, glass-glass/wall 180°	50
Sauna doorknob RK009	195
Self-adhesive shower door seal	
with bellows	220
with lateral sealing lip	222
with lower bellows	221
with magnet 180° for single-action doors	220
magnet 90° for hinged door	219
water deflector and bellows	221
Shower door handle	
RH001	197
RH002	198
RH003	198
RH004	198
self-adhesive one-sided	199
SH001	199
SH002	199
Shower door seal	
with 180° front stop	213
with 90° corner stop	209
with bellows	214
with bellows for 8 mm glass	214
with long sealing lip	210
with long water deflector	211
with lower sealing lip	212
with lower sealing lip and water deflector	215
with magnet 135°	218
with magnet 180° for single-action doors	217
with magnet 180° for swing doors	217
with magnet 90° for single-action doors	216
with magnet 90° for swing doors	215
with open sealing lip	210
with short sealing lip	208
with short water deflector	211
with side sealing lip	212
with water deflector and lower bellows	213
Shower Doorknob	
RK001	191
RK002	191
RK003	192

RK004	192
RK005	193
RK006	193
RK007, with buffer on both sides	194
RK007, with buffer on one side	194
RK008	195
SK001	196
SK002	196
SK003	197
Shower Squeegee Economy	273
Skimming spatula	269
Soudal Primer 150	249
Spacer	247, 248
Special cleaner	272
Suction lifter Veribor®, plastic 2-cup	263
Support profile for shower door sealing strips	224

## T

Telescopic reinforcement bar set Round 19, glass-wall 90°	177
Three-point connector	
Round 12	172
Round 19	181
Square 12	185
Square 15	189
Threshold aluminium	222
Towel hook	
one hook	200
two hooks	201
Triangular connector Round 19, with glass connection, adjustable	180

## U

U-profile	
10 x 10 mm	227
15 x 15 mm	228
15 x 15 mm, stainless steel	228
20 x 13 mm	229
20 x 15 mm	230
20 x 17 mm	231
20 x 20 mm	232
20 x 20 mm, stainless steel	232
30 x 20 mm	233
40 x 20 mm	233

## V

Veribor®	
Aluminium Suction Lifter 3-Cup	263
battery-powered suction lifter, plastic	262
pump suction lifter, plastic	262
seaming tool	263
VetroLevel suction cup with integrated spirit level	264
Vigo Walk-In shower, complete set	157
Vigo Walk-In, floor bonding plate	158
Vulkollan® scraper filler	268

## W

Wall connector	
Round 12, adjustable	171
Round 19, adjustable	178
Round 12	172
Round 19	178
Square 12	183
Square 15	188
Square 15, adjustable	187
Water feed chuck	
for 43 mm diameter collar	259
with mounting shaft	259
Water pressure tank 12 l	259
Wood screws	247

## X

XtraClean	272
XtraColl®	
applicator	270
applicator extension inlay	270
double-sided adhesive tape, passivated edge	270
Xtragrip®	
mirror adhesive MS Polymer	249
mirror Adhesive Silicone	249
Xtramount® mirror tape	248



# Legal Notice

## Imprint

**Bohle Ltd.**  
Fifth Avenue  
Tameside Park  
Dukinfield  
Cheshire, SK16 4PP

T +44 161 3421100

### Parent Company

Bohle AG  
Dieselstr. 10  
42781 Haan, Germany

T +49 2129 5568-0

District court Wuppertal  
German Trade Register No.: HRB 14146  
VAT no. DE215382266

### Corporate Management

Arne Klöfkorn  
Dr. Thorsten Böllinghaus

### Chairman of Supervisory Board

Dr. Mathias Turwitt

<https://www.bohle.com/uk-EN/legal-notice/>

**Bohle AG**  
Dieselstraße 10  
42781 Haan

T +49 2129 5568-0

info@bohle.de  
www.bohle.com

District court Wuppertal  
German Trade Register No.: HRB 14146  
VAT no.: DE215382266

### Corporate Management

Arne Klöfkorn  
Dr. Thorsten Böllinghaus

### Chairman of Supervisory Board

Dr. Mathias Turwitt

<https://www.bohle.com/worldwide-en/disclaimer/legal-notice/>

## GTC (general purchasing conditions)



## Frequently asked questions



## Copyright

All texts, images, graphics, animations, videos, sounds and other contents of this catalogue and their arrangement are protected by copyright and other protective laws. No reproduction, modification or use of the aforementioned content in other electronic or printed publications is permitted without the prior consent of Bohle AG. Unless otherwise indicated, all trademarks are protected by trademark law, in particular Bohle trademarks, logos, emblems and type plates. The patents and trademarks presented on this website are the intellectual property of Bohle AG.

## In regard to this catalogue

Colour deviations due to printing are possible. Bohle AG is not liable for printing errors and mistakes in this catalogue. Industrial property rights, such as patents, utility models or design patents - also from third parties - are registered or pending for numerous articles. © Copyright by Bohle - This catalogue is protected by copyright in all parts (texts, images, etc.). Any use outside the strict limits of copyright law is not permitted without the written permission of Bohle AG. This applies in particular to reprints, reproductions, translations, microfilming and storage and processing in electronic systems.

Date of printing July 2024









Bohle Ltd.  
Fifth Avenue  
Tameside Park  
Dukinfield  
Cheshire · SK16 4PP

T 0800 616151 (freephone)  
T +44 161 3421100  
F +44 161 3440111

info@bohle.ltd.uk

Bohle AG - Head Office  
Dieselstraße 10  
42781 Haan  
Germany

T +49 (0) 2129 5568-951

hardware@bohle.de

 Bohle

[www.bohle.com](http://www.bohle.com)

KA 126EN00 - 2024-9140 - UK - HI 1.7