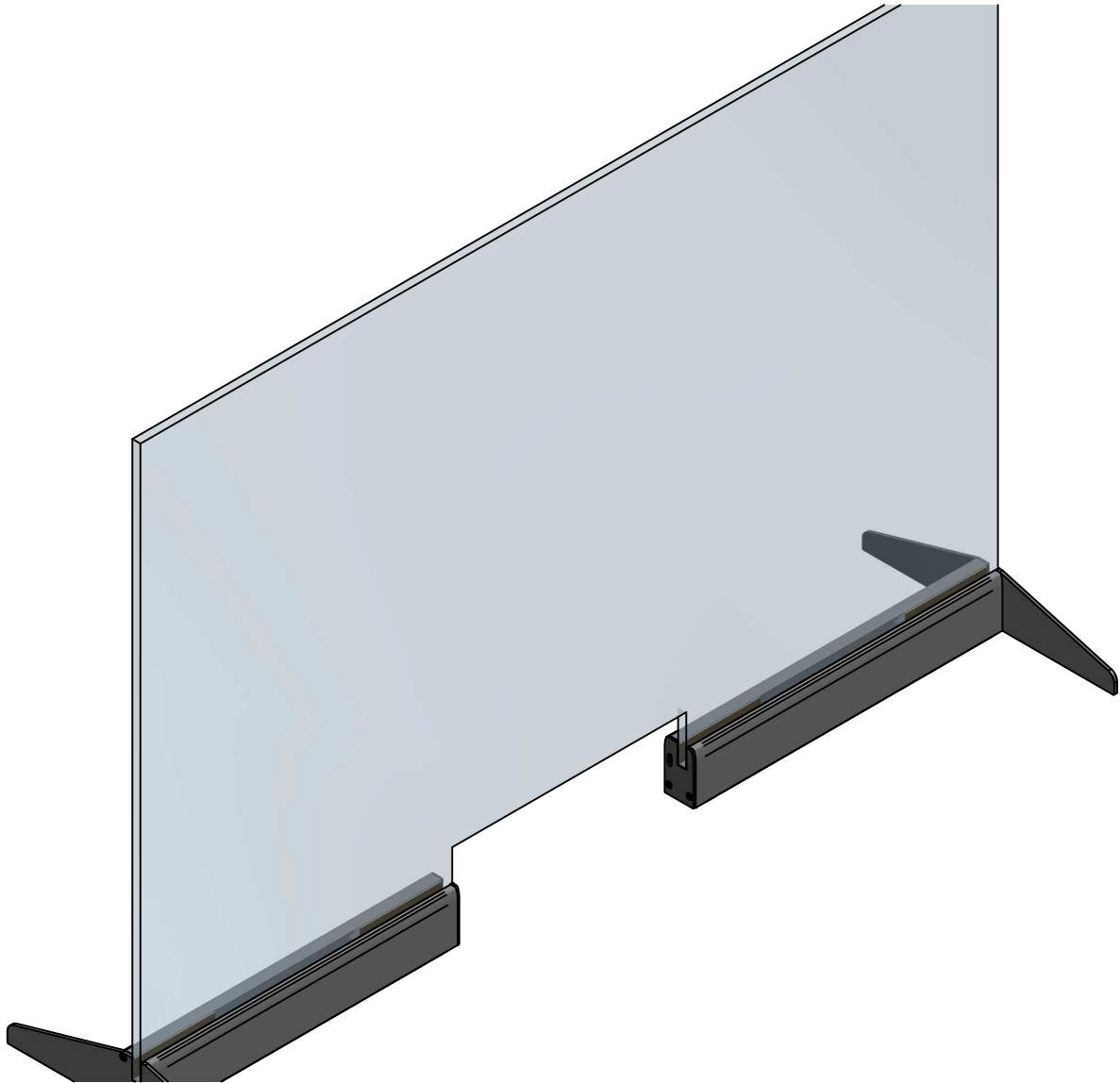


Bohle Screen Protector 1- Installation Instructions



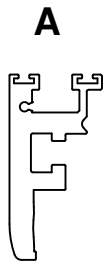
Bohle America, Inc
10924 Granite St. Suite 200
Charlotte, NC 28273
T +1 704 247 8400
sales@bohle-america.com
www.bohle-america.com

Scan to View the
Installation Video:



Required glass thickness	3/8" tempered / laminated
Side support dimensions	10" x 1/4" x 2" (L x W x H)
Base extrusion dimensions	12-13/16" x 1-1/8" x 2" (L x W x H)
Maximum glass size	40" x 36" (L x H)
Recommended cut-out	9" x 3" (L x H)

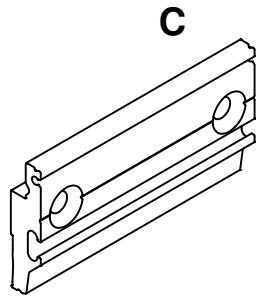
Fastening of support legs to the counter top surface to avoid accident is recommended. Use a suitable anchor or mounting bracket (not supplied in kit).



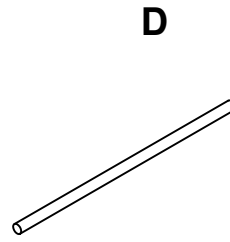
x2



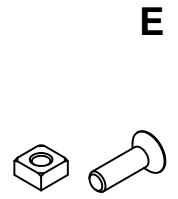
x2



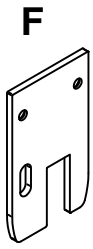
x4



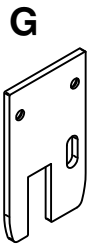
x4



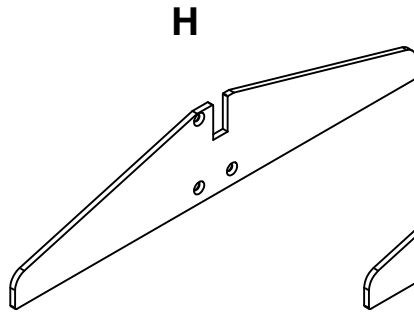
x8



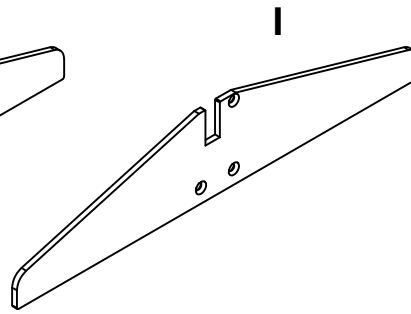
x1



x1



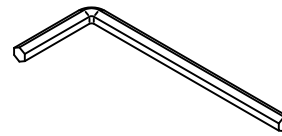
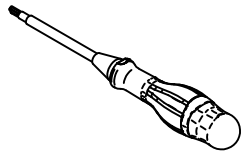
x1



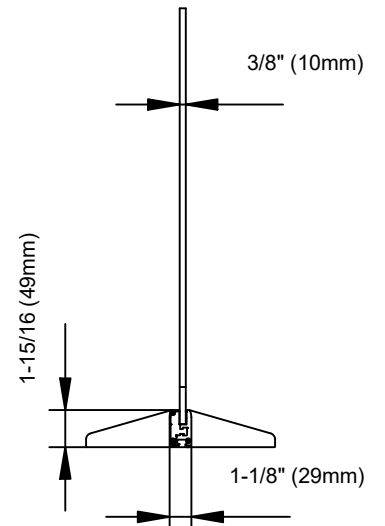
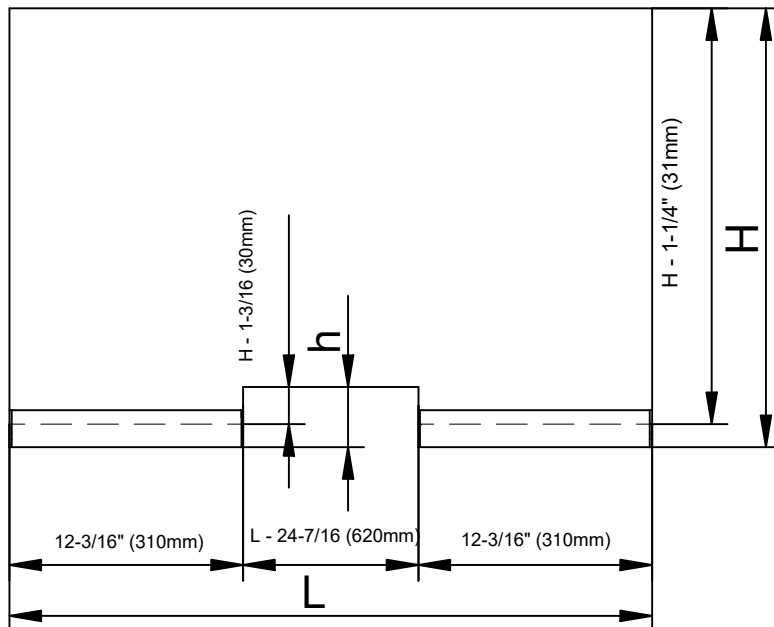
x1



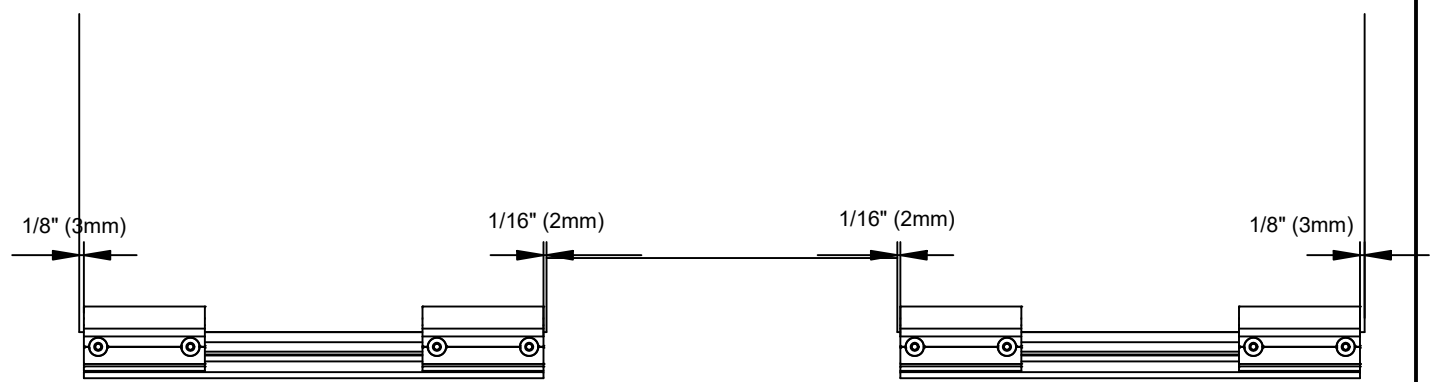
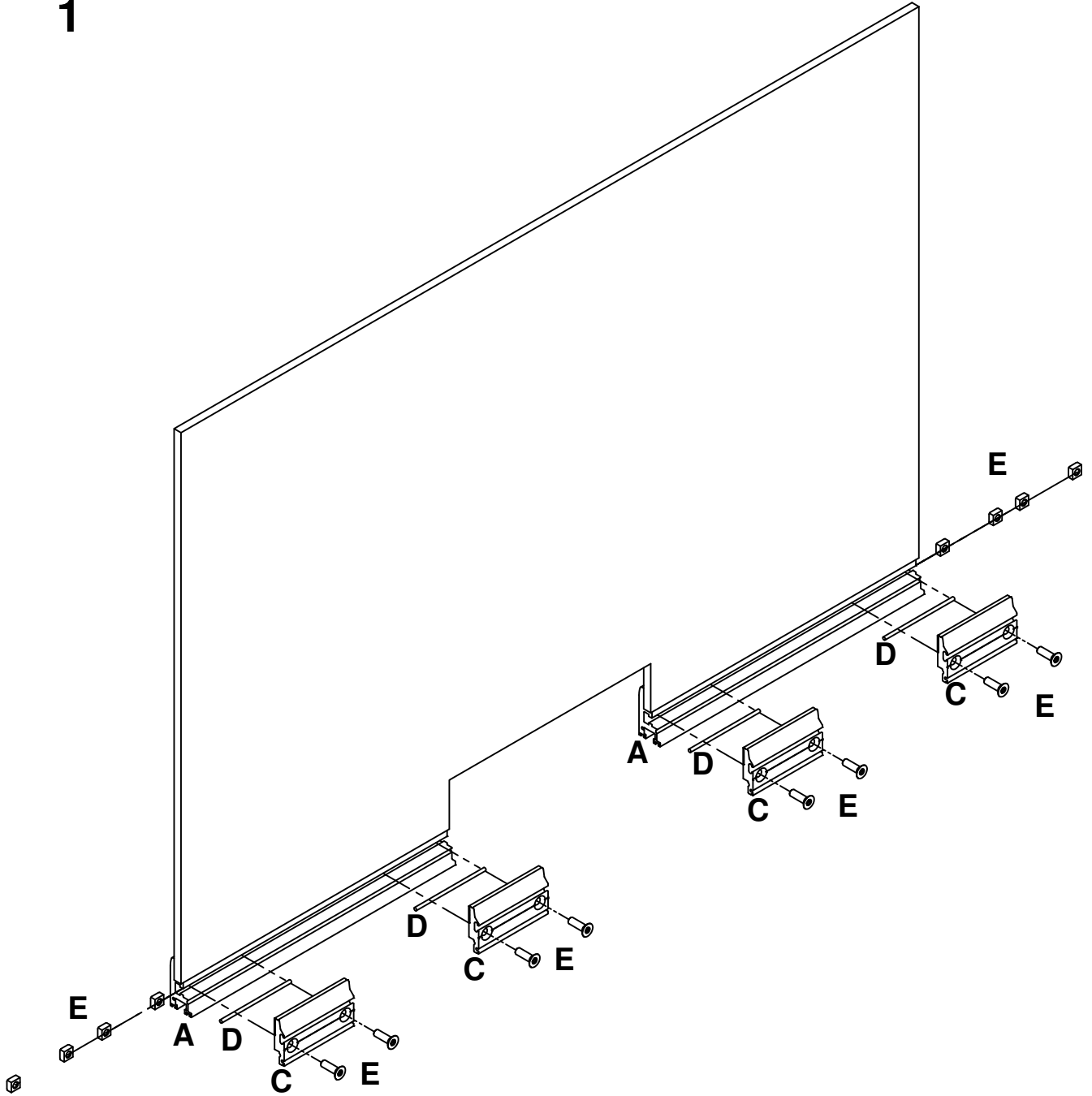
x10



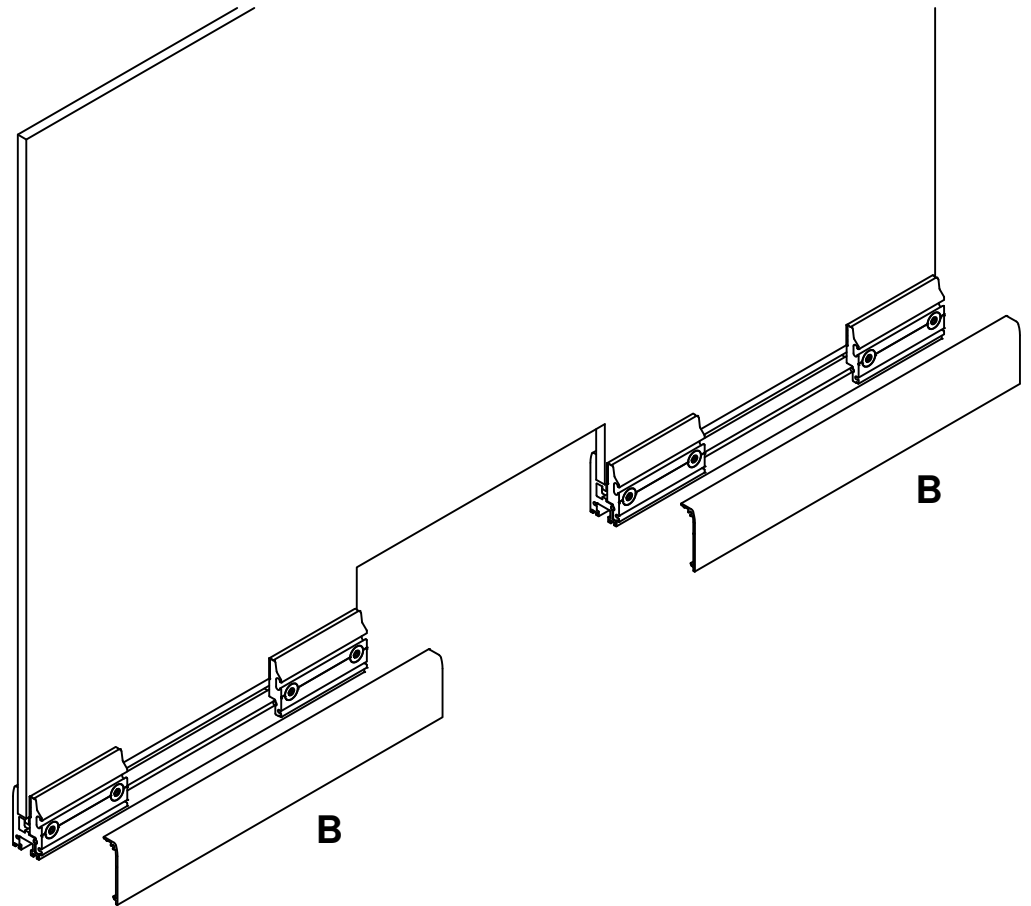
4MM



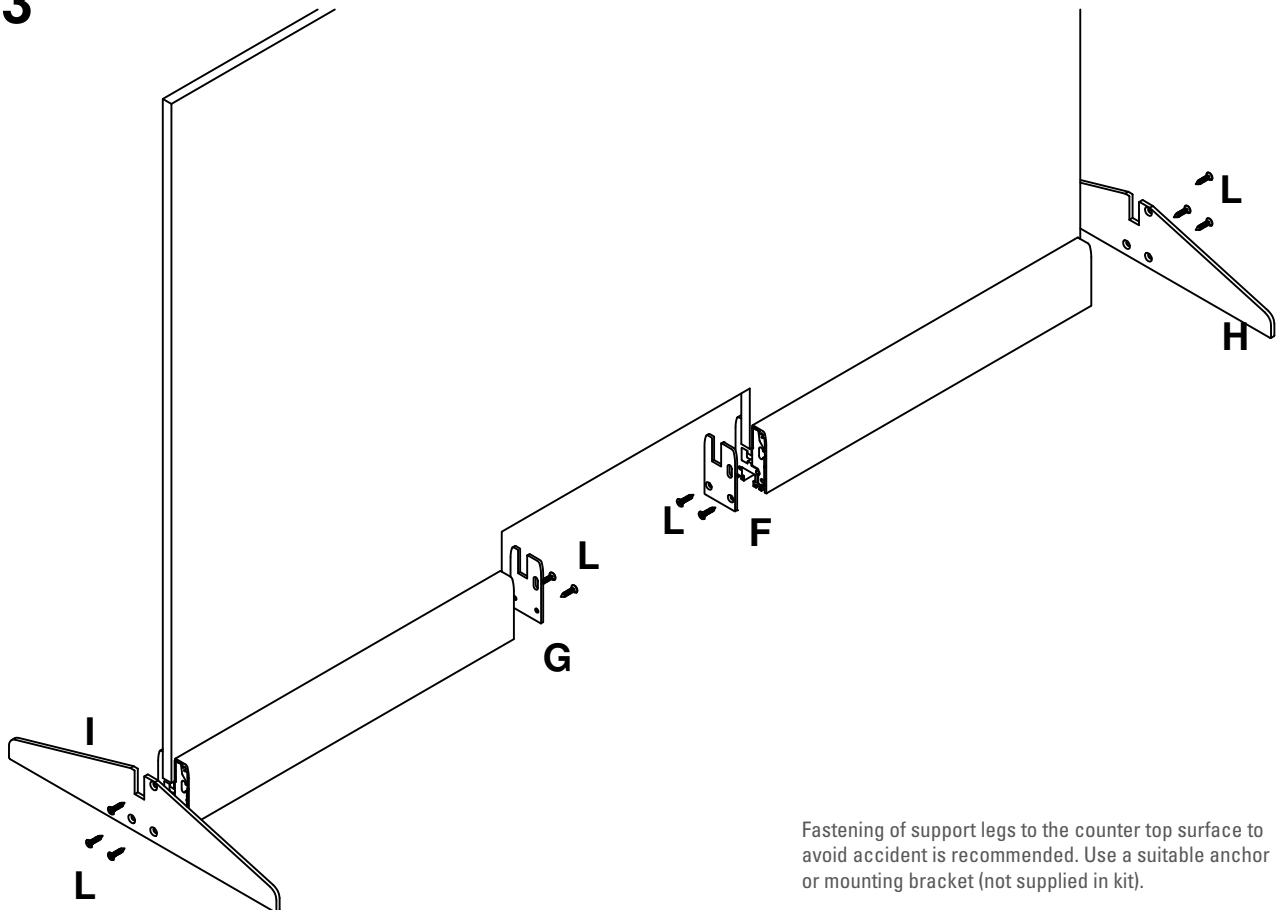
1



2



3



Fastening of support legs to the counter top surface to avoid accident is recommended. Use a suitable anchor or mounting bracket (not supplied in kit).