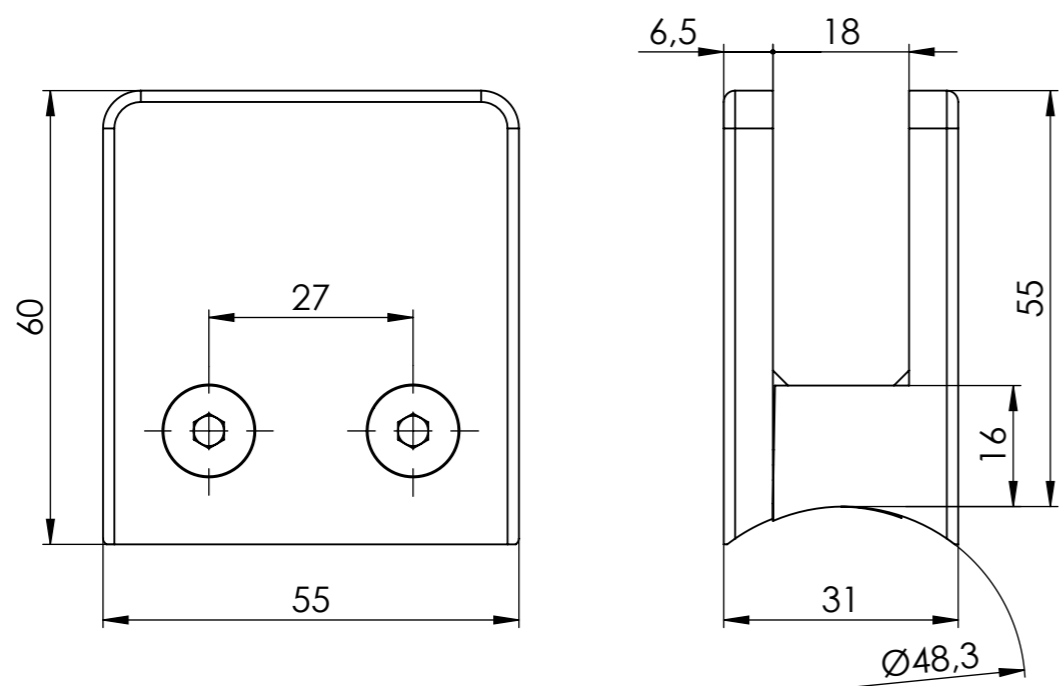
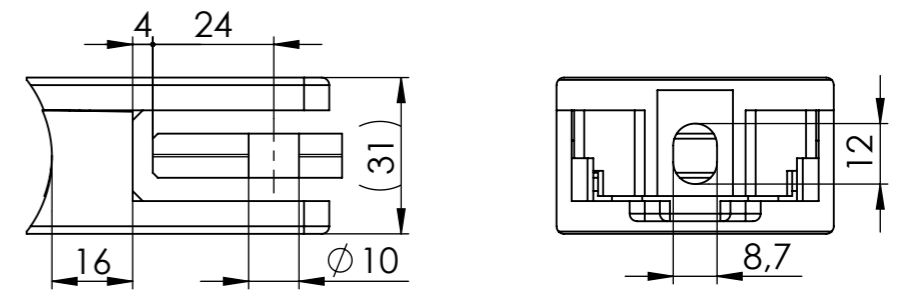


B40		
Art.-No.	Finish	Material (x)
BO 8740516	polished	stainless steel V4A
BO 8740555	brushed	stainless steel V4A
BO 8740955	brushed	stainless steel V2A

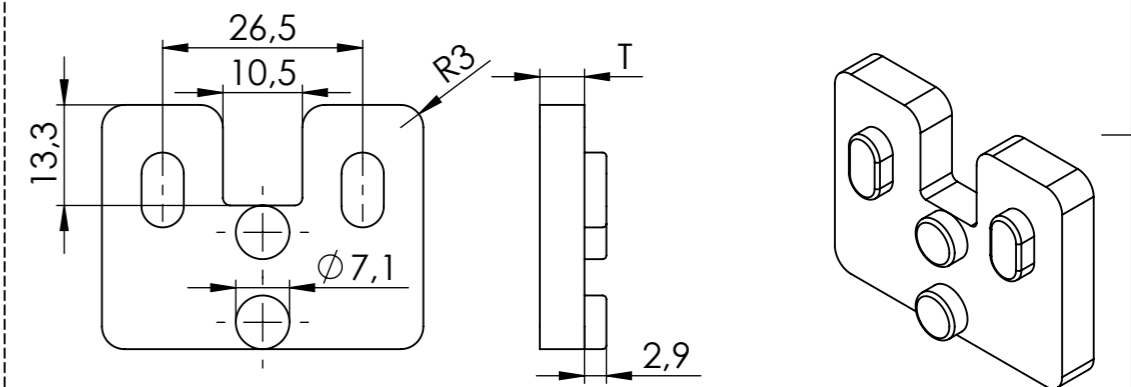
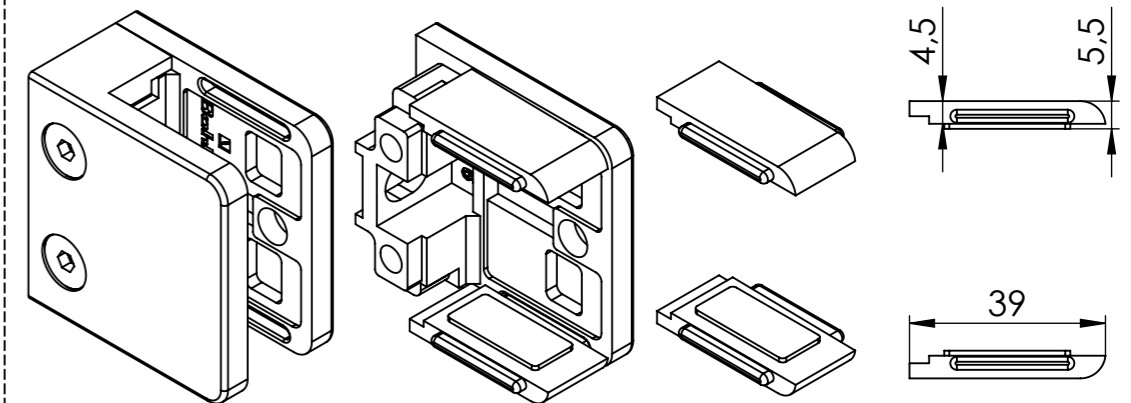


B42		
Art.-No.	Finish	Material (x)
BO 8742516	polished	stainless steel V4A
BO 8742555	brushed	stainless steel V4A
BO 8742955	brushed	stainless steel V2A

Glass processing for securing pin (1:1,5)



Securing plates BO 8940001 (1:1,5)



Art.-No.	T	Glass
BO 8840080	5,9mm	8mm
BO 8840090	5,5mm	8,76mm
BO 8840100	4,9mm	10mm
BO 8840110	4,5mm	10,76mm
BO 8840120	3,9mm	12mm
BO 8840130	3,5mm	12,76mm
BO 8840140	3,1mm	13,52mm

Maßstab/Scale: 1:1

Bemerkung/Comment:

Material:

Bezeichnung/Description:

Clamp

B40 B42
55mm x 55mm

Artikelnr./Articleno.:

B40-B42

Index

Blatt/Page

Clamp collection

00-A

1 von 1
A3

Bohle AG · Dieselstraße 10 · D-42781 Haan T +49 2129 5568-0 · info@bohle.de



Bearb.	Datum/Date	Name/Name
	06.09.2021	Geier

Diese Zeichnung darf ohne unsere vorherige schriftliche Zustimmung weder vervielfältigt noch Dritten zur Kenntniss gebracht werden

This drawing may not be reproduced and be brought to the knowledge of any third without our prior written consent.