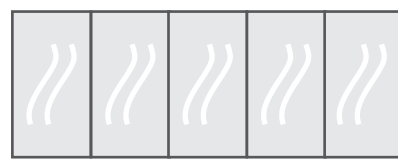
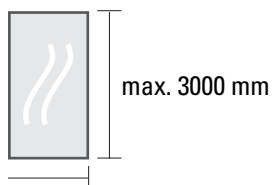
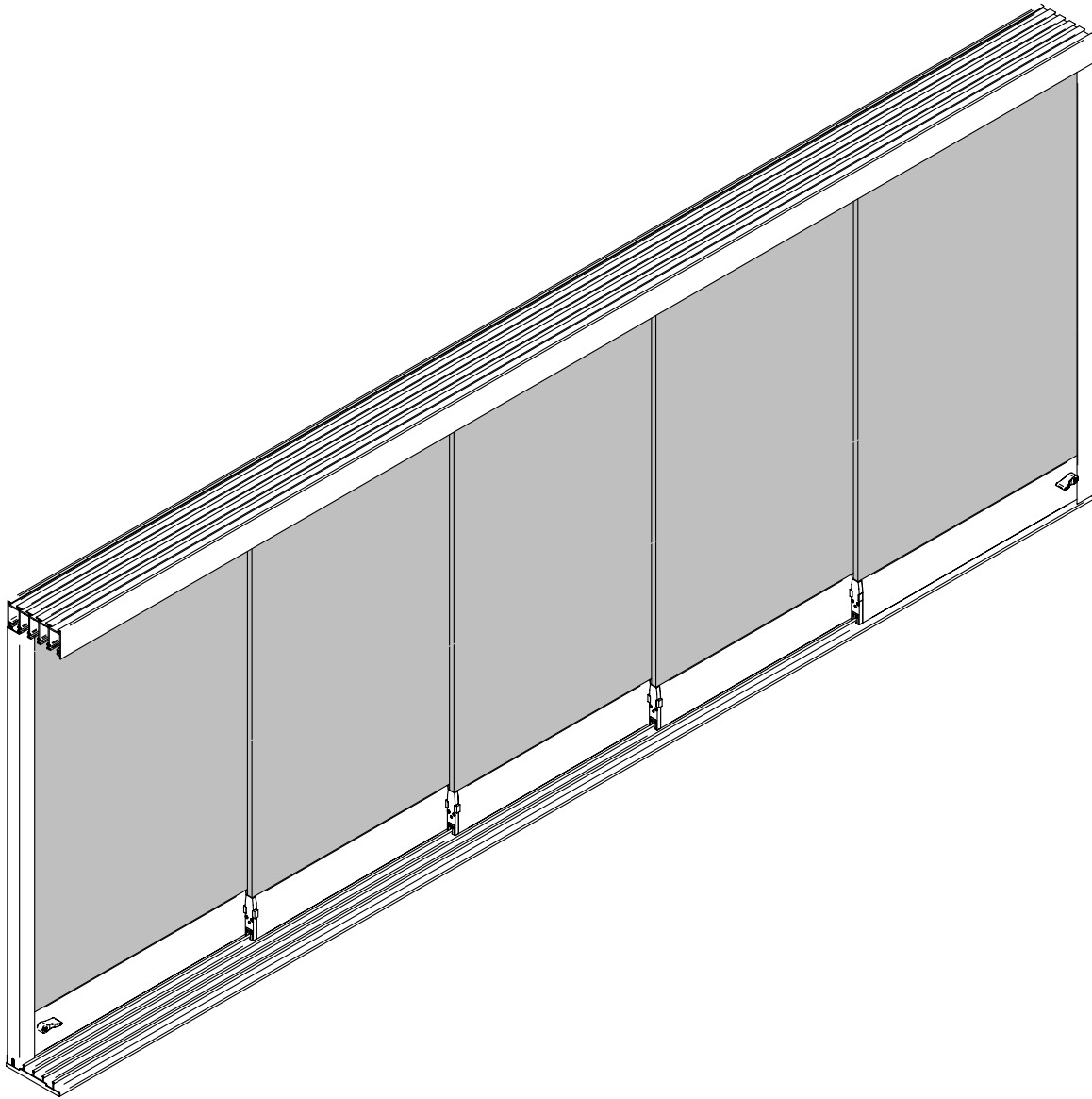
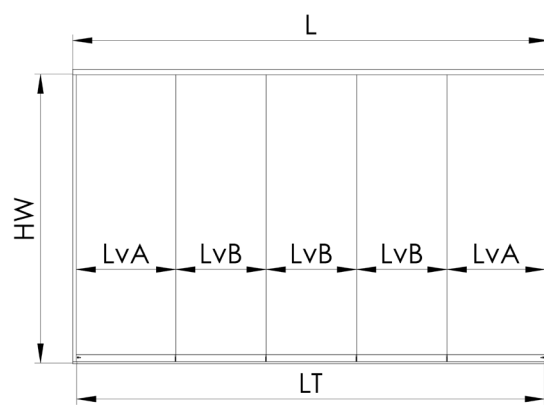
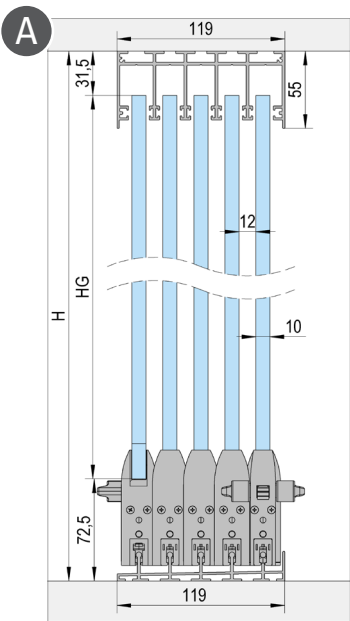


FloorTrack

Montageanleitung · Instruction Manual · Instructions d'installation · Instrucciones de instalación · Istruzioni per l'installazione · Szerelési útmutató · Monteringsanvisning · Installatie-instructies · Инструкция по монтажу

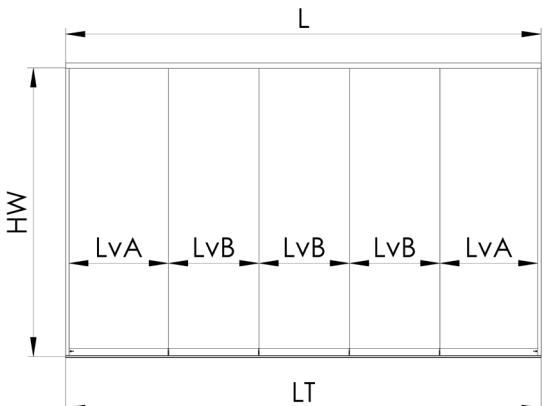
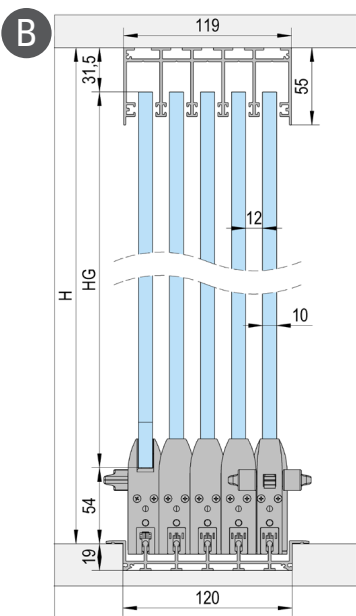


max. 80 kg
max. 176 lbs



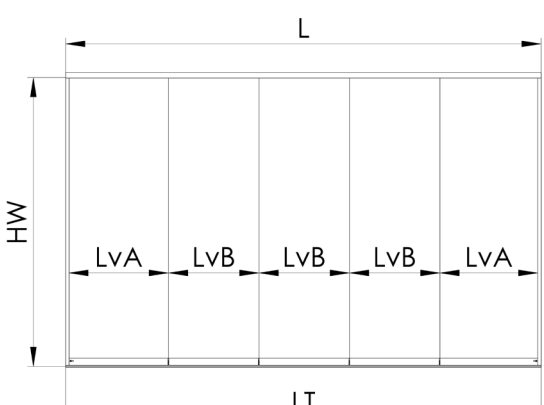
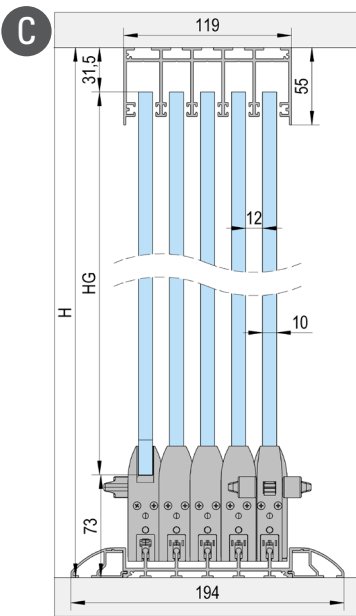
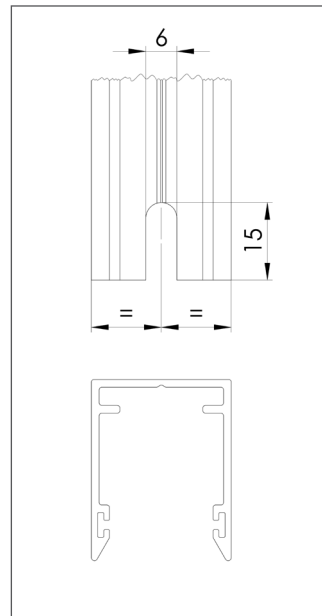
$HG = H - 104$
 $HW = H - 57$
 $LT = L - 80$ (zwei Wandprofile / two wall profiles)
 $LT = L - 40$ (ein Wandprofil / one wall profile)
 $LT = L$ (kein Wandprofil / no wall profile)

$LvB = \frac{L - 162}{N} + 13$
 $LvA = LvB + 55$
 $N = \text{Türanzahl / no. of panels}$



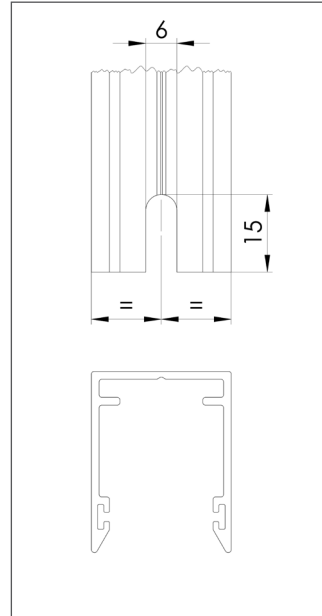
$HG = H - 85,5$
 $HW = H - 38$
 $LT = L$

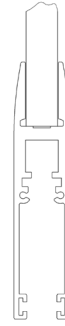
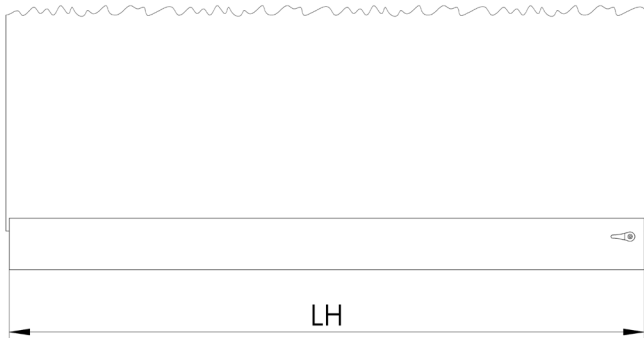
$LvB = \frac{L - 162}{N} + 13$
 $LvA = LvB + 55$
 $N = \text{Türanzahl / no. of panels}$



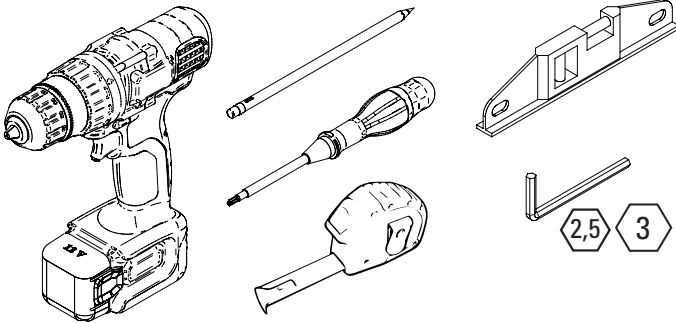
$HG = H - 104,5$
 $HW = H - 57$
 $LT = L$

$LvB = \frac{L - 162}{N} + 13$
 $LvA = LvB + 55$
 $N = \text{Türanzahl / no. of panels}$





LH = LvA - 12	LH = LvB - 12
---------------	---------------



Handle

BO 5113767-69

Glass Cleaner

BO 5107911

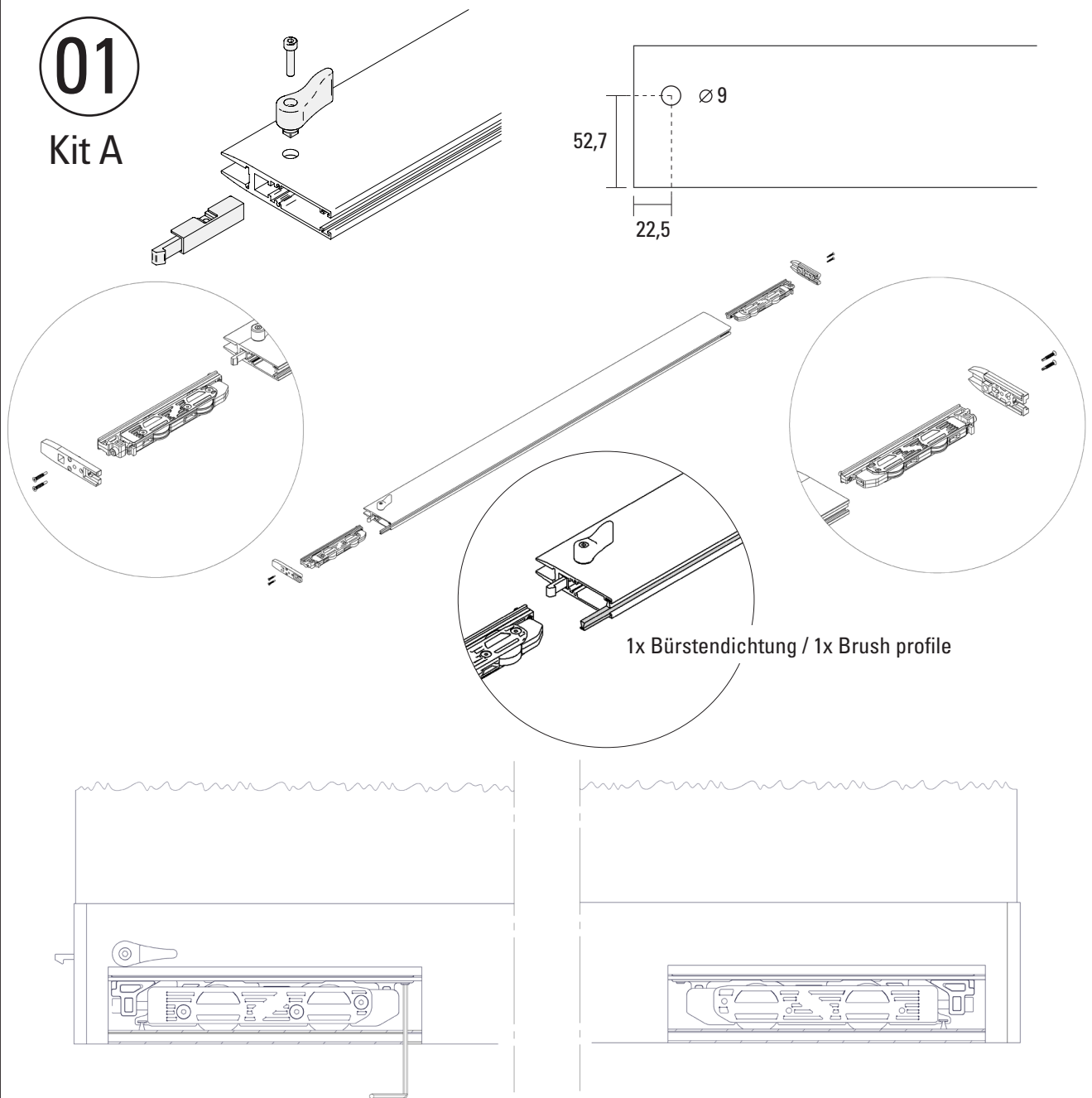
Kit A

Kit B

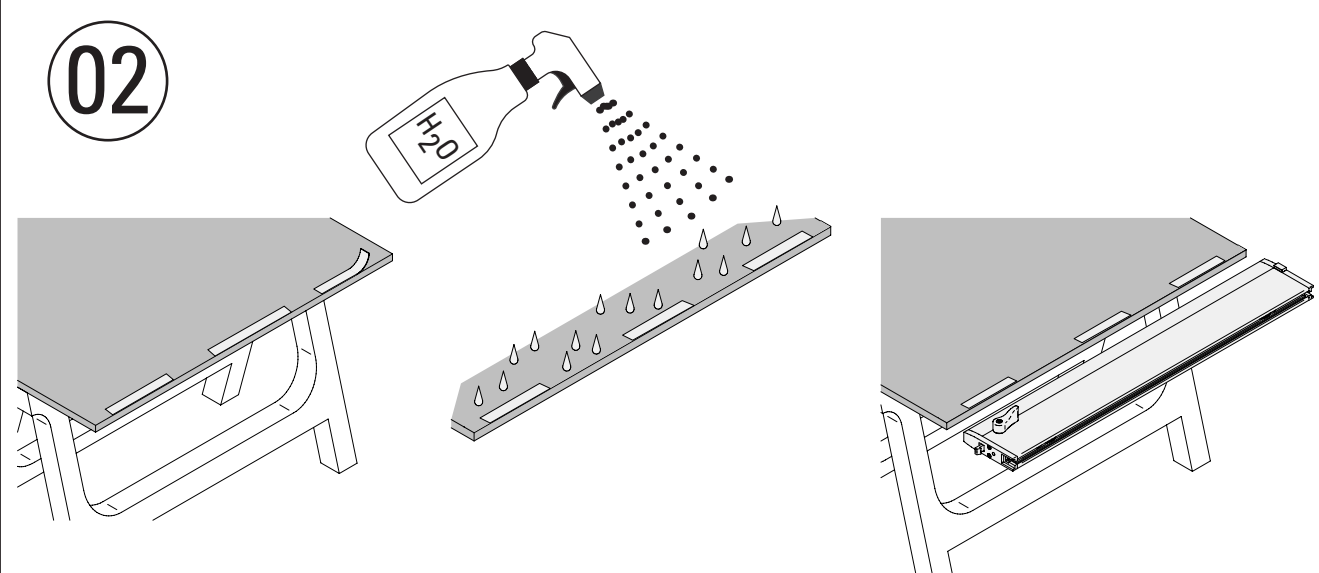
Kit A1

01

Kit A

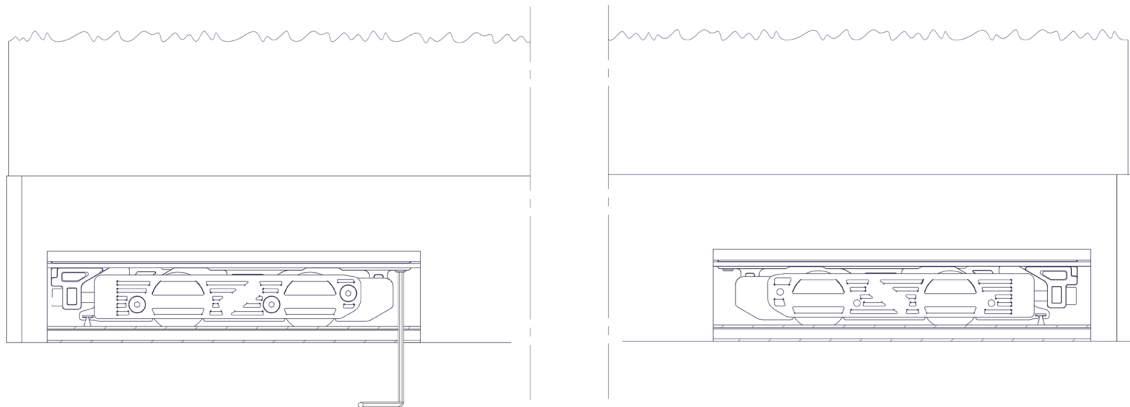
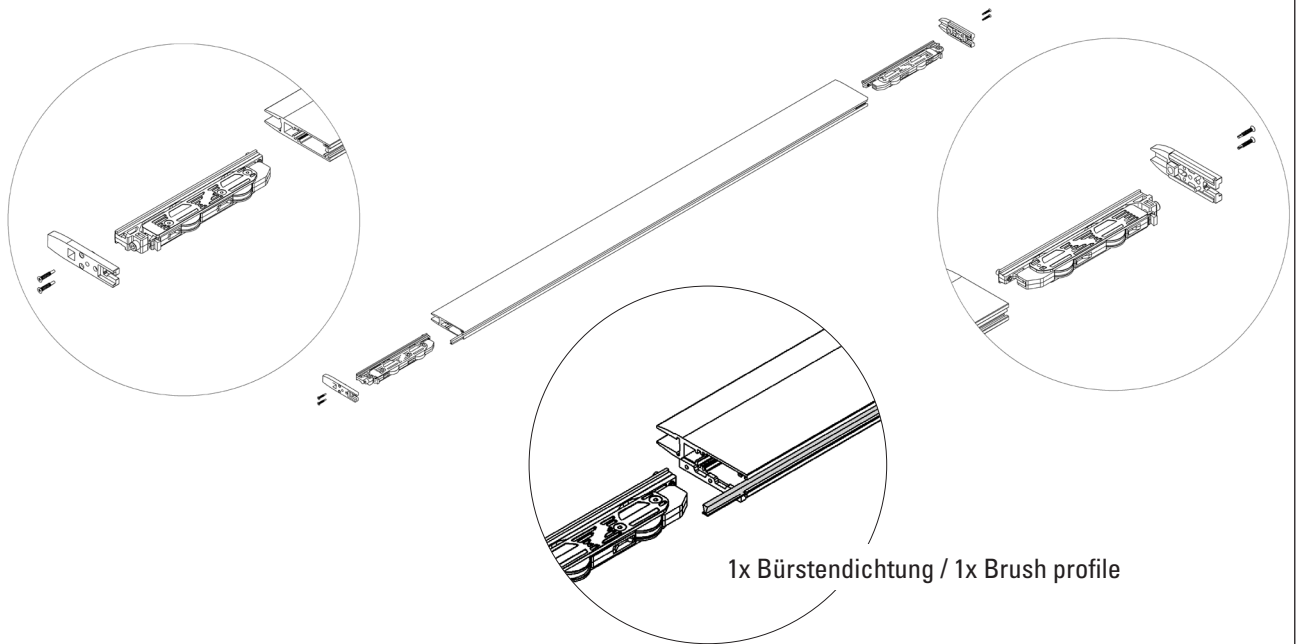


02

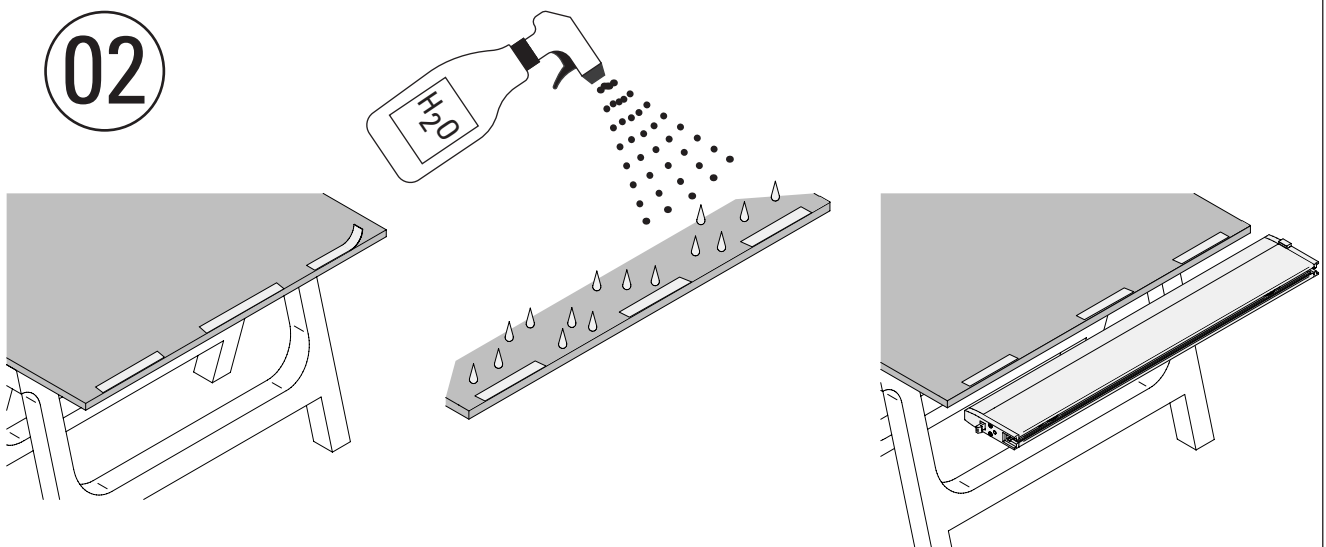


01

Kit A1

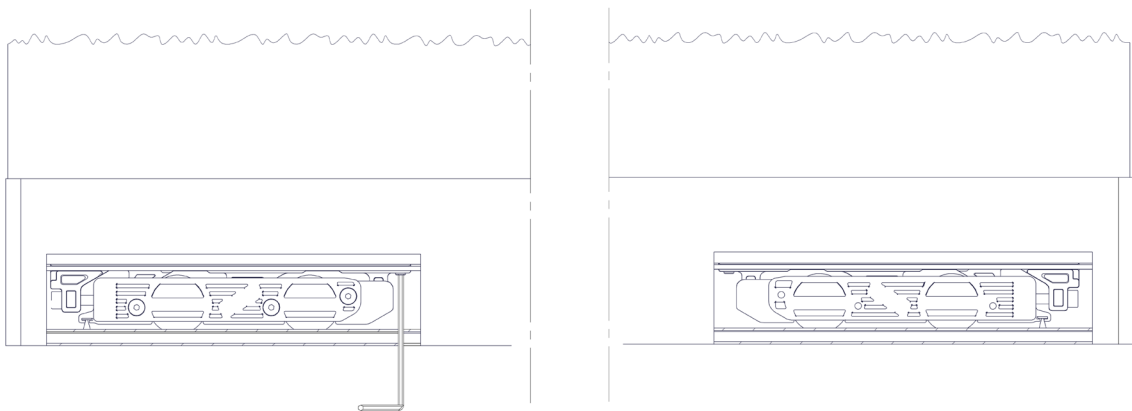
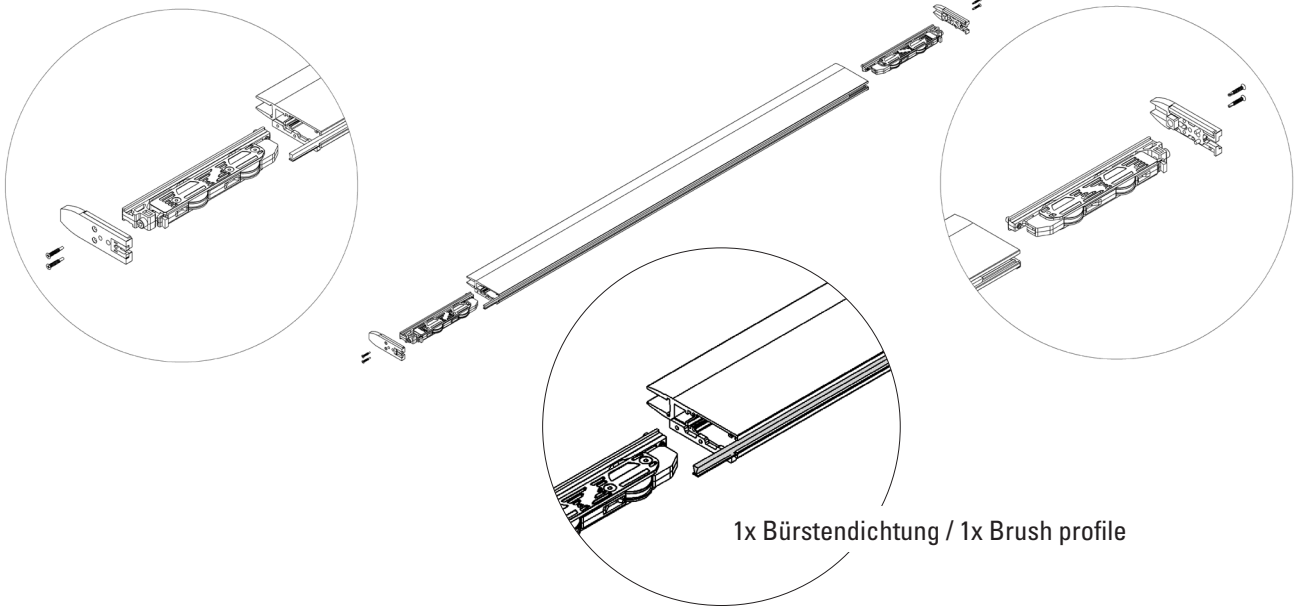


02

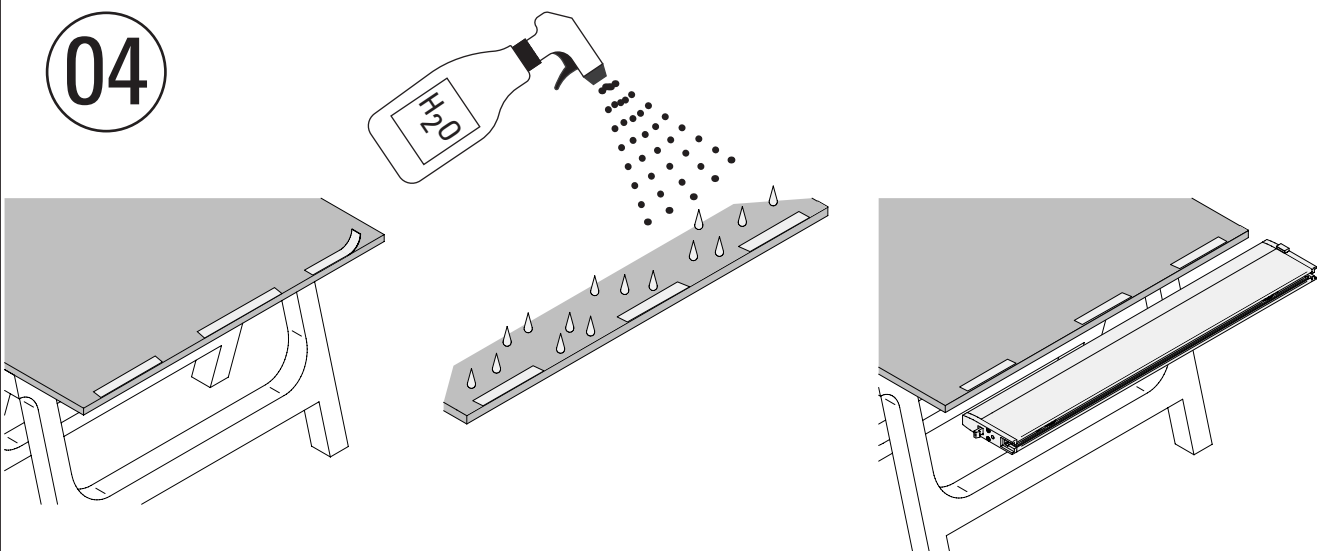


03

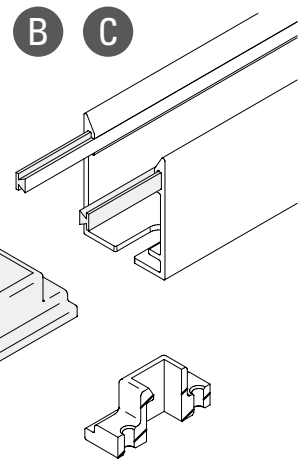
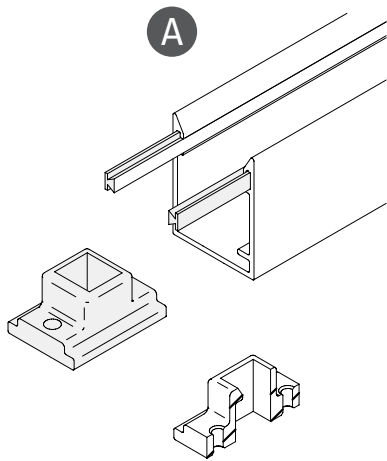
Kit B



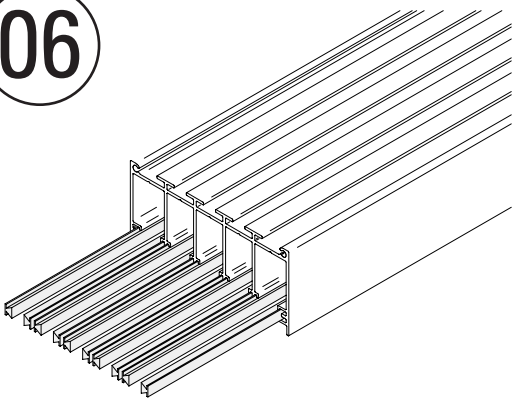
04



05

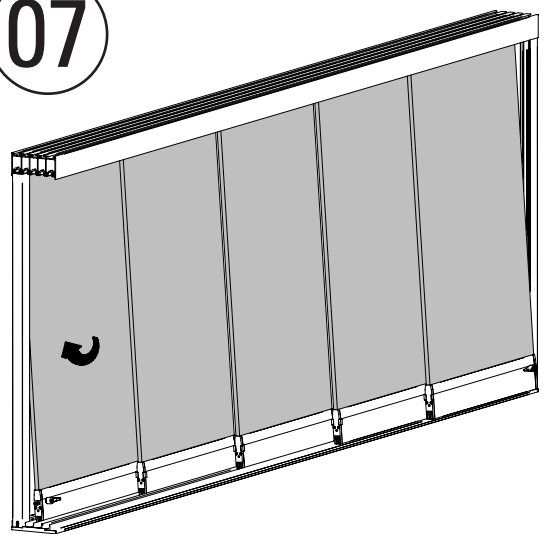


06

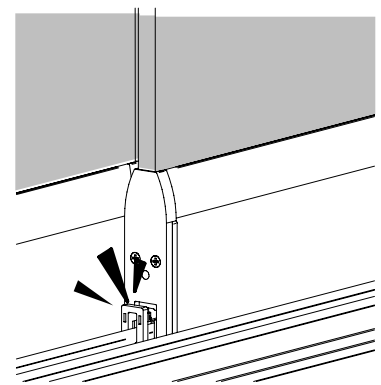
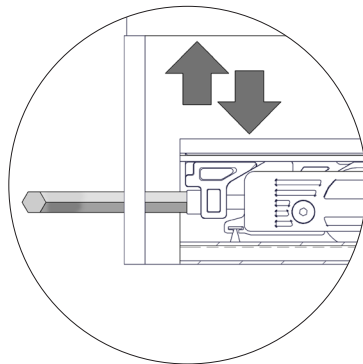
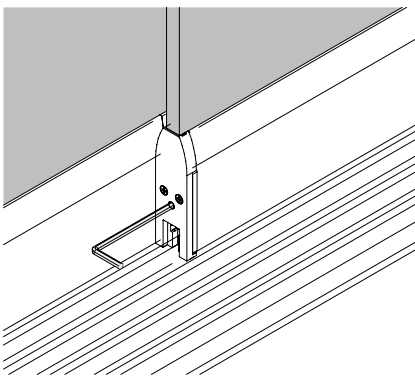


Bürstendichtungen / Brush profiles

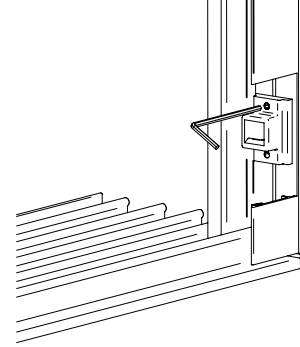
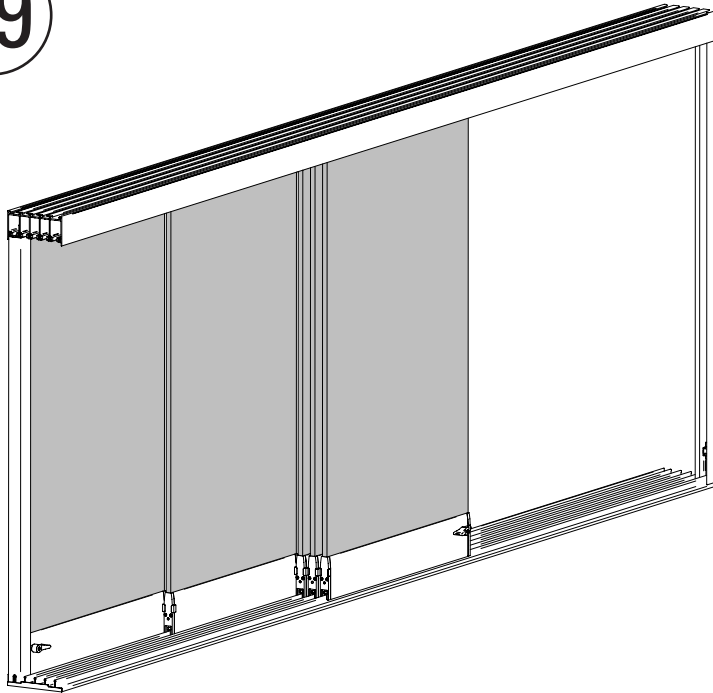
07



08



09



Bohle AG
Dieselstraße 10
42781 Haan

T +49 2129 5568-100

info@bohle.de
www.bohle.com