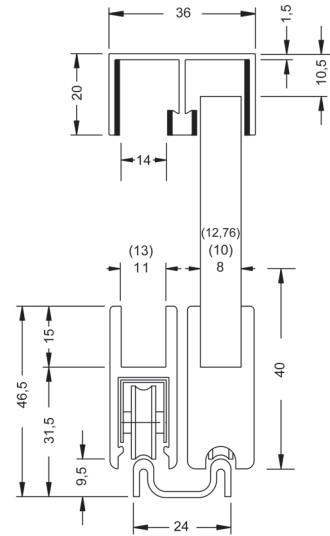
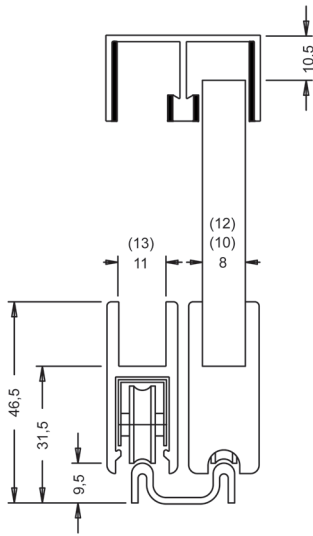


Glass deduction and Profile Calculations

robustus

Glass deduction = installation height - 42 mm (Bedding Profile not included)



L = clear opening · x = length of roller profile · b = door width/glass dimensions · Overlap: 32 mm

