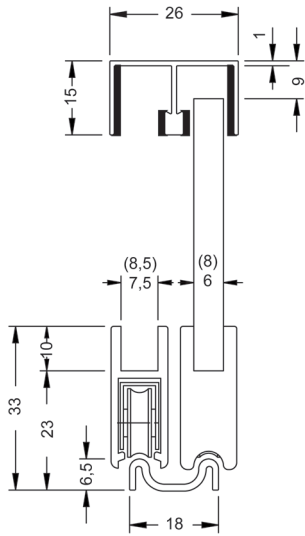


Glass deduction and Profile Calculations

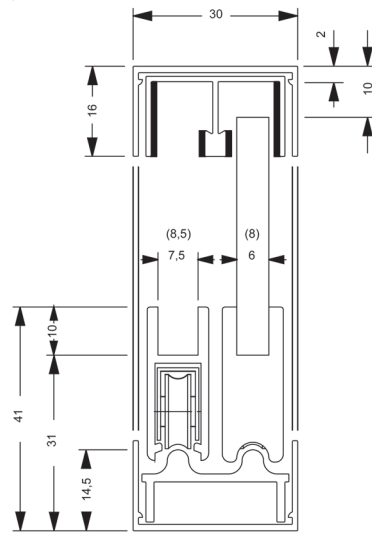
supra

Glass deduction = installation height - 32 mm (Bedding Profile not included)



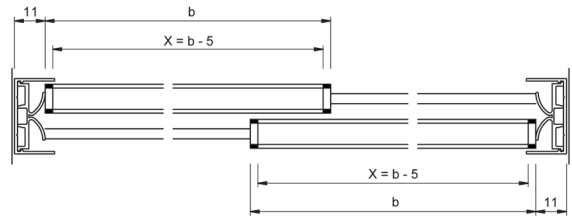
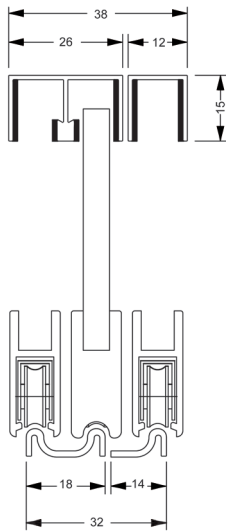
supra with frame profile

Glass deduction = installation height - 41 mm (Bedding Profile not included)



supra with triple track fittings

Glass deduction = installation height - 32 mm (Bedding Profile not included)



L = clear opening · x = length of roller profile · b = door width/glass dimensions · Overlap: 32 mm

